



Chipsmall Limited consists of a professional team with an average of over 10 year of expertise in the distribution of electronic components. Based in Hongkong, we have already established firm and mutual-benefit business relationships with customers from,Europe,America and south Asia,supplying obsolete and hard-to-find components to meet their specific needs.

With the principle of "Quality Parts,Customers Priority,Honest Operation,and Considerate Service",our business mainly focus on the distribution of electronic components. Line cards we deal with include Microchip,ALPS,ROHM,Xilinx,Pulse,ON,Everlight and Freescale. Main products comprise IC,Modules,Potentiometer,IC Socket,Relay,Connector.Our parts cover such applications as commercial,industrial, and automotives areas.

We are looking forward to setting up business relationship with you and hope to provide you with the best service and solution. Let us make a better world for our industry!



Contact us

Tel: +86-755-8981 8866 Fax: +86-755-8427 6832

Email & Skype: info@chipsmall.com Web: www.chipsmall.com

Address: A1208, Overseas Decoration Building, #122 Zhenhua RD., Futian, Shenzhen, China



4

3

2

1

THIS DRAWING IS UNPUBLISHED.

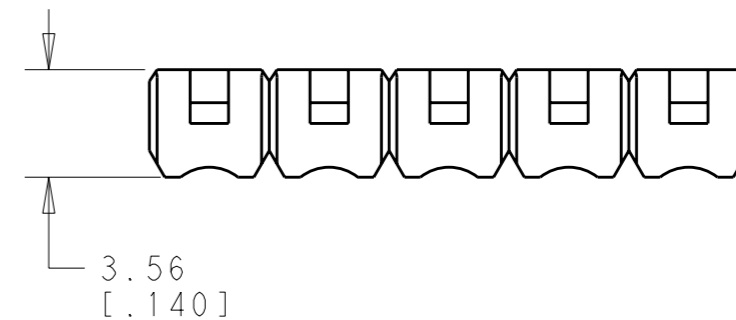
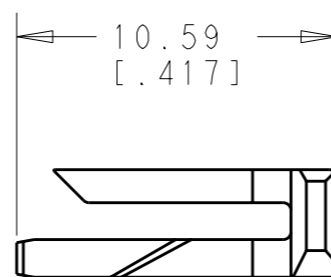
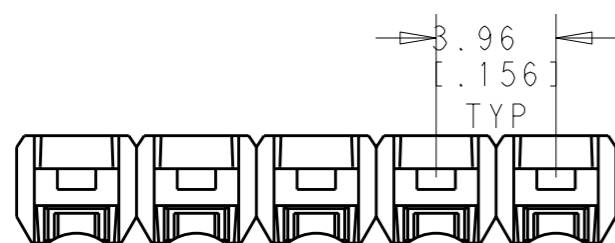
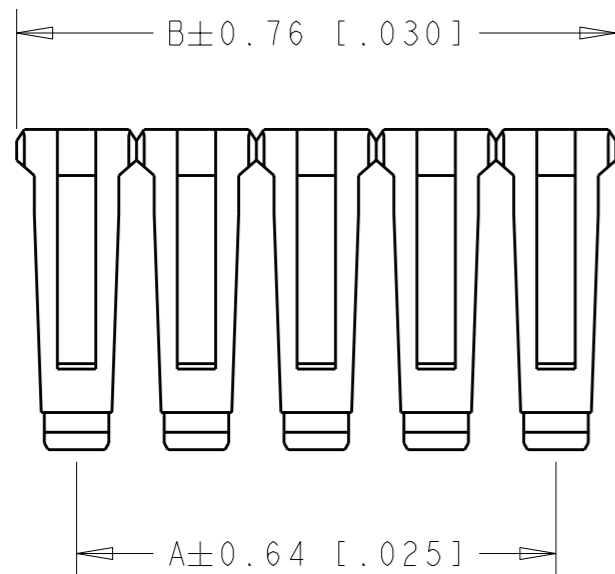
RELEASED FOR PUBLICATION

20

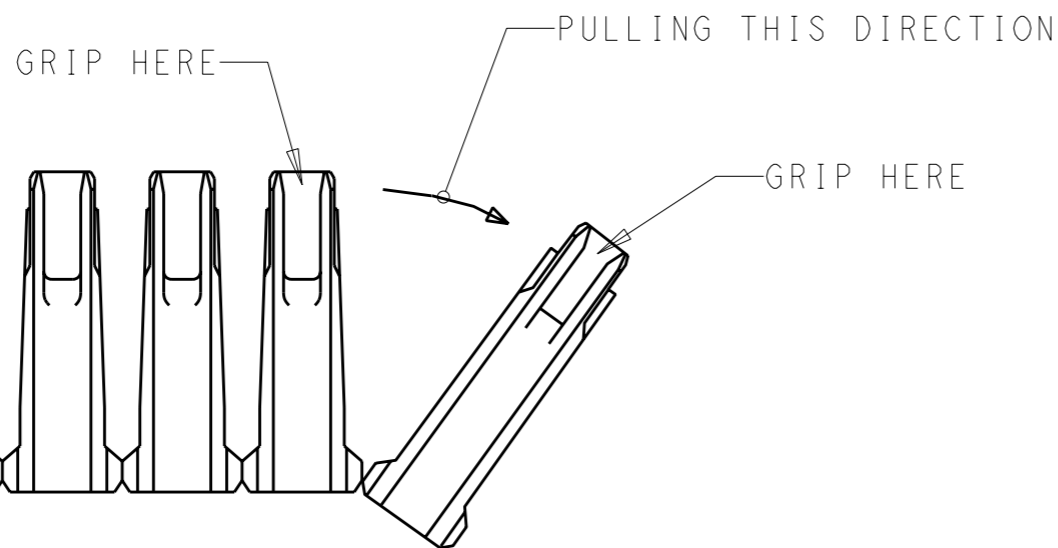
© COPYRIGHT 20

BY TYCO ELECTRONICS CORPORATION. ALL INTERNATIONAL RIGHTS RESERVED.

LOC	DIST	REVISIONS				
P	LTR	DESCRIPTION	DATE	DWN	APVD	
AF	-	A1	REV PER ECO 11-000054	03JAN11	JR	SM



- PART TO BE BROKEN AS SHOWN TO FIT 2 THRU 12 POSITION HOUSINGS.
- GOES WITH HOUSING P/N 2132189-X
- BOW IS ACCEPTABLE



BREAK HOUSINGS AS SHOWN

79.25 [3.120]	75.28 [2.964]	2-2132074-0
DIM B	DIM A	PART NO.

DIMENSIONS: mm [INCHES]		TOLERANCES UNLESS OTHERWISE SPECIFIED:		DWN JR RUTH 17DEC2010		Tyco Electronics		Tyco Electronics Corporation Harrisburg, PA 17105-3608	
	0 PLC	±		CHK	SAM MACE 17DEC2010	NAME SL-156, CONTACT RETAINER			
	1 PLC	±	.1	APVD	-				
	2 PLC	±	0.25 [.010]	PRODUCT SPEC	-				
	3 PLC	±		APPLICATION SPEC	-				
MATERIAL NYLON		FINISH BLACK		WEIGHT -		SIZE A3	CAGE CODE 00779	DRAWING NO C-2132074	RESTRICTED TO -
CUSTOMER DRAWING						SCALE 4:1	SHEET 1	OF 1	REV A1