



Chipsmall Limited consists of a professional team with an average of over 10 year of expertise in the distribution of electronic components. Based in Hongkong, we have already established firm and mutual-benefit business relationships with customers from,Europe,America and south Asia,supplying obsolete and hard-to-find components to meet their specific needs.

With the principle of “Quality Parts,Customers Priority,Honest Operation,and Considerate Service”,our business mainly focus on the distribution of electronic components. Line cards we deal with include Microchip,ALPS,ROHM,Xilinx,Pulse,ON,Everlight and Freescale. Main products comprise IC,Modules,Potentiometer,IC Socket,Relay,Connector.Our parts cover such applications as commercial,industrial, and automotives areas.

We are looking forward to setting up business relationship with you and hope to provide you with the best service and solution. Let us make a better world for our industry!



## Contact us

Tel: +86-755-8981 8866 Fax: +86-755-8427 6832

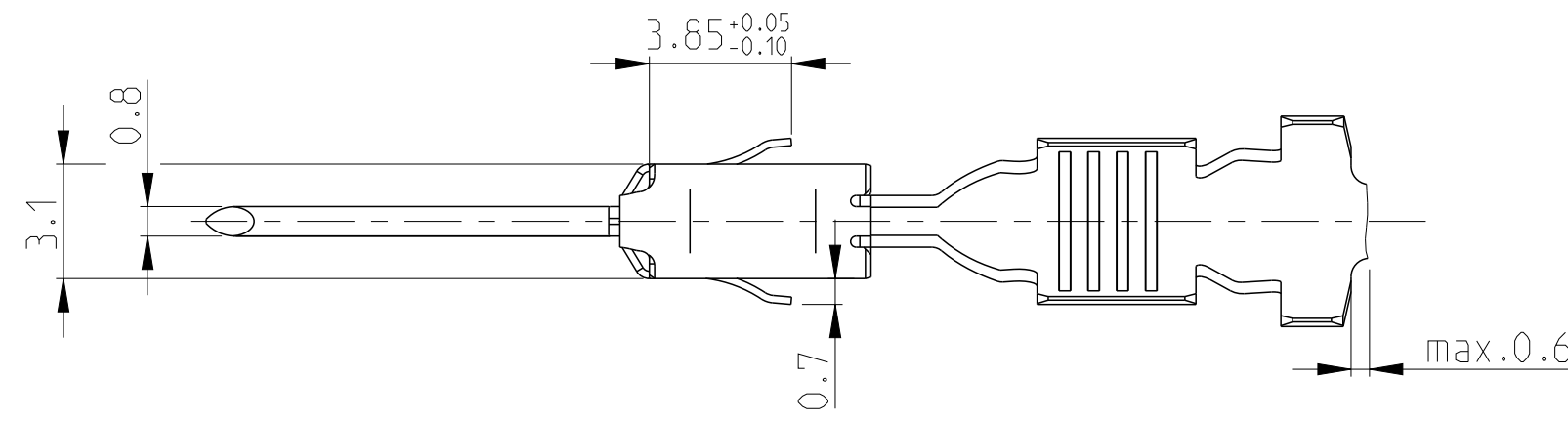
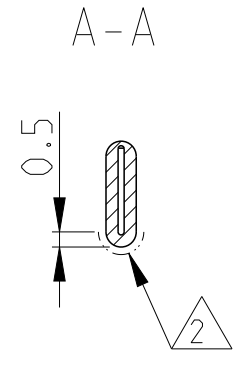
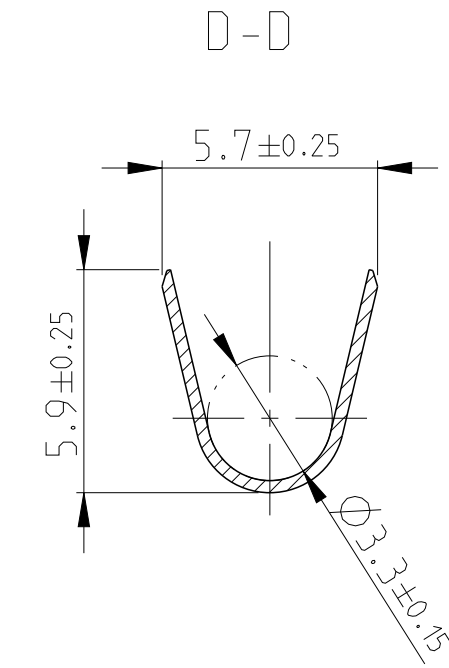
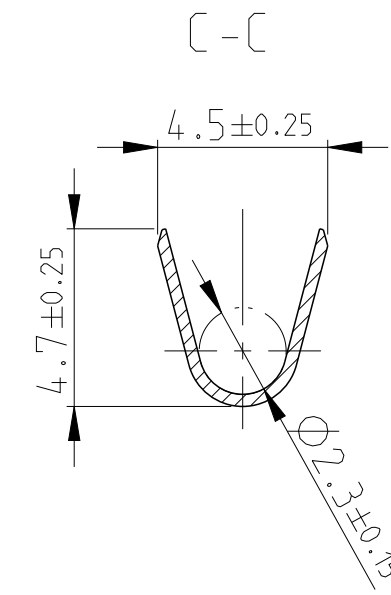
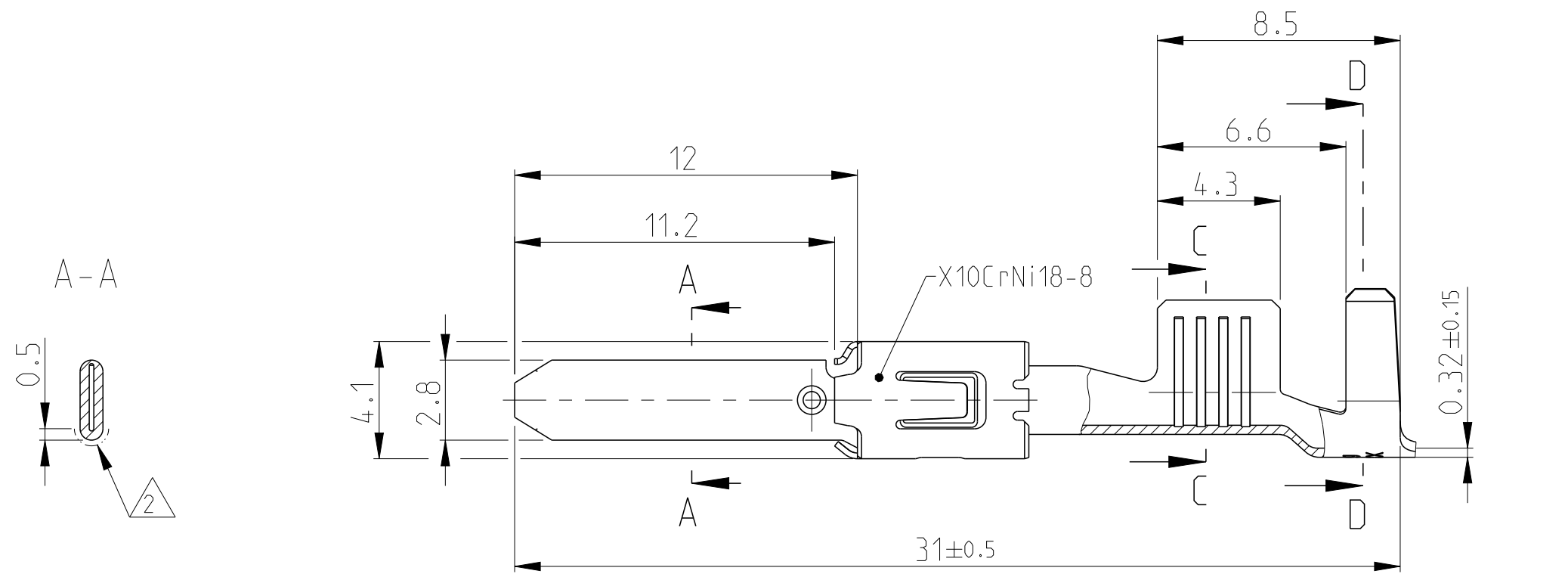
Email & Skype: info@chipsmall.com Web: www.chipsmall.com

Address: A1208, Overseas Decoration Building, #122 Zhenhua RD., Futian, Shenzhen, China



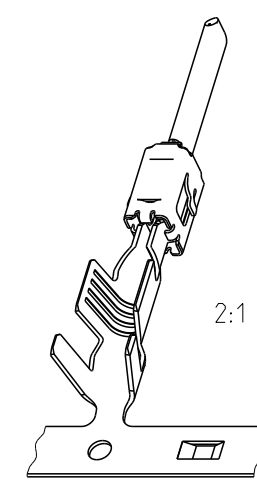
THIS DRAWING IS UNPUBLISHED. RELEASED FOR PUBLICATION 2011  
 © COPYRIGHT 2011 Tyco Electronics AMP GmbH ALL RIGHTS RESERVED.

LOC	DIST	REVISIONS			
P	LTR	DESCRIPTION	DATE	DWN	APVD
A	-	New drawing created.	07DEC2011	Kirs.	Schus
A1	-	Loose Piece removed	12SEP2016	BREN	MERZ



NOTES  
Bemerkungen

- 1 CONTACT AREA PRE SILVER MIN. 3µm  
CANTILEVER SPRING PLAIN  
Kontaktzone vorversilbert min. 3µm  
Ueberfeder blank
- 2 ----- IN THIS AREA CRACK SHAPING AT THE SURFACE PERMISSIBLE  
In diesem Bereich Rissbildung in der Oberflaeche zulaessig



WIRE RANGE >2.5-4.0 mm <sup>2</sup>		INS. RANGE 2.7-3.7 mm		△ SURFACE	CuFe MATERIAL	2-2141600-2 PART NO.	A REV
THIS DRAWING IS A CONTROLLED DOCUMENT.				DWN J.Kirschbaum 24MAY2011	TE Connectivity NAME TAB 2.8 x 0.8 Flachstecker 2.8 x 0.8		
DIMENSIONS: mm		TOLERANCES UNLESS OTHERWISE SPECIFIED:		CHK M.Schuster 24MAY2011			
		0-PLC ± 1-PLC ± ±0.2 2-PLC ± ± 3-PLC ± ± 4-PLC ± ± ANGLES ±1.5° FINISH		PRODUCT SPEC 108-18063		SIZE A2	
MATERIAL		-		APPLICATION SPEC 114-18051		CAGE CODE 00779	
-		-		WEIGHT -		DRAWING NO C-2141600	
CUSTOMER DRAWING				SCALE 5:1		SHEET 1 OF 1	
						REV A1	