



Chipsmall Limited consists of a professional team with an average of over 10 year of expertise in the distribution of electronic components. Based in Hongkong, we have already established firm and mutual-benefit business relationships with customers from,Europe,America and south Asia,supplying obsolete and hard-to-find components to meet their specific needs.

With the principle of “Quality Parts,Customers Priority,Honest Operation,and Considerate Service”,our business mainly focus on the distribution of electronic components. Line cards we deal with include Microchip,ALPS,ROHM,Xilinx,Pulse,ON,Everlight and Freescale. Main products comprise IC,Modules,Potentiometer,IC Socket,Relay,Connector.Our parts cover such applications as commercial,industrial, and automotives areas.

We are looking forward to setting up business relationship with you and hope to provide you with the best service and solution. Let us make a better world for our industry!



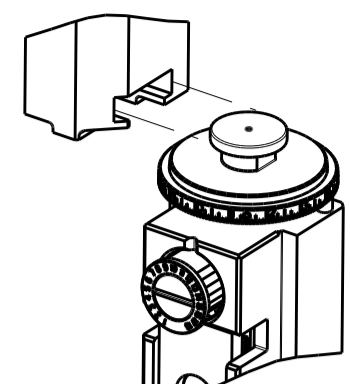
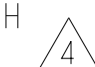


Contact us


Tel: +86-755-8981 8866 Fax: +86-755-8427 6832

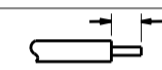

Email & Skype: info@chipsmall.com Web: www.chipsmall.com


Address: A1208, Overseas Decoration Building, #122 Zhenhua RD., Futian, Shenzhen, China




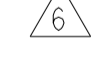



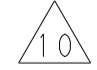



| ATLANTIC VERSION TERMINATOR INTERFACE ADAPTER | PART NUMBER | REVISION | DESCRIPTION | FEED TYPE | APPLICATOR STYLE CONVERSION CHART | | | | | | |
|----------------------------------------------------------------------------------|-------------|----------|--------------------------|---------------------------------------------------------------------------------------------------------------------------------------------------------------------------------------|-----------------------------------|-----------------------|-----------|-------------|-----------|---|------------------------|
| | | | | | CONVERT TO | PART NUMBERS REQUIRED | | | | | |
|  | 2150053-2 | C | FINE CRIMP HEIGHT ADJUST | PNEUMATIC | SERVO LATCH PLATE | 2119951-1 | 1901697-1 | 8-2150053-5 | - | - | 2168400-7 (QUANTITY 2) |
| | 2150053-5 | C | FINE CRIMP HEIGHT ADJUST | SERVO LATCH PLATE  | SMART APPLICATOR | 2161326-1 | - | 8-2150053-4 | - | - | - |
| | 2150053-6 | C | NON-CRIMP HEIGHT ADJUST | SERVO LATCH PLATE   | PNEUMATIC FEED | 2119950-1 | 2119792-2 | - | 2119641-1 | - | 2063440-2 |
| | 2150053-7 | C | FINE CRIMP HEIGHT ADJUST | NONE | - | - | - | - | - | - | - |
| | 7-2150053-7 | A | CRIMP TOOLING KIT | - | - | - | - | - | - | - | - |

| APPLICATOR DATA | | |
|---------------------------------------------------------------------------------------------------------------------|----------------|------|
| CRIMP | SIZE | TYPE |
| WIRE | 3.30 mm [.130] | F |
| INSUL | 3.94 mm [.155] | OV |
| APPLICATOR INSTRUCTIONS 408-10390  | | |

| TERMINAL DATA: TE TERMINAL | | TE CRIMP SPECIFICATION | |
|-----------------------------------------------------------------------------------------------------|-----------------------------------------------------------------------------------|------------------------------|-------------|
| TERMINAL NAME: RING TONGUE | | | |
| WIRE STRIP LENGTH |  | INSULATION DIAMETER RANGE | |
| 6.00-6.00 mm [.236-.236 IN] | | ∅2.10-3.10 mm [.083-.122 IN] | |
| TERMINAL APPLICATION SPECIFICATION | 114-2084 | | |
| TERMINALS APPLIED  | | | |
| TE TERMINAL | TE TERMINAL | TE TERMINAL | TE TERMINAL |
| 346103-1 | 346103-2 | | |

| WIRE SIZE | CRIMP HEIGHT mm [INCH] | CRIMP HEIGHT REFERENCE SETTING  |
|-----------|-------------------------------|--------------------------------------------------------------------------------------------------------------------|
| 2.50mm2 | 2.40 +/- 0.05 [.094 +/- .002] | 7.4 |
| 2.00mm2 | 2.28 +/- 0.05 [.090 +/- .002] | 9.0 |
| 1.50mm2 | 2.16 +/- 0.05 [.085 +/- .002] | 9.8 |

-  RECOMMENDED SPARE PARTS
-  GREASE BEARING SURFACES LIGHTLY
- 3. LUBRICATE DAILY PER THE APPLICATOR INSTRUCTION SHEET SUPPLIED WITH THE APPLICATOR.
-  APPLICATOR SPECIFIC DATA TO BE ENTERED INTO BLANK MEMORY CHIP AT ASSEMBLY. SEE BELOW FOR PART NUMBER:
 PNEUMATIC FEED WITH "SMART APPLICATOR" CONVERSION: 8-2150053-4
 SERVO FEED WITH "FINE CRIMP HEIGHT ADJUST": 8-2150053-5
 SERVO FEED WITH "NON-CRIMP HEIGHT ADJUST": 8-2150053-6
- 5. ADJUSTMENT OF THE STRIPPER MAY BE REQUIRED WHEN MOVING THE APPLICATOR BETWEEN BENCH AND LEADMAKER APPLICATIONS.
-  APPLY PART NUMBER 1-23419-5 LOCTITE TO THREADS OF ITEMS 62 & 242. FOR -6 ONLY APPLY PART NUMBER 1-23419-5 LOCTITE TO THREADS OF ITEMS 37 & 242.
-  GREASE THREADS, GROOVE AND O-RING ON ITEMS 35 & 252.
-  MAGNET, ITEM 166 MUST BE ORIENTED CORRECTLY IN ORDER TO PROPERLY ACTUATE THE COUNTER.
-  CRIMP HEIGHT REFERENCE SETTING WAS THE SETTING USED WHEN THE APPLICATOR WAS QUALIFIED AT THE FACTORY. ADJUSTMENT MAY BE NECESSARY WHEN RUNNING APPLICATOR IN THE FIELD.
-  WHEN ASSEMBLING -6 NON-CRIMP HEIGHT ADJUST APPLICATOR USE SHIM PACK 2119957-2 TO ALIGN APPLICATOR'S MAXIMUM WIRE CRIMP HEIGHT AT NORMAL TERMINATOR SHUT HEIGHT
-  TERMINAL PITCH NOT COMPATIBLE WITH MECHANICAL FEED.

***WARNING**
 ON INSTALLATION, SET WIRE DISC, ITEM 40 TO LARGEST WIRE SIZE SETTING. USE OF SETTINGS BELOW MINIMUM REQUIRED CRIMP HEIGHT SETTING WILL CAUSE DAMAGE TO CRIMP TOOLING.

| SET UP GAUGE | LOC | DIST | REVISIONS | | | |
|--------------|-----|------|-----------|-----------|----|------|
| 2119599-2 | A | 66 | REV | DATE | BY | APPD |
| | | | C | 11JUL2013 | XZ | LZ |
| | | | | | | |

| | | | | | | | |
|---|--------------|--------|----|----|-------------|--------------------------------------|---------|
| - | - | 1 | - | - | 2119957-2 | APPLICATOR SHIM PACK | 260 |
| - | 1 | - | 1 | 1 | 8-21084-0 | O-RING, .676 ID, .070 DIA. MAT. | 252 |
| - | - | - | - | 1 | 2119640-1 | PUSH ROD, AIR FEED | 250 |
| - | - | - | - | 1 | 2079988-1 | BUSHING, LCH5-12, MISUMI | 249 |
| - | - | - | - | 1 | 2119641-1 | FEED CAM, AIR FEED | 248 |
| - | 1 | - | 1 | 1 | 2119798-1 | DETENT PIN | 247 |
| - | 1 | - | 1 | 1 | 1-22279-3 | SPRING, COMPRESSION | 246 |
| - | - | 1 | - | - | 2119759-1 | RAM, AMP STYLE, END FEED, NON-ADJUST | 245 |
| - | 1 | 1 | 1 | 1 | 2119082-9 | CAM, SNAIL, INSULATION ADJUSTMENT | 244 |
| - | 1 | 1 | 1 | 1 | 2079764-1 | WASHER, WAVE SPRING, CREST-TO-CREST | 243 |
| - | 1 | 1 | 1 | 1 | 2119083-1 | RETAINER, INSULATION DIAL | 242 |
| - | - | 2 | 2 | - | 2168400-7 | SHCS, LOW HEAD, RoHS, M5 X 10 | 240 |
| - | - | - | - | 1 | 2063440-2 | AIR FEED MODULE | 238 |
| - | - | 1 | 1 | - | 2119740-2 | TAG, IDENTIFICATION | 213 |
| - | - | REFREF | - | - | 1901697-1 | FEED FINGER ASSEMBLY, EF | 183 |
| - | - | - | - | 2 | 21045-3 | RING, RETAIN, EXTERN, 3/16 CRESCENT | 172 |
| - | 1 | 1 | 1 | 1 | 994969-1 | MAGNET, RARE EARTH HIGH ENERGY | 166 |
| - | REFREFREFREF | - | - | - | 994970-2 | COUNTER, MAGNETIC | 164 |
| - | - | - | - | 1 | 240638-1 | SPRING, FEED FINGER | 163 |
| - | - | - | - | 1 | 3-23627-7 | PIN, RETAIN, GRVD, 3/16 X .854 | 137 |
| - | - | REFREF | - | - | SEE NOTE 4 | MEMORY CHIP, PROGRAMMED | 135 |
| - | - | 1 | 1 | - | 1633743-1 | SERVO FEED LATCH ASM | 133 |
| - | 1 | 1 | 1 | 1 | 455888-5 | SPACER, CRIMPER | 82 |
| - | 1 | 1 | 1 | 1 | 2119956-2 | DOCUMENTATION PACKAGE | 71 |
| - | 2 | 2 | 2 | 2 | 2-18032-2 | SCR, SET, FLT POINT M3 X 10.0 | 70 |
| - | 1 | - | - | 1 | 2119740-1 | TAG, IDENTIFICATION | 67 |
| - | 2 | 2 | 2 | 2 | 2168078-1 | SCREW, DRIVE, RH, RoHS, 2 x .188 | 66 |
| - | 1 | - | 1 | 1 | 2119793-1 | LIMITER, ADJUSTMENT BOLT | 63 |
| - | 3 | - | 3 | 3 | 992763-5 | SCR, SET, SOC, CONE POINT, M3 x 4.0 | 62 |
| - | 1 | 1 | 1 | 1 | 2079383-4 | SCR, BHSC, RoHS (M4 X 8) | 60 |
| - | 4 | 4 | 4 | 4 | 2168400-4 | SHCS, LOW HEAD, RoHS, M4 X 8 | 57 |
| - | 2 | 2 | 2 | 2 | 2168083-8 | SCR, SKT HD CAP, RoHS, M4 X 16 | 56 |
| - | 2 | 2 | 2 | 2 | 5018030-2 | NUT, HEX, REG, RoHS, M4 | 55 |
| - | 2 | 2 | 2 | 2 | 5018030-1 | NUT, HEX, REG, RoHS, M3 | 54 |
| - | 2 | 2 | 2 | 2 | 986965-8 | NUT, LOCK, HEX, TORQUE (M4) | 53 |
| - | - | - | - | 1 | 2119792-2 | PAWL, EF, AIR | 51 |
| - | - | - | - | 1 | 18023-9 | SCR, SKT HD CAP M4 X 6.0 | 49 |
| - | 1 | 1 | 1 | 1 | 2119655-5 | APPLICATOR BASIC ASSEMBLY, EF | 46 |
| - | 1 | - | 1 | 1 | 2119369-1 | RAM, AMP STYLE, END FEED | 44 |
| - | 1 | 1 | 1 | 1 | 2079383-7 | SCR, BHSC, RoHS (M8 X 25) | 41 |
| - | 1 | - | 1 | 1 | 2119645-1 | DISC, NUMBERED FA WIRE ADJUSTMENT | 40 |
| - | 1 | - | 1 | 1 | 2119957-1 | APPLICATOR SHIM PACK | 39 |
| - | 1 | 1 | 1 | 1 | 1-2119644-3 | RAM WASHER, PRECISION | 38 |
| - | 1 | 1 | 1 | 1 | 2119085-1 | FA HEAD, ATLANTIC STYLE | 37 |
| - | 1 | - | 1 | 1 | 2119092-1 | BOLT, ADJUSTMENT | 35 |
| - | 8 | 8 | 8 | 8 | 1-18028-2 | WASHER, FLAT, REG M4 | 33 |
| - | 2 | 2 | 2 | 2 | 2168083-9 | SCR, SKT HD CAP, RoHS, M4 X 20 | 31 |
| - | 2 | 2 | 2 | 2 | 1-2168083-0 | SCR, SKT HD CAP, RoHS, M4 X 10 | 29 |
| - | 1 | 1 | 1 | 1 | 240639-1 | STRIPPER (MACHINING) | 27 |
| - | 2 | 2 | 2 | 2 | 1320906-1 | STUD, THREADED | 25 |
| - | 1 | 1 | 1 | 1 | 1752371-5 | PLATE, STRIP GUIDE | 24 |
| - | 2 | 2 | 2 | 2 | 2-22281-3 | SPRING, COMPRESSION | 22 |
| - | 1 | 1 | 1 | 1 | 1752373-1 | DRAG | 20 |
| - | 1 | 1 | 1 | 1 | 1901696-4 | STRIP GUIDE, REAR | 19 |
| - | 1 | 1 | 1 | 1 | 1901695-4 | STRIP GUIDE, FRONT | 18 |
| - | 4 | 4 | 4 | 4 | 1-2079383-1 | SCR, BHSC, RoHS (M6 X 12) | 17 |
| - | 1 | 1 | 1 | 1 | 240641-9 | SPACER | 16 |
| - | 1 | 1 | 1 | 1 | 240644-1 | PLATE, REAR SHEAR | 11 |
| - | - | - | - | - | - | - | 10 |
| - | 1 | 1 | 1 | 1 | 690482-5 | PLATE, FRONT SHEAR | 9 |
| - | 1 | 1 | 1 | 1 | 1333221-4 | ANVIL, EF .130 | 8 |
| - | 1 | 1 | 1 | 1 | 2217206-7 | BLADE, SLUG | 7 |
| - | 1 | 1 | 1 | 1 | 6-240641-0 | SPACER | 5 |
| - | 1 | 1 | 1 | 1 | 238009-1 | BLOCK, FL CRIMPER SPACER | 4 |
| - | 1 | 1 | 1 | 1 | 1-2119785-6 | CRIMPER, INSULATION OVERLAP PREMIUM | 3 |
| - | 1 | 1 | 1 | 1 | 1-455888-3 | SPACER, CRIMPER | 2 |
| - | 1 | 1 | 1 | 1 | 3-456410-0 | CRIMPER, WIRE PREMIUM | 1 |
| - | 77 | -7 | -6 | -5 | -2 | PART NO | ITEM NO |

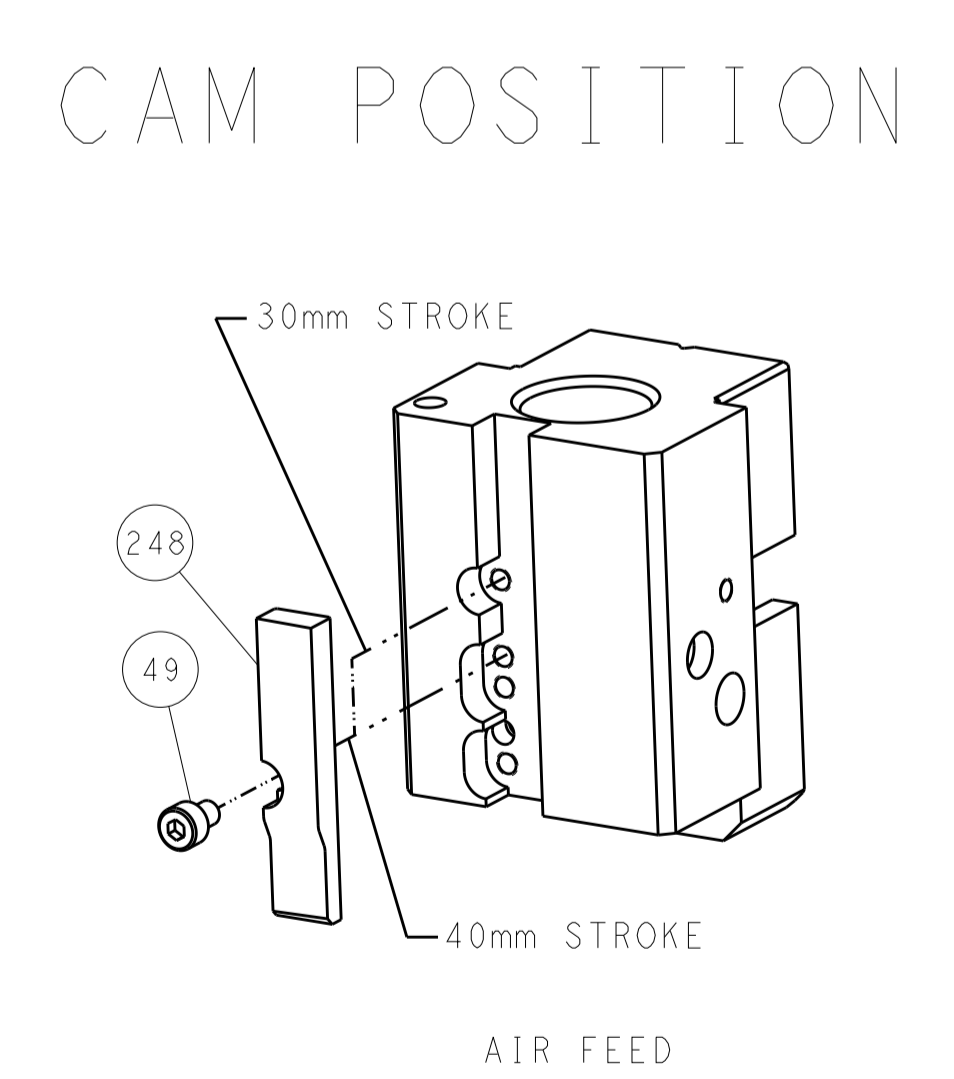
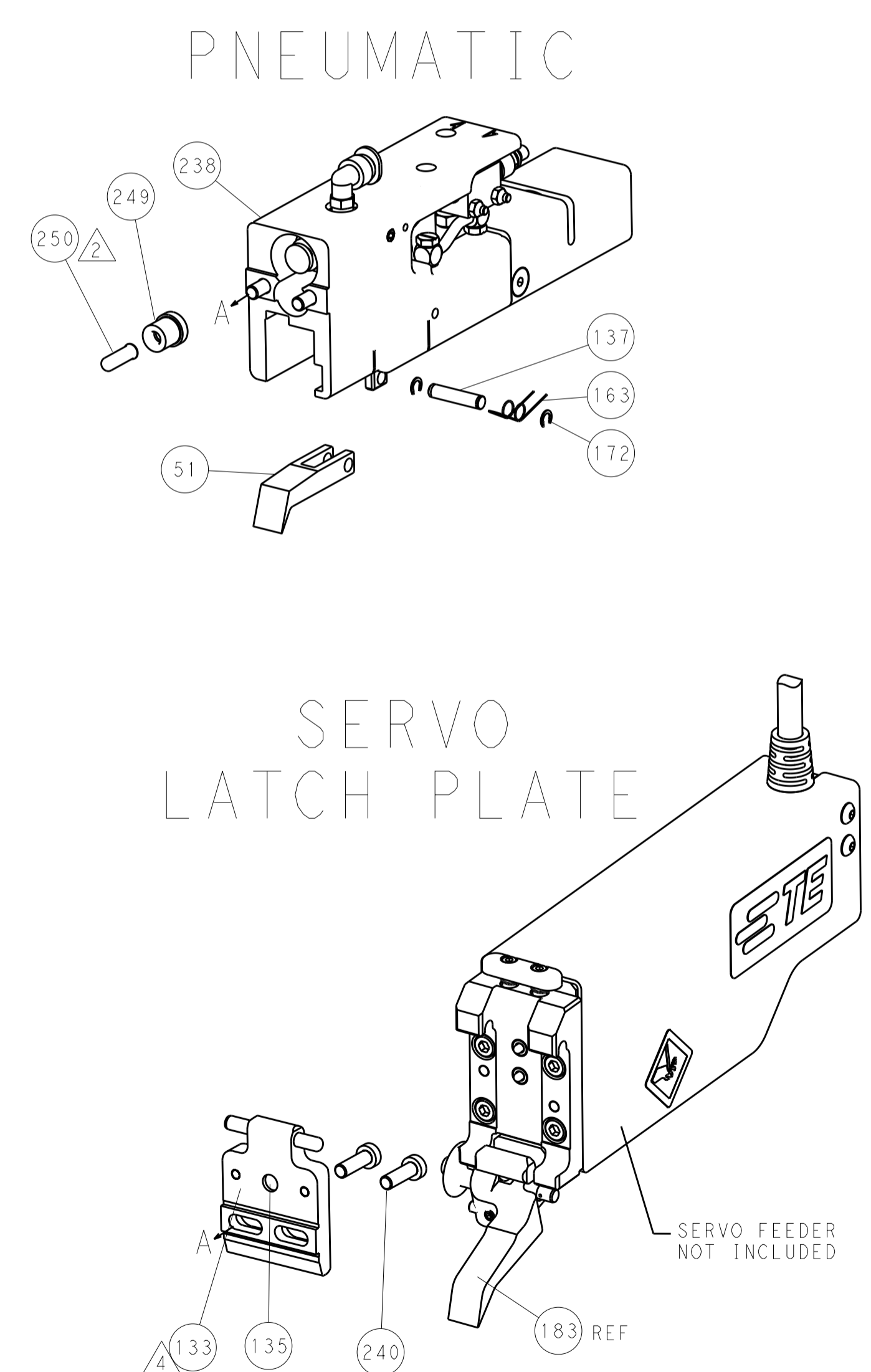
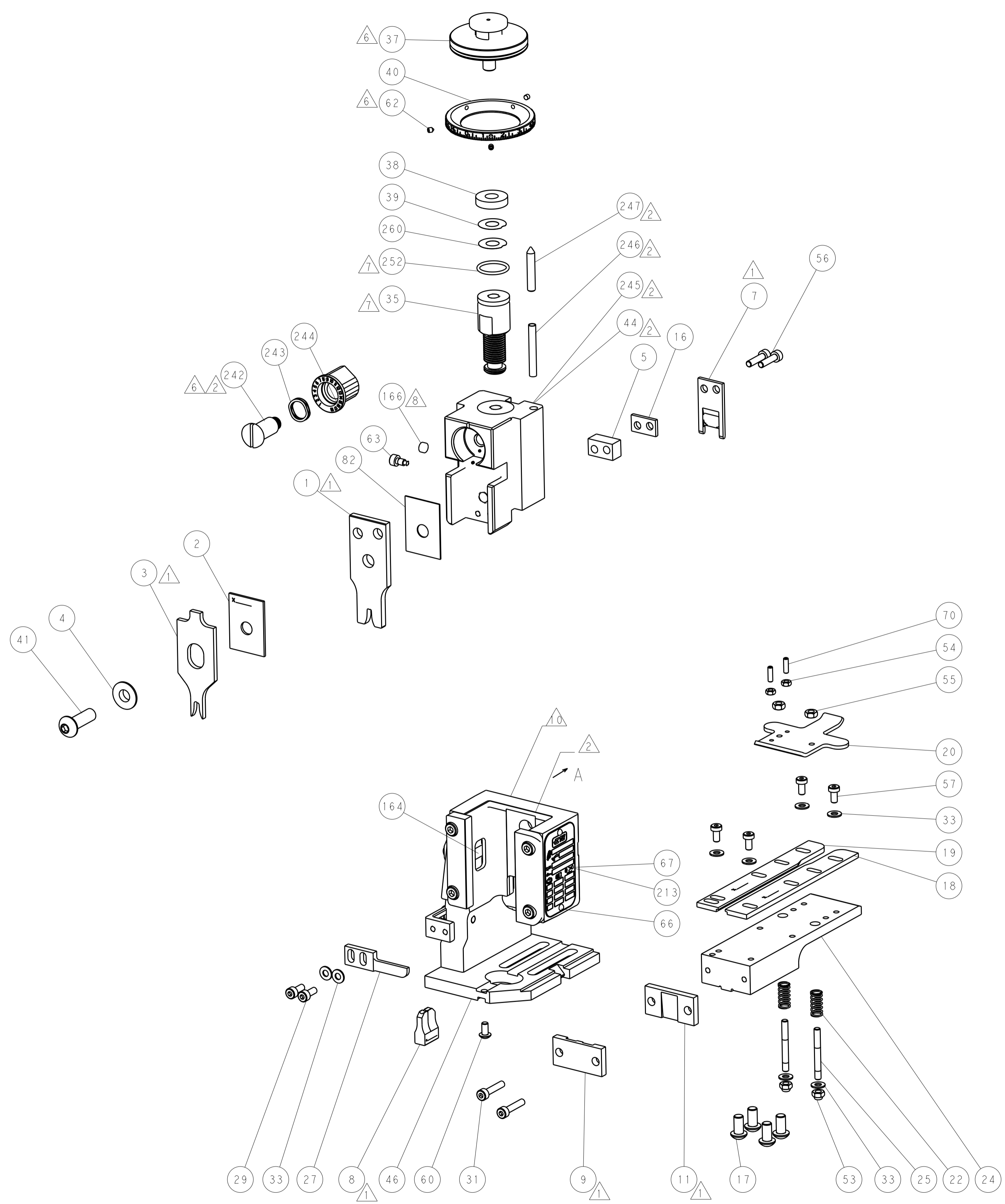
ATLANTIC VERSION
 Shown on sheets 1 of 4 & 2 of 4
 (Pacific version shown on sheets 3 of 4 & 4 of 4)

| DIMENSIONS: | | TOLERANCES UNLESS OTHERWISE SPECIFIED: | | MATERIAL: | | FINISH: | |
|-------------|-----------|----------------------------------------|-------------|--------------|---------------|---------------|--------|
| mm | 0 PLC ±.5 | 1 PLC ±0.5 | 2 PLC ±0.13 | 3 PLC ±0.013 | 4 PLC ±0.0001 | ANGLES ±.0001 | FINISH |
| MATERIAL | | FINISH | | WEIGHT | | SCALE | |
| - | | - | | - | | 1:1 | |

| CHK | DATE | DESCRIPTION |
|-----------|-----------|---------------------------|
| C. MOYER | 30NOV2011 | TE Connectivity |
| G. BAILEY | 30NOV2011 | Harrisburg, PA 17105-3608 |
| G. BAILEY | 30NOV2011 | |

| NAME | SIZE | CAGE CODE | DRAWING NO | RESTRICTED TO |
|----------------------------------------|------|-----------|------------|------------------------------|
| Ocean End Feed Applicator | A1 | 00779 | 2150053 | - |
| CUSTOMER ACCESSIBLE PRODUCTION DRAWING | | | | SCALE 1:1 SHEET 1 OF 4 REV C |

| LOC | | DIST | | REVISIONS | | | |
|-----|----|------|-----|-------------|------|-----|------|
| A | 66 | P | LTM | DESCRIPTION | DATE | DMN | APVD |
| | | - | - | SEE SHEET 1 | - | - | - |



ATLANTIC VERSION
 Shown on sheets 1 of 4 & 2 of 4
 (Pacific version shown on sheets 3 of 4 & 4 of 4)

| | | | | | | | |
|-------------|--|----------------------------------------|--|----------------------------------------|--|---------------------------------|--|
| DIMENSIONS: | | TOLERANCES UNLESS OTHERWISE SPECIFIED: | | DWG: C. MOYER 30NOV2011 | | TE Connectivity | |
| mm | | 0 PLC ±0.5 | | CHK: G. BAILEY 30NOV2011 | | Harrisburg, PA 17105-3608 | |
| Ø | | 1 PLC ±0.13 | | APP'D: G. BAILEY 30NOV2011 | | NAME: Ocean End Feed Applicator | |
| H | | 2 PLC ±0.013 | | PRODUCT SPEC: | | SIZE: CAGE CODE: DRAWING NO: | |
| D | | 3 PLC ±0.013 | | APPLICATION SPEC: | | RESTRICTED TO: | |
| R | | 4 PLC ±0.0001 | | WEIGHT: | | A1 00779 ©=2150053 | |
| ANGLES | | FINISH: | | CUSTOMER ACCESSIBLE PRODUCTION DRAWING | | SCALE: 1:1 SHEET 2 OF 4 REV C | |

| PACIFIC VERSION TERMINATOR INTERFACE ADAPTER | PART NUMBER | REVISION | DESCRIPTION | FEED TYPE | APPLICATOR STYLE CONVERSION CHART | | | | | | |
|----------------------------------------------|-------------|----------|--------------------------|-------------------|-----------------------------------|-----------------------|-----------|-------------|-----------|---|------------------------|
| | | | | | CONVERT TO | PART NUMBERS REQUIRED | | | | | |
| | 2-2150053-2 | C | FINE CRIMP HEIGHT ADJUST | PNEUMATIC | SERVO LATCH PLATE | 2119951-1 | 1901697-1 | 8-2150053-5 | - | - | 2168400-7 (QUANTITY 2) |
| | 2-2150053-5 | C | FINE CRIMP HEIGHT ADJUST | SERVO LATCH PLATE | SMART APPLICATOR | 2161326-1 | - | 8-2150053-4 | - | - | - |
| | 2-2150053-7 | C | FINE CRIMP HEIGHT ADJUST | NONE | PNEUMATIC FEED | 2119950-1 | 2119792-2 | - | 2119641-2 | - | 2063440-2 |
| | 7-2150053-7 | A | CRIMP TOOLING KIT | - | - | - | - | - | - | - | - |

| APPLICATOR DATA | | |
|-----------------------------------|------------------|------|
| CRIMP | SIZE | TYPE |
| WIRE | 3.30 mm [.130] | F |
| INSUL | 3.94 mm [.155] | OV |
| APPLICATOR INSTRUCTIONS 408-10390 | | |

| TERMINAL DATA: TE TERMINAL TE CRIMP SPECIFICATION | |
|---------------------------------------------------|--------------------------------|
| TERMINAL NAME: RING TONGUE | |
| WIRE STRIP LENGTH | INSULATION DIAMETER RANGE |
| 6.00-6.00 mm [.236-.236 IN] | ∅2.10-3.10 mm [.083-.122 IN] |
| TERMINAL APPLICATION SPECIFICATION | 114-2084 |
| TERMINALS APPLIED | |
| TE TERMINAL | TE TERMINAL |
| 346103-1 | 346103-2 |

| WIRE SIZE | CRIMP HEIGHT mm [INCH] | CRIMP HEIGHT REFERENCE SETTING |
|-----------|---------------------------------|--------------------------------|
| 2.50mm2 | 2.40 +/- 0.05 [.094 +/- .002] | 7.4 |
| 2.00mm2 | 2.28 +/- 0.05 [.090 +/- .002] | 9.0 |
| 1.50mm2 | 2.16 +/- 0.05 [.085 +/- .002] | 9.8 |

- RECOMMENDED SPARE PARTS
- GREASE BEARING SURFACES LIGHTLY
- 3. LUBRICATE DAILY PER THE APPLICATOR INSTRUCTION SHEET SUPPLIED WITH THE APPLICATOR.
- APPLICATOR SPECIFIC DATA TO BE ENTERED INTO BLANK MEMORY CHIP AT ASSEMBLY. SEE BELOW FOR PART NUMBER:
 PNEUMATIC FEED WITH "SMART APPLICATOR" CONVERSION: 8-2150053-4
 SERVO FEED WITH "FINE CRIMP HEIGHT ADJUST": 8-2150053-5
- 5. ADJUSTMENT OF THE STRIPPER MAY BE REQUIRED WHEN MOVING THE APPLICATOR BETWEEN BENCH AND LEADMAKER APPLICATIONS.
- APPLY PART NUMBER 1-23419-5 LOCTITE TO THREADS OF ITEMS 62 & 242.
- GREASE THREADS, GROOVE AND O-RING ON ITEMS 139 & 153.
- MAGNET, ITEM 166 MUST BE ORIENTED CORRECTLY IN ORDER TO PROPERLY ACTUATE THE COUNTER.
- CRIMP HEIGHT REFERENCE SETTING WAS THE SETTING USED WHEN THE APPLICATOR WAS QUALIFIED AT THE FACTORY. ADJUSTMENT MAY BE NECESSARY WHEN RUNNING APPLICATOR IN THE FIELD.
- TERMINAL PITCH NOT COMPATIBLE WITH MECHANICAL FEED.

***WARNING**
 ON INSTALLATION, SET WIRE DISC, ITEM 40 TO LARGEST WIRE SIZE SETTING. USE OF SETTINGS BELOW MINIMUM REQUIRED CRIMP HEIGHT SETTING WILL CAUSE DAMAGE TO CRIMP TOOLING.

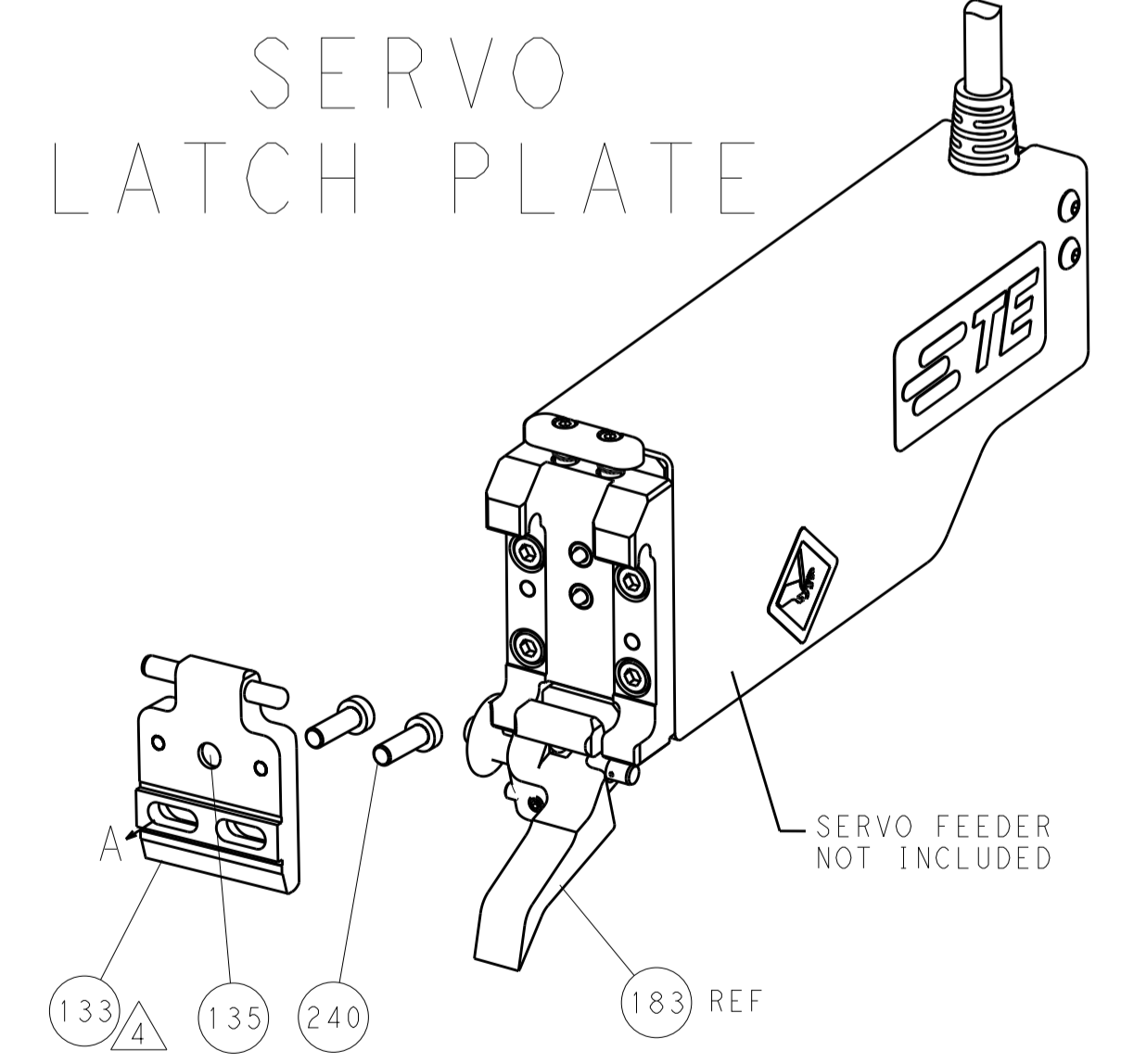
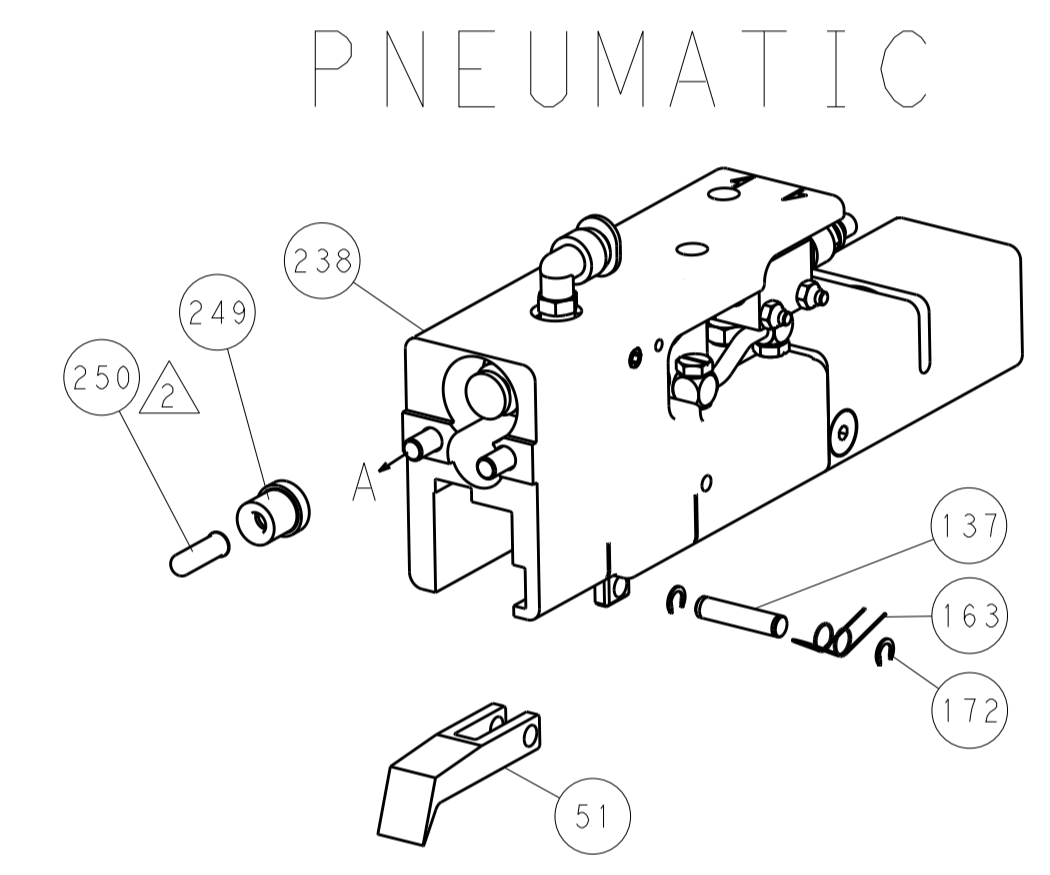
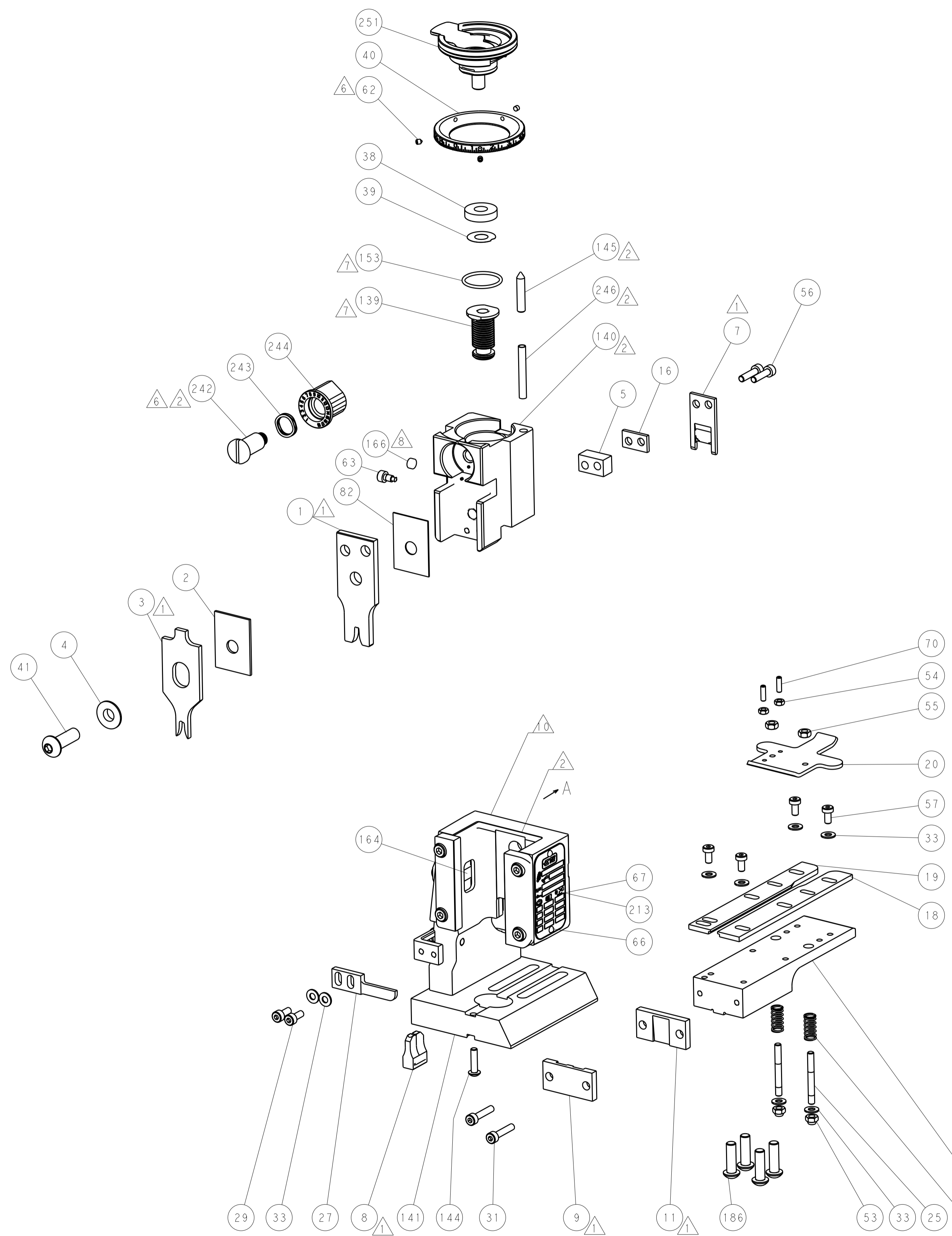
PACIFIC VERSION
 Shown on sheets 3 of 4 & 4 of 4
 (Atlantic version shown on sheets 1 of 4 & 2 of 4)

| SET UP GAUGE | LOC | DIST | REVISIONS | | | |
|--------------|-----|------|-------------|------|----|------|
| 2119599-2 | A | 66 | REV | DATE | BY | APPV |
| - | - | - | SEE SHEET 1 | - | - | - |

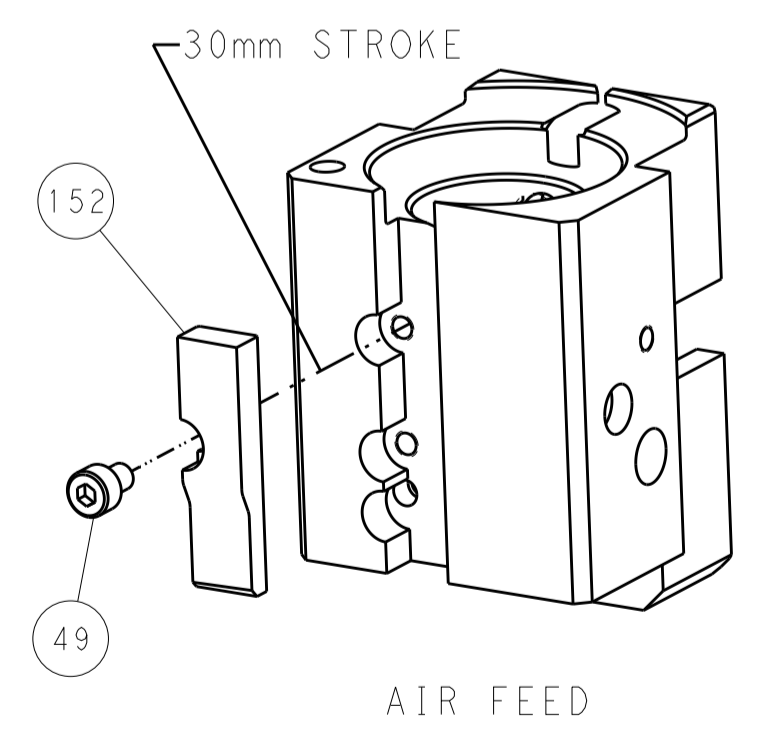
| | | | | | | |
|---|-----|-----|-----|-------------|-------------------------------------|-----|
| - | 1 | 1 | 1 | 2119782-1 | FINE ADJUST HEAD ASM, PACIFIC STYLE | 251 |
| - | - | - | 1 | 2119640-1 | PUSH ROD, AIR FEED | 250 |
| - | - | - | 1 | 2079988-1 | BUSHING, LCH5-12, MISUMI | 249 |
| - | 1 | 1 | 1 | 1-22279-3 | SPRING, COMPRESSION | 246 |
| - | 1 | 1 | 1 | 2119082-9 | CAM, SNAIL, INSULATION ADJUSTMENT | 244 |
| - | 1 | 1 | 1 | 2079764-1 | WASHER, WAVE SPRING, CREST-TO-CREST | 243 |
| - | 1 | 1 | 1 | 2119083-1 | RETAINER, INSULATION DIAL | 242 |
| - | - | 2 | - | 2168400-7 | SHCS, LOW HEAD, RoHS, M5 X 10 | 240 |
| - | - | - | 1 | 2063440-2 | AIR FEED MODULE | 238 |
| - | - | 1 | - | 2119740-2 | TAG, IDENTIFICATION | 213 |
| - | 4 | 4 | 4 | 2079383-9 | SCR, BHSC, RoHS (M6 X 20) | 186 |
| - | - | REF | - | 1901697-1 | FEED FINGER ASSEMBLY, EF | 183 |
| - | - | - | 2 | 21045-3 | RING, RETAIN, EXTERN, 3/16 CRESCENT | 172 |
| - | 1 | 1 | 1 | 994969-1 | MAGNET, RARE EARTH HIGH ENERGY | 166 |
| - | REF | REF | REF | 994970-2 | COUNTER, MAGNETIC | 164 |
| - | - | - | 1 | 240638-1 | SPRING, FEED FINGER | 163 |
| - | 1 | 1 | 1 | 8-21084-1 | O-RING, .801 ID, .070 DIA. MAT. | 153 |
| - | - | - | 1 | 2119641-2 | FEED CAM, AIR FEED | 152 |
| - | 1 | 1 | 1 | 2119798-2 | DETENT PIN | 145 |
| - | 1 | 1 | 1 | 2079383-8 | SCR, BHSC, RoHS (M4 X 16) | 144 |
| - | 1 | 1 | 1 | 2119655-6 | APPLICATOR BASIC ASSEMBLY, EF | 141 |
| - | 1 | 1 | 1 | 2119651-1 | RAM, ASIAN STYLE, END FEED | 140 |
| - | 1 | 1 | 1 | 2119092-2 | BOLT, ADJUSTMENT | 139 |
| - | - | - | 1 | 3-23627-7 | PIN, RETAIN, GRVD, 3/16 X .854 | 137 |
| - | - | REF | - | SEE NOTE 4 | MEMORY CHIP, PROGRAMMED | 135 |
| - | - | 1 | - | 1633743-1 | SERVO FEED LATCH ASM | 133 |
| - | 1 | 1 | 1 | 455888-5 | SPACER, CRIMPER | 82 |
| - | 1 | 1 | 1 | 2119956-2 | DOCUMENTATION PACKAGE | 71 |
| - | 2 | 2 | 2 | 2-18032-2 | SCR, SET, FLT POINT M3 X 10.0 | 70 |
| - | 1 | - | 1 | 2119740-1 | TAG, IDENTIFICATION | 67 |
| - | 2 | 2 | 2 | 2168078-1 | SCREW, DRIVE, RH, RoHS, 2 x .188 | 66 |
| - | 1 | 1 | 1 | 2119793-1 | LIMITER, ADJUSTMENT BOLT | 63 |
| - | 3 | 3 | 3 | 992763-5 | SCR, SET, SOC, CONE POINT, M3 X 4.0 | 62 |
| - | 4 | 4 | 4 | 2168400-4 | SHCS, LOW HEAD, RoHS, M4 X 8 | 57 |
| - | 2 | 2 | 2 | 2168083-8 | SCR, SKT HD CAP, RoHS, M4 X 16 | 56 |
| - | 2 | 2 | 2 | 5018030-2 | NUT, HEX, REG, RoHS, M4 | 55 |
| - | 2 | 2 | 2 | 5018030-1 | NUT, HEX, REG, RoHS, M3 | 54 |
| - | 2 | 2 | 2 | 986965-8 | NUT, LOCK, HEX, TORQUE (M4) | 53 |
| - | - | - | 1 | 2119792-2 | PAWL, EF, AIR | 51 |
| - | - | - | 1 | 18023-9 | SCR, SKT HD CAP M4 X 6.0 | 49 |
| - | 1 | 1 | 1 | 2079383-7 | SCR, BHSC, RoHS (M8 X 25) | 41 |
| - | 1 | 1 | 1 | 2119645-1 | DISC, NUMBERED FA WIRE ADJUSTMENT | 40 |
| - | 1 | 1 | 1 | 2119957-1 | APPLICATOR SHIM PACK | 39 |
| - | 1 | 1 | 1 | 1-2119644-3 | RAM WASHER, PRECISION | 38 |
| - | 8 | 8 | 8 | 1-18028-2 | WASHER, FLAT, REG M4 | 33 |
| - | 2 | 2 | 2 | 2168083-9 | SCR, SKT HD CAP, RoHS, M4 X 20 | 31 |
| - | 2 | 2 | 2 | 1-2168083-0 | SCR, SKT HD CAP, RoHS, M4 X 10 | 29 |
| - | 1 | 1 | 1 | 240639-1 | STRIPPER (MACHINING) | 27 |
| - | 2 | 2 | 2 | 1320906-1 | STUD, THREADED | 25 |
| - | 1 | 1 | 1 | 1752371-5 | PLATE, STRIP GUIDE | 24 |
| - | 2 | 2 | 2 | 2-22281-3 | SPRING, COMPRESSION | 22 |
| - | 1 | 1 | 1 | 1752373-1 | DRAG | 20 |
| - | 1 | 1 | 1 | 1901696-4 | STRIP GUIDE, REAR | 19 |
| - | 1 | 1 | 1 | 1901695-4 | STRIP GUIDE, FRONT | 18 |
| - | 1 | 1 | 1 | 240641-9 | SPACER | 16 |
| - | 1 | 1 | 1 | 240644-1 | PLATE, REAR SHEAR | 11 |
| - | - | - | - | - | - | 10 |
| - | 1 | 1 | 1 | 690482-5 | PLATE, FRONT SHEAR | 9 |
| - | 1 | 1 | 1 | 1333221-4 | ANVIL, EF .130 | 8 |
| - | 1 | 1 | 1 | 2217206-7 | BLADE, SLUG | 7 |
| - | 1 | 1 | 1 | 6-240641-0 | SPACER | 5 |
| - | 1 | 1 | 1 | 238009-1 | BLOCK, FL CRIMPER SPACER | 4 |
| - | 1 | 1 | 1 | 1-2119785-6 | CRIMPER, INSULATION OVERLAP PREMIUM | 3 |
| - | 1 | 1 | 1 | 1-455888-3 | SPACER, CRIMPER | 2 |
| - | 1 | 1 | 1 | 3-456410-0 | CRIMPER, WIRE PREMIUM | 1 |

| DIMENSIONS: | | TOLERANCES UNLESS OTHERWISE SPECIFIED: | | MATERIAL: | | FINISH: | | WEIGHT: | | CUSTOMER ACCESSIBLE PRODUCTION DRAWING | |
|-------------|-----------|----------------------------------------|-------------|--------------|---------------|---------------|--------|---------|--|----------------------------------------|--|
| mm | 0 PLC ±.5 | 1 PLC ±0.5 | 2 PLC ±0.13 | 3 PLC ±0.013 | 4 PLC ±0.0013 | ANGLES ±.0013 | FINISH | | | | |
| SCALE | | DRAWING NO | | SHEET | | OF | | REV | | C | |
| A1 | | 00779 | | C=2150053 | | 3 | | 4 | | REV C | |

| LOC | | DIST | | REVISIONS | | | |
|-----|----|------|-----|-------------|------|-----|------|
| A | 66 | P | LTM | DESCRIPTION | DATE | DWN | APVD |
| | | - | - | SEE SHEET 1 | - | - | - |



CAM POSITIONS



PACIFIC VERSION
 Shown on sheets 3 of 4 & 4 of 4
 (Atlantic version shown on sheets 1 of 4 & 2 of 4)

| | | | | | | | | | |
|-----------------------|--|--------------------------------------------------------------------------------------------------------------------------------|--|-----------------------------------------------------------------------------------------------------------------------------------------------------------------------|--|----------------------------------------------------------------------------------------------------------------------|--|--------------------------------------------------|--|
| DIMENSIONS: mm | | TOLERANCES UNLESS OTHERWISE SPECIFIED: 0 PLC ±.5 1 PLC ±0.5 2 PLC ±0.13 3 PLC ±0.013 4 PLC ±0.001 ANGLES ±.1 | | DWN C. MOYER 30NOV2011 CHK G. BAILEY 30NOV2011 APVD G. BAILEY 30NOV2011 PRODUCT SPEC APPLICATION SPEC WEIGHT CUSTOMER ACCESSIBLE PRODUCTION DRAWING | | NAME Ocean End Feed Applicator SIZE CAGE CODE DRAWING NO A1 00779 C=2150053 SCALE 1:1 SHEET 4 OF 4 REV C | | STE TE Connectivity Harrisburg, PA 17105-3608 | |
|-----------------------|--|--------------------------------------------------------------------------------------------------------------------------------|--|-----------------------------------------------------------------------------------------------------------------------------------------------------------------------|--|----------------------------------------------------------------------------------------------------------------------|--|--------------------------------------------------|--|