



Chipsmall Limited consists of a professional team with an average of over 10 year of expertise in the distribution of electronic components. Based in Hongkong, we have already established firm and mutual-benefit business relationships with customers from,Europe,America and south Asia,supplying obsolete and hard-to-find components to meet their specific needs.

With the principle of "Quality Parts,Customers Priority,Honest Operation,and Considerate Service",our business mainly focus on the distribution of electronic components. Line cards we deal with include Microchip,ALPS,ROHM,Xilinx,Pulse,ON,Everlight and Freescale. Main products comprise IC,Modules,Potentiometer,IC Socket,Relay,Connector.Our parts cover such applications as commercial,industrial, and automotives areas.

We are looking forward to setting up business relationship with you and hope to provide you with the best service and solution. Let us make a better world for our industry!



Contact us

Tel: +86-755-8981 8866 Fax: +86-755-8427 6832

Email & Skype: info@chipsmall.com Web: www.chipsmall.com

Address: A1208, Overseas Decoration Building, #122 Zhenhua RD., Futian, Shenzhen, China



THIS DRAWING IS UNPUBLISHED.
 VERTRÄGLICHE UNVERÖFFENTLICHTE ZEICHNUNG
 © COPYRIGHT 2014 Tyco Electronics AMP GmbH
 RELEASED FOR PUBLICATION
 FREI FÜR VERÖFFENTLICHUNG
 2014
 ALL RIGHTS RESERVED.
 ALLE RECHTE VORBEHALTEN.
 DATED WITH
 PASSEND ZU

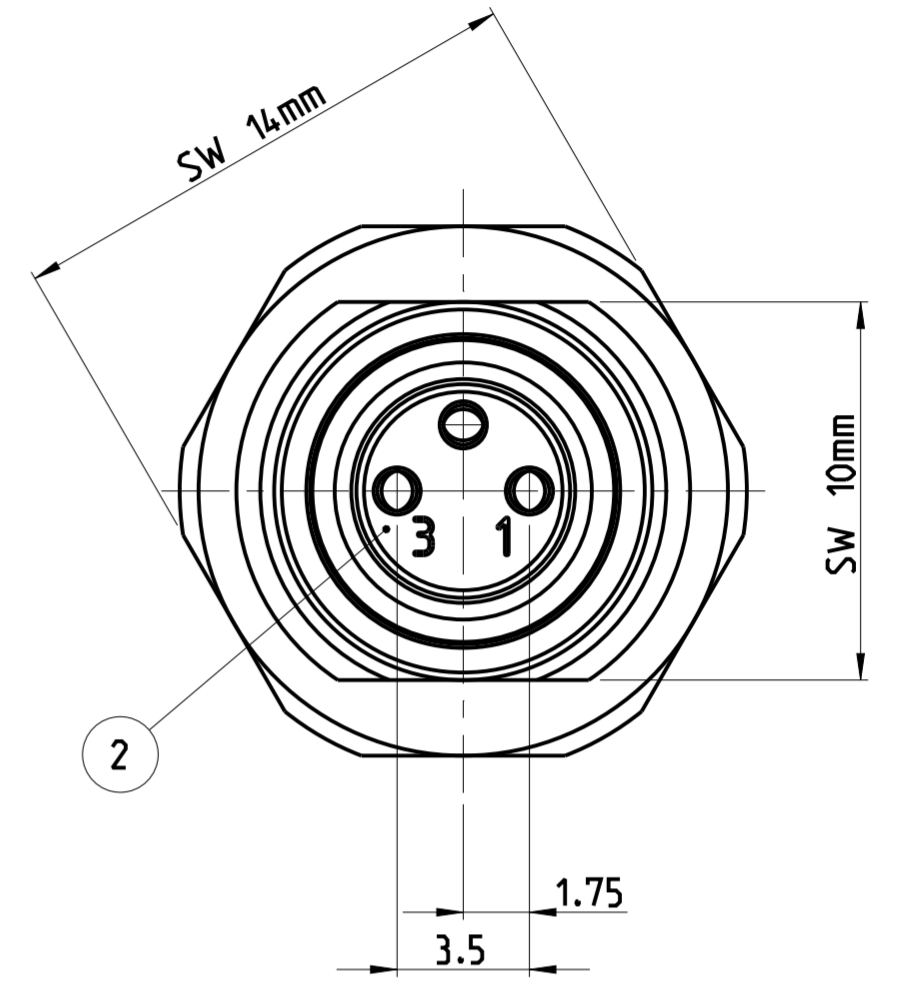
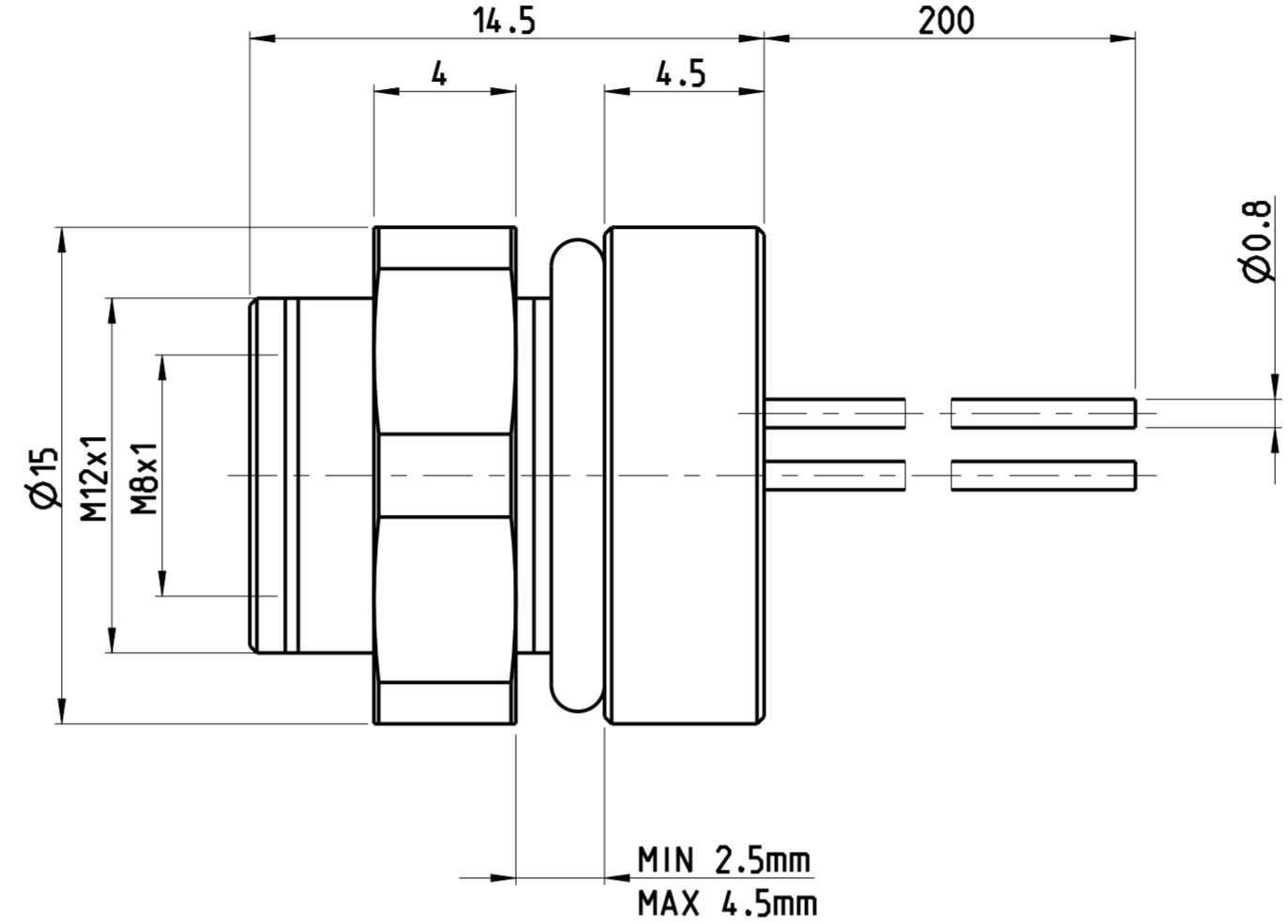
PROJECT NO.:
 PRJ-11-000004377

REVISIONS		DATE	DWN	APVD
ÄNDERUNGEN				
P	LTR	DESCRIPTION		
		BESCHREIBUNG		
A		NEW RELEASE	04DEC2014	TJ PS

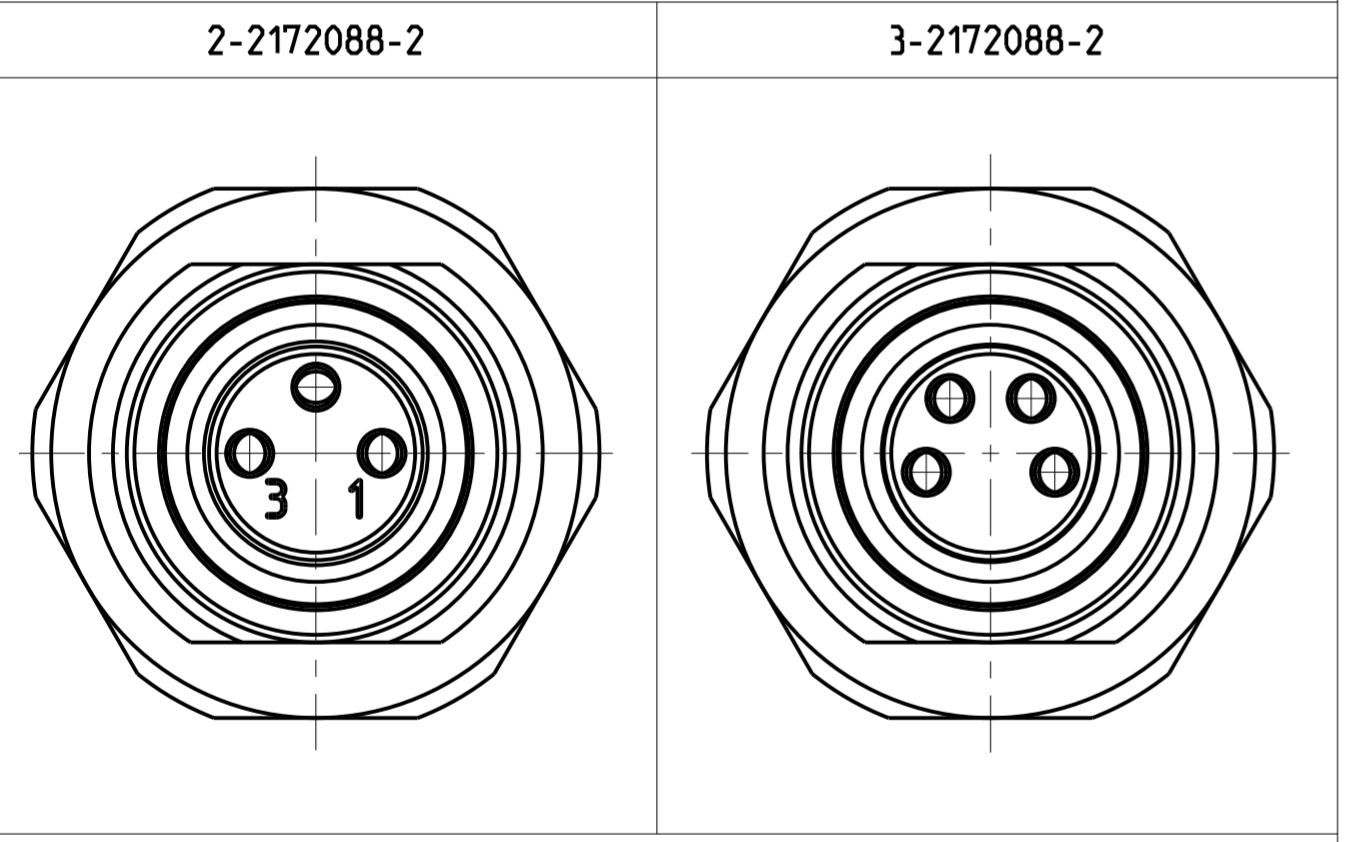
NOTES:
 1 MATERIAL: ITEM NO. 1: HOUSING - CuZn (BRASS NICKEL PLATED)
 ITEM NO. 2: CONTACT BODY - PA
 ITEM NO. 3: CONTACT - CuSn (BRONZE)
 CONTACT FINISH - Au (GOLD)

2 ALL DIMENSIONS ARE FOR NOMINAL REFERENCE ONLY UNLESS OTHERWISE STATED

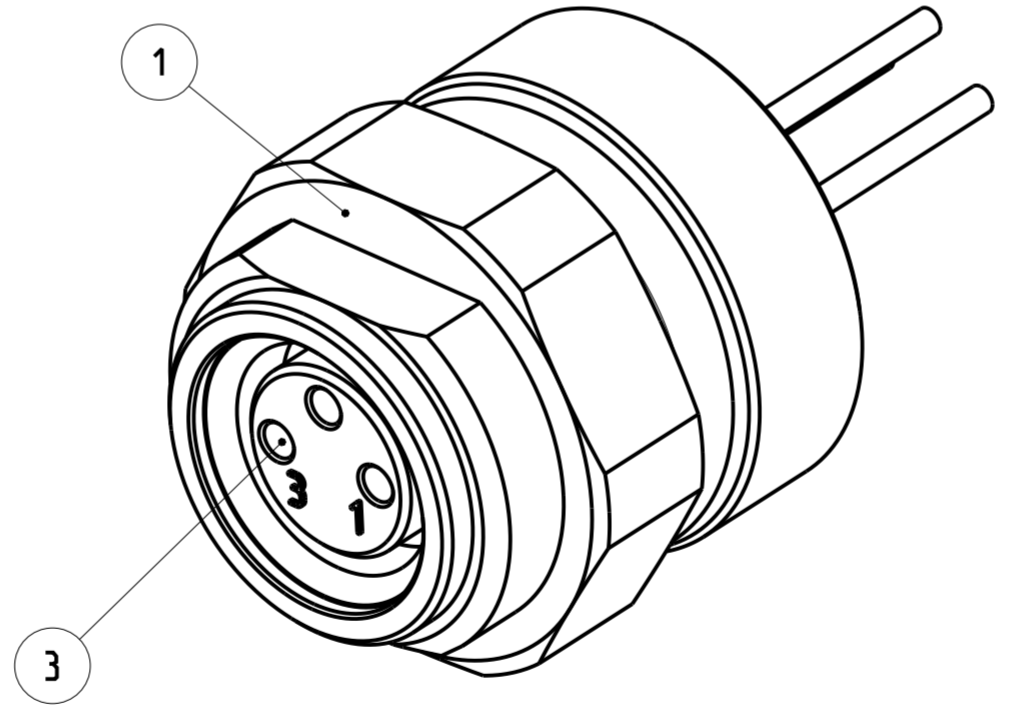
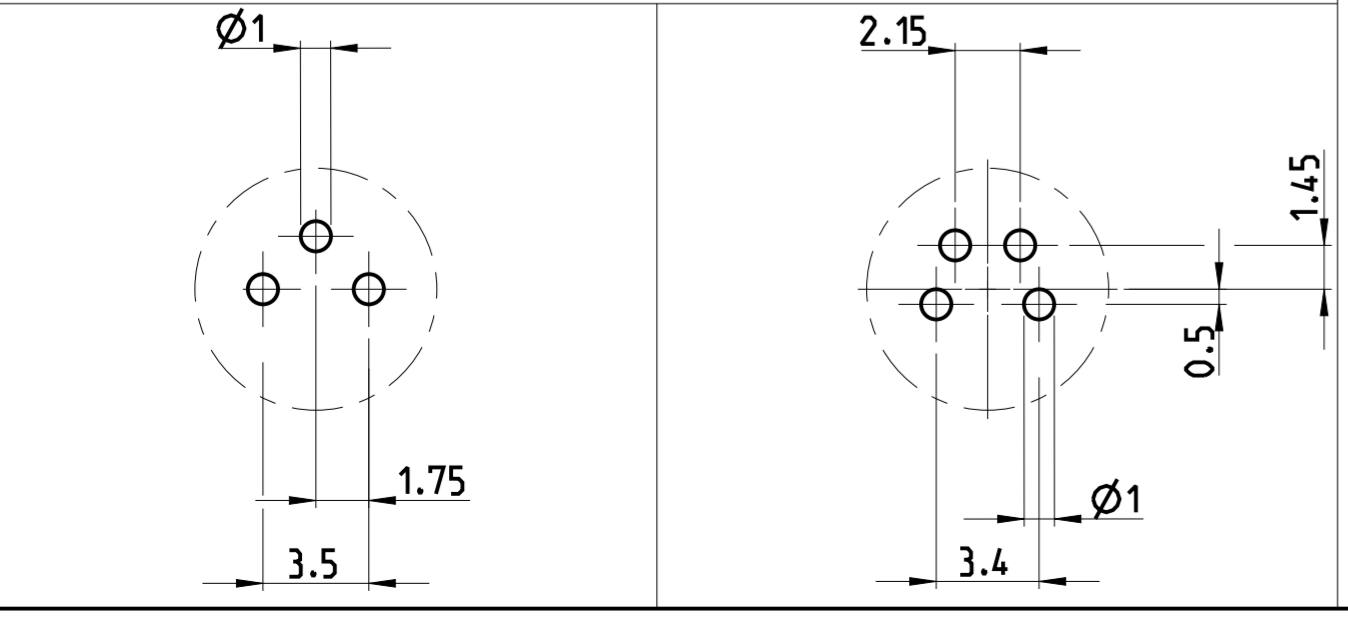
TECHNICAL DATA	2-2172088-2	3-2172088-2
RATED VOLTAGE	60V	30V
RATED IMPULSE VOLTAGE	800V	800V
POLLUTION DEGREE	3	3
OVERVOLTAGE CATEGORY	II	II
MATERIAL GROUP	II	II
RATED CURRENT	4A	4A
VOLUME RESISTIVITY	≤ 3mΩ	≤ 3mΩ
DEGREE OF PROTECTION	IP67	IP67
UPPER TEMPERATURE	+85 °C	+85 °C
LOWER TEMPERATURE	-40 °C	+40 °C



PIN ARRANGEMENT



CONDUCTOR LAYOUT



SIZE ISO 14405 (E)

DIESE ZEICHNUNG IST EIN KONTROLLIERTES DOKUMENT.
 BEMASSUNGEN UND TOLERANZEN GEMAESS GPS (ISO STANDARDS).

THIS DRAWING IS A CONTROLLED DOCUMENT.
 DIMENSIONING AND TOLERANCING PER GPS (ISO STANDARDS).

DIMENSIONS: MASSE/MASSSTAB: [mm]	TOLERANCES UNLESS OTHERWISE SPECIFIED: ALLGEMEINTOLERANZEN	DWN YASHKUMAR 13SEP2014
		CHK M. BRUBAKER 13SEP2014
		APVD M. BRUBAKER 13SEP2014
		NAME M8 RECEPTACLE, FEMALE, WIRE PANEL REAR MOUNT
		PRODUCT SPEC 108-19483
		APPLICATION SPEC 114-32127
MATERIAL	FINISH/OBERFLÄCHE/FARBE	WEIGHT GEWICHT
SEE NOTES	SEE NOTES	-

Customer Drawing

⚠	4	3-2172088-2
⚠	3	2-2172088-2
MATERIAL	NUMBER OF POLES	TE-PART-NO.



SIZE	CAGE CODE	DRAWING NO.	RESTRICTED TO
A2	00779	C-2172088	MUR FÜR
SCALE	MASSTAB	SHEET	OF
4:1	BLATT	1	VON 1
REV	A		