



Chipsmall Limited consists of a professional team with an average of over 10 year of expertise in the distribution of electronic components. Based in Hongkong, we have already established firm and mutual-benefit business relationships with customers from,Europe,America and south Asia,supplying obsolete and hard-to-find components to meet their specific needs.

With the principle of “Quality Parts,Customers Priority,Honest Operation,and Considerate Service”,our business mainly focus on the distribution of electronic components. Line cards we deal with include Microchip,ALPS,ROHM,Xilinx,Pulse,ON,Everlight and Freescale. Main products comprise IC,Modules,Potentiometer,IC Socket,Relay,Connector.Our parts cover such applications as commercial,industrial, and automotives areas.

We are looking forward to setting up business relationship with you and hope to provide you with the best service and solution. Let us make a better world for our industry!



## Contact us

Tel: +86-755-8981 8866 Fax: +86-755-8427 6832

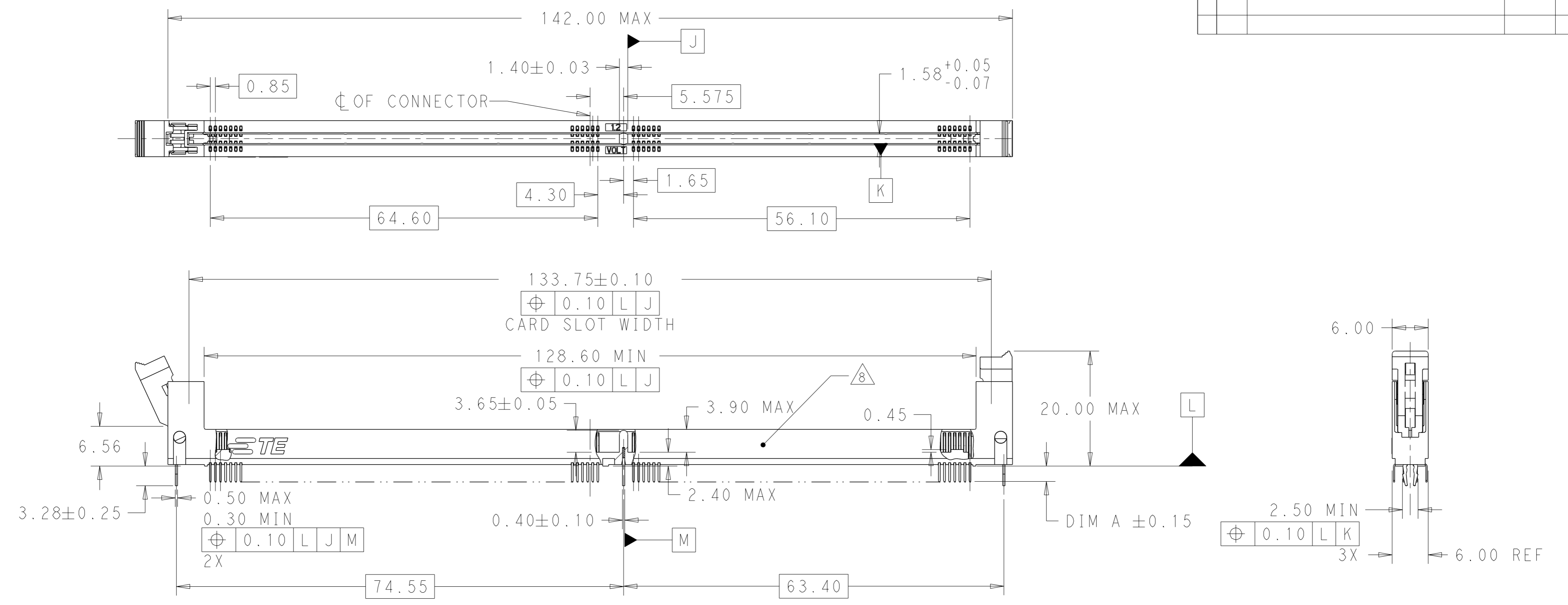
Email & Skype: info@chipsmall.com Web: www.chipsmall.com

Address: A1208, Overseas Decoration Building, #122 Zhenhua RD., Futian, Shenzhen, China



THIS DRAWING IS UNPUBLISHED. RELEASED FOR PUBLICATION 20  
 © COPYRIGHT 20 TE CONNECTIVITY ALL RIGHTS RESERVED.

LOC	DIST	REVISIONS			
P	LTR	DESCRIPTION	DATE	DWN	APVD
	B	REVISED PER ECR-16-003102	3MAR2016	D.Z	S.L



1 MATERIALS:

HOUSING: HIGH TEMPERATURE NYLON, UL94 V-0  
 EXTRACTOR: HIGH TEMPERATURE THERMOPLASTIC, UL94 V-0  
 CONTACTS: COPPER ALLOY  
 RETENTION BARB: STAINLESS STEEL

2 INTERFACE FINISH:

(1) 0.00076 MIN THK GOLD OVER 0.00127 MIN THK NICKEL.  
 (2) 0.00038 MIN THK GOLD OVER 0.00127 MIN THK NICKEL.  
 (3) 0.00050 MIN THK GOLD OVER 0.00228 MIN THK NICKEL.

3 SOLDER TAIL FINISH:

0.00300 MIN THK MATTE TIN OVER 0.00127 MIN THK NICKEL.

4 KEEP OUT ZONE.

5 KEEP OUT AREA RESERVED FOR SOCKET EXTRACTORS, BOTH ENDS.

6 FINISHED HOLE SIZE. 0.15 MAXIMUM ANNULAR RING.

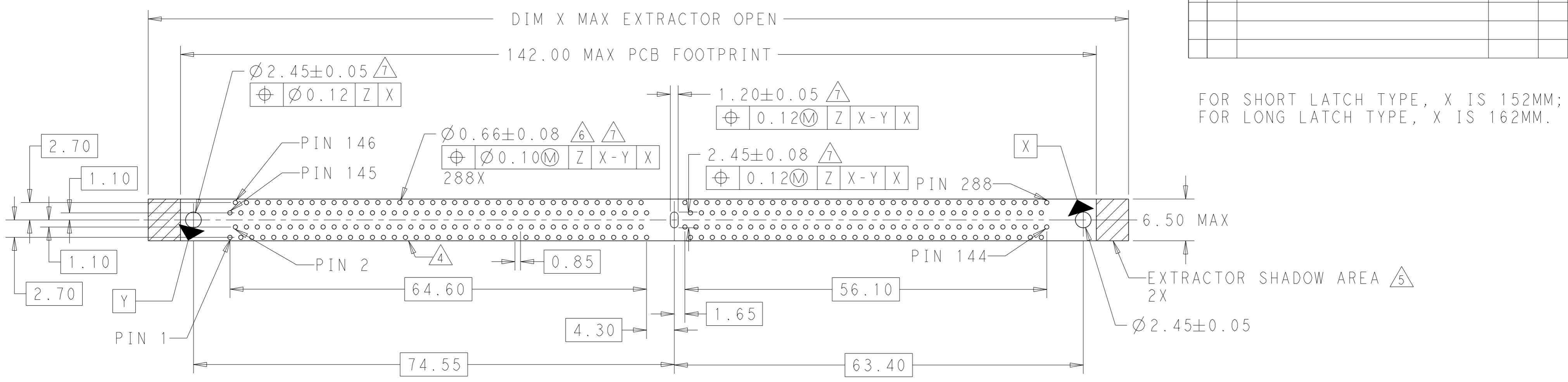
7 DATUM [Z] IS CONNECTOR SIDE SURFACE OF PCB.

8 5 DIGIT DATE CODE (YYWWD) LOCATED AS SHOWN.

THIS DRAWING IS A CONTROLLED DOCUMENT.		DWN RICHARD MA 18MAR2013		
DIMENSIONS: mm		CHK SIMON LI 18MAR2013		
TOLERANCES UNLESS OTHERWISE SPECIFIED:		APVD COREI WANG 18MAR2013	NAME SOCKET ASSEMBLY	
0 PLC ±1		PRODUCT SPEC 108-115067	DDR4 DIMM, T/H TYPE	
1 PLC ±0.25		APPLICATION SPEC 501-115076	288 POSITION	
2 PLC ±0.15		WEIGHT -	SIZE A200779	CAGE CODE C=2199154
3 PLC ±0.10		CUSTOMER DRAWING	SCALE 1:1	SHEET 1 OF 5
4 PLC ±				REV B
ANGLES ±				
FINISH ±				

THIS DRAWING IS UNPUBLISHED. RELEASED FOR PUBLICATION 20  
 © COPYRIGHT 20 TE CONNECTIVITY ALL RIGHTS RESERVED.

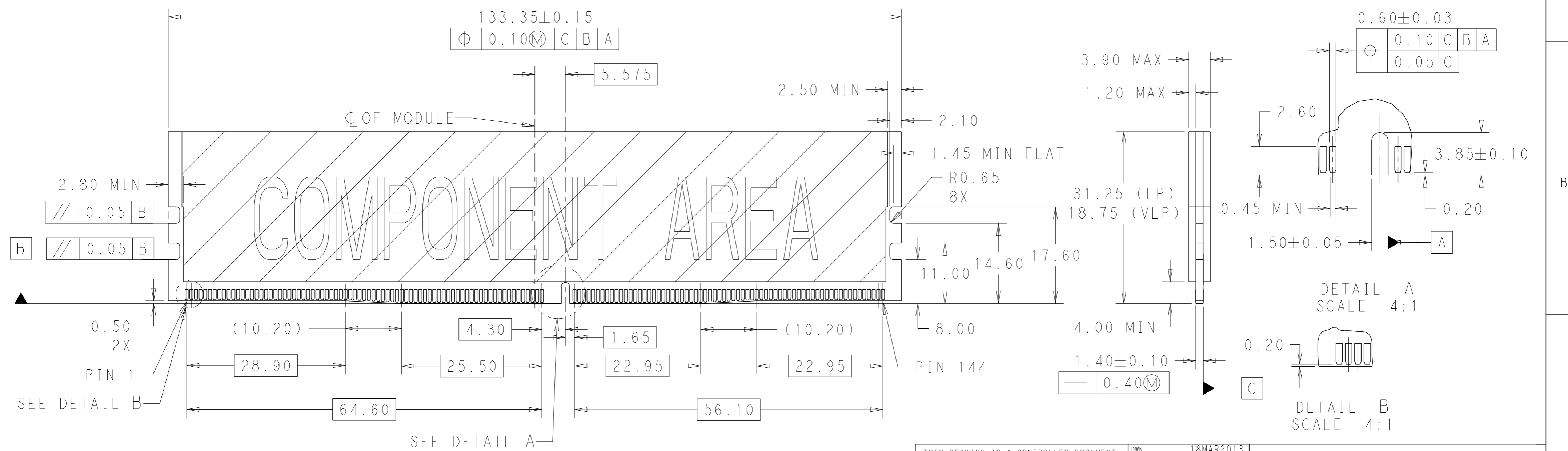
LOC		DIST		REVISIONS			
P	LTR	DESCRIPTION	DATE	DWN	APVD		
-	-	SEE SHEET 1	-	-	-		



FOR SHORT LATCH TYPE, X IS 152MM;  
 FOR LONG LATCH TYPE, X IS 162MM.

### RECOMMENDED PCB LAYOUT

VIEWED FROM CONNECTOR SIDE

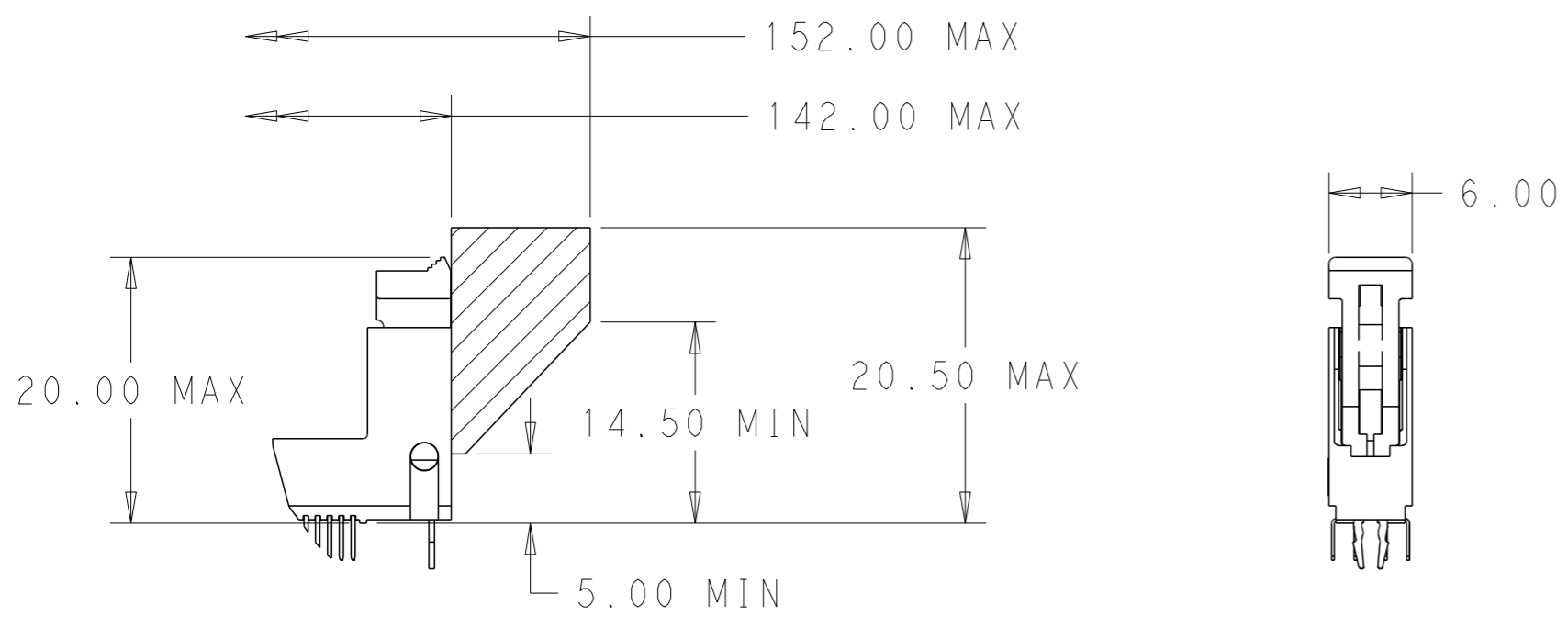


### RECOMMENDED MODULE LAYOUT

THIS DRAWING IS A CONTROLLED DOCUMENT.		DWN RICHARD MA 18MAR2013	TE Connectivity	
DIMENSIONS: mm		CHK SIMON LI 18MAR2013		
TOLERANCES UNLESS OTHERWISE SPECIFIED:		APVD COREL WANG 18MAR2013	NAME SOCKET ASSEMBLY	
0 PLC ±1 1 PLC ±0.25 2 PLC ±0.15 3 PLC ±0.10 4 PLC ± ANGLES ± FINISH ±		PRODUCT SPEC 108-115067	DDR4 DIMM, T/H TYPE	
MATERIAL		APPLICATION SPEC 501-115076	SIZE A200779	DRAWING NO C=2199154
		WEIGHT	RESTRICTED TO	
		CUSTOMER DRAWING	SCALE 1:1	SHEET 2 OF 5 REV B

THIS DRAWING IS UNPUBLISHED. RELEASED FOR PUBLICATION 20  
 © COPYRIGHT 20 TE CONNECTIVITY ALL RIGHTS RESERVED.

LOC		DIST		REVISIONS			
P	LTR	DESCRIPTION	DATE	DWN	APVD		
-	-	SEE SHEET 1	-	-	-		



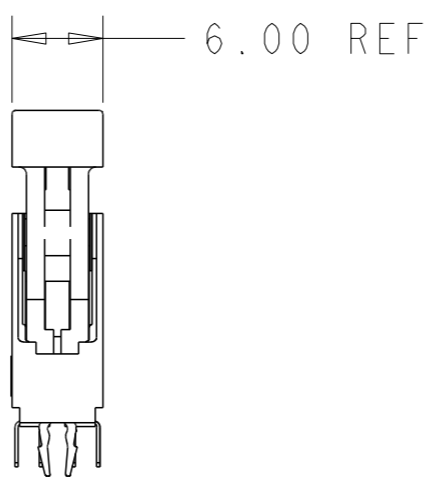
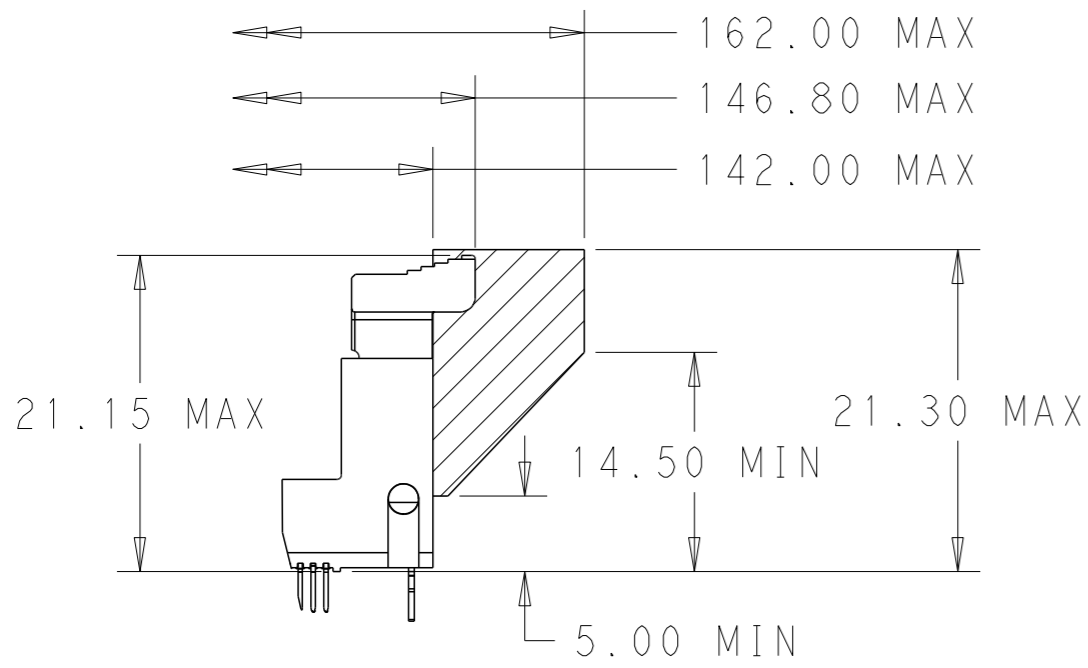
SHORT LATCH TYPE

BOARD LOCK	BLUE(2935U)	BLUE(2935U)	0.00038 MIN	2.10	9-2199154-6
BOARD LOCK	NATURAL	BLUE(2935U)	0.00038 MIN	2.10	9-2199154-3
BOARD LOCK	NATURAL	GREEN(375C)	0.00038 MIN	2.67	9-2199154-2
BOARD LOCK	GREEN(375C)	BLACK	0.00076 MIN	2.10	8-2199154-9
BOARD LOCK	NATURAL	BLUE(2935U)	0.00038 MIN	2.67	8-2199154-8
BOARD LOCK	NATURAL	YELLOW(107C)	0.00076 MIN	3.18	8-2199154-7
BOARD LOCK	NATURAL	YELLOW(107C)	0.00038 MIN	3.18	8-2199154-6
BOARD LOCK	NATURAL	BLUE(2935U)	0.00076 MIN	3.18	8-2199154-4
BOARD LOCK	GREEN(375C)	BLACK	0.00050 MIN	3.18	8-2199154-3
BOARD LOCK	NATURAL	BLUE(2935U)	0.00038 MIN	3.18	8-2199154-2
BOARD LOCK	GREEN(375C)	BLACK	0.00076 MIN	2.67	8-2199154-1
BOARD LOCK	BLUE(2935U)	BLUE(2935U)	0.00038 MIN	2.67	7-2199154-9
BOARD LOCK	NATURAL	YELLOW(107C)	0.00076 MIN	2.67	6-2199154-9
BOARD LOCK	BLUE(2935U)	BLUE(2935U)	0.00038 MIN	3.18	6-2199154-6
BOARD LOCK	BLACK	BLACK	0.00076 MIN	3.18	6-2199154-4
BOARD LOCK	NATURAL	BLACK	0.00076 MIN	3.18	6-2199154-0
BOARD LOCK	BLACK	BLACK	0.00050 MIN	3.18	5-2199154-2
BOARD LOCK	NATURAL	BLACK	0.00050 MIN	3.18	5-2199154-1
BOARD LOCK	NATURAL	NATURAL	0.00076 MIN	3.18	2-2199154-6
BOARD LOCK	NATURAL	NATURAL	0.00038 MIN	3.18	2-2199154-5
BOARD LOCK	BLACK	BLACK	0.00038 MIN	3.18	2-2199154-3
BOARD LOCK	NATURAL	BLACK	0.00038 MIN	3.18	2-2199154-1
BOARD LOCK	NATURAL	NATURAL	0.00076 MIN	2.10	1-2199154-6
BOARD LOCK	NATURAL	BLACK	0.00038 MIN	2.10	1-2199154-5
BOARD LOCK	BLACK	BLACK	0.00076 MIN	2.10	1-2199154-4
BOARD LOCK	NATURAL	NATURAL	0.00038 MIN	2.10	1-2199154-3
BOARD LOCK	NATURAL	BLACK	0.00076 MIN	2.10	1-2199154-2
BOARD LOCK	BLACK	BLACK	0.00038 MIN	2.10	1-2199154-1
BOARD LOCK	NATURAL	NATURAL	0.00076 MIN	2.67	2199154-6
BOARD LOCK	NATURAL	NATURAL	0.00038 MIN	2.67	2199154-5
BOARD LOCK	BLACK	BLACK	0.00076 MIN	2.67	2199154-4
BOARD LOCK	BLACK	BLACK	0.00038 MIN	2.67	2199154-3
BOARD LOCK	NATURAL	BLACK	0.00076 MIN	2.67	2199154-2
BOARD LOCK	NATURAL	BLACK	0.00038 MIN	2.67	2199154-1
HOUSING STYLE	EXTRACTOR COLOR	HOUSING COLOR	CONTACT GOLD INTERFACE	DIM A	PART NUMBER

THIS DRAWING IS A CONTROLLED DOCUMENT.		DWN RICHARD MA 18MAR2013		
		CHK SIMON LI 18MAR2013		
DIMENSIONS: mm		APVD COREI WANG 18MAR2013	NAME SOCKET ASSEMBLY DDR4 DIMM, T/H TYPE 288 POSITION	
TOLERANCES UNLESS OTHERWISE SPECIFIED:		PRODUCT SPEC 108-115067	RESTRICTED TO	
0 PLC ±1 1 PLC ±0.25 2 PLC ±0.15 3 PLC ±0.10 4 PLC ± ANGLES ± FINISH ±		APPLICATION SPEC 501-115076	SIZE A200779	DRAWING NO C=2199154
MATERIAL		WEIGHT	SCALE 1:1	SHEET 3 OF 5
		CUSTOMER DRAWING	REV B	

THIS DRAWING IS UNPUBLISHED. RELEASED FOR PUBLICATION 20  
 © COPYRIGHT 20 TE CONNECTIVITY ALL RIGHTS RESERVED.

LOC		DIST		REVISIONS			
P	LTR	DESCRIPTION		DATE	DWN	APVD	
-	-	SEE SHEET 1		-	-	-	



LONG LATCH TYPE

BOARD LOCK	NATURAL	GREEN(375C)	0.00076 MIN	3.18	9-2199154-9
BOARD LOCK	NATURAL	YELLOW(107C)	0.00076 MIN	3.18	9-2199154-8
BOARD LOCK	NATURAL	BLUE(2935U)	0.00076 MIN	3.18	9-2199154-7
BOARD LOCK	NATURAL	GREEN(375C)	0.00038 MIN	2.10	9-2199154-5
BOARD LOCK	NATURAL	BLUE(2935U)	0.00038 MIN	2.10	9-2199154-4
BOARD LOCK	NATURAL	BLUE(2935U)	0.00038 MIN	3.18	9-2199154-0
BOARD LOCK	BLUE(2935U)	BLUE(2935U)	0.00038 MIN	2.10	8-2199154-0
BOARD LOCK	BLUE(2935U)	BLUE(2935U)	0.00038 MIN	2.67	7-2199154-8
BOARD LOCK	BLACK	BLACK	0.00076 MIN	3.18	7-2199154-6
BOARD LOCK	BLUE(2935U)	BLUE(2935U)	0.00038 MIN	3.18	7-2199154-5
BOARD LOCK	NATURAL	NATURAL	0.00038 MIN	3.18	7-2199154-4
BOARD LOCK	BLACK	BLACK	0.00038 MIN	3.18	7-2199154-3
BOARD LOCK	NATURAL	BLACK	0.00038 MIN	2.67	6-2199154-8
BOARD LOCK	NATURAL	BLUE(2935U)	0.00038 MIN	2.67	6-2199154-7
BOARD LOCK	NATURAL	YELLOW(107C)	0.00038 MIN	2.67	6-2199154-5
BOARD LOCK	NATURAL	BLACK	0.00038 MIN	3.18	6-2199154-1
BOARD LOCK	BLACK	BLACK	0.00038 MIN	2.40	5-2199154-9
BOARD LOCK	NATURAL	NATURAL	0.00038 MIN	2.40	5-2199154-8
BOARD LOCK	BLACK	BLACK	0.00076 MIN	2.40	5-2199154-7
BOARD LOCK	NATURAL	NATURAL	0.00076 MIN	2.40	5-2199154-6
BOARD LOCK	NATURAL	BLACK	0.00076 MIN	2.67	5-2199154-5
BOARD LOCK	BLACK	BLACK	0.00076 MIN	2.67	5-2199154-4
WIDER BOARD LOCK	NATURAL	BLACK	0.00038 MIN	2.10	5-2199154-3
WIDER BOARD LOCK	NATURAL	BLUE(2935U)	0.00038 MIN	2.10	5-2199154-0
WIDER BOARD LOCK	NATURAL	GREEN(375C)	0.00038 MIN	2.10	4-2199154-9
BOARD LOCK	NATURAL	BLACK	0.00038 MIN	2.40	4-2199154-8
BOARD LOCK	NATURAL	YELLOW(107C)	0.00038 MIN	2.40	4-2199154-7
BOARD LOCK	NATURAL	BLACK	0.00076 MIN	3.18	2-2199154-8
BOARD LOCK	BLACK	BLACK	0.00038 MIN	2.10	1-2199154-9
BOARD LOCK	NATURAL	NATURAL	0.00038 MIN	2.10	1-2199154-8
BOARD LOCK	NATURAL	BLACK	0.00038 MIN	2.10	1-2199154-7
BOARD LOCK	BLACK	BLACK	0.00038 MIN	2.67	2199154-9
BOARD LOCK	NATURAL	NATURAL	0.00038 MIN	2.67	2199154-8
BOARD LOCK	NATURAL	BLACK	0.00038 MIN	2.67	2199154-7
HOUSING STYLE	EXTRACTOR COLOR	HOUSING COLOR	CONTACT GOLD INTERFACE	DIM A	PART NUMBER

THIS DRAWING IS A CONTROLLED DOCUMENT.

DWN RICHARD MA 18MAR2013  
 CHK SIMON LI 18MAR2013  
 APVD COREI WANG 18MAR2013

**TE** TE Connectivity

NAME SOCKET ASSEMBLY  
 DDR4 DIMM, T/H TYPE  
 288 POSITION

PRODUCT SPEC 108-115067  
 APPLICATION SPEC 501-115076

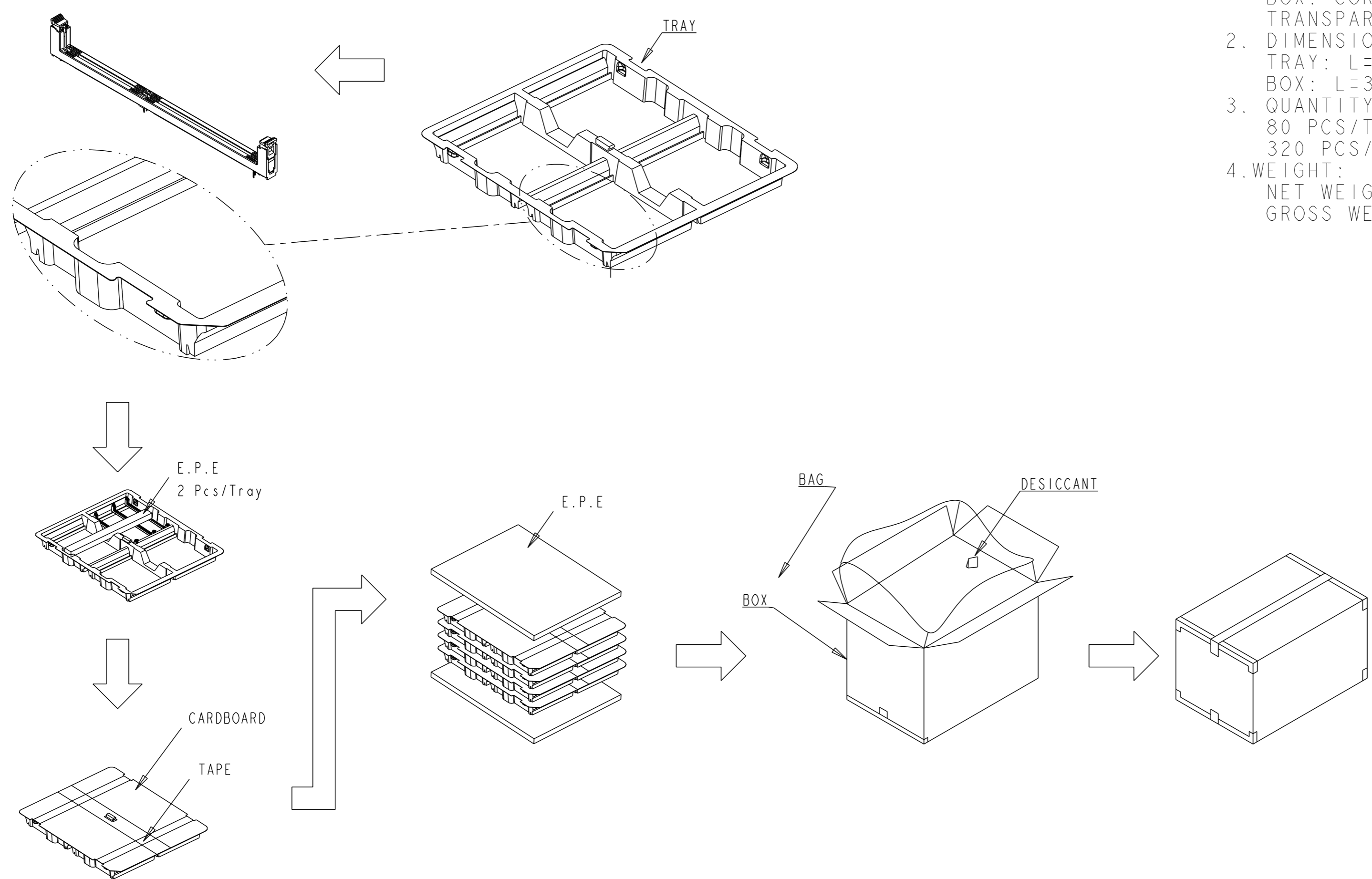
SIZE A200779 CAGE CODE C=2199154  
 DRAWING NO. 2199154-9

RESTRICTED TO -

CUSTOMER DRAWING SCALE 1:1 SHEET 4 OF 5 REV B

THIS DRAWING IS UNPUBLISHED. RELEASED FOR PUBLICATION 20  
 © COPYRIGHT 20 TE CONNECTIVITY ALL RIGHTS RESERVED.

LOC		DIST		REVISIONS			
P	LTR	DESCRIPTION	DATE	DWN	APVD		
-	-						



- MATERIALS :  
 TRAY: PVC, COLOR: TRANSPARENT  
 BOX: CORRUGATED FIBERBOARD  
 TRANSPARENT BAG: PE
- DIMENSIONS:  
 TRAY: L=343;W=292;H=32.5  
 BOX: L=365;W=310;H=200
- QUANTITY:  
 80 PCS/TRAY  
 320 PCS/BOX
- WEIGHT:  
 NET WEIGHT: 1.9KG  
 GROSS WEIGHT: 3.4KG

THIS DRAWING IS A CONTROLLED DOCUMENT.		DWN RICHARD MA 18MAR2013	TE Connectivity	
DIMENSIONS: mm		CHK SIMON LI 18MAR2013		
TOLERANCES UNLESS OTHERWISE SPECIFIED:		APVD COREI WANG 18MAR2013	NAME SOCKET ASSEMBLY DDR4 DIMM, T/H TYPE 288 POSITION	
		PRODUCT SPEC 108-115067	SIZE A200779	DRAWING NO C=2199154
MATERIAL		APPLICATION SPEC 501-115076	CAGE CODE	RESTRICTED TO
		WEIGHT -	SCALE 1:1	SHEET 5 OF 5
		CUSTOMER DRAWING	REV B	