



Chipsmall Limited consists of a professional team with an average of over 10 year of expertise in the distribution of electronic components. Based in Hongkong, we have already established firm and mutual-benefit business relationships with customers from,Europe,America and south Asia,supplying obsolete and hard-to-find components to meet their specific needs.

With the principle of “Quality Parts,Customers Priority,Honest Operation,and Considerate Service”,our business mainly focus on the distribution of electronic components. Line cards we deal with include Microchip,ALPS,ROHM,Xilinx,Pulse,ON,Everlight and Freescale. Main products comprise IC,Modules,Potentiometer,IC Socket,Relay,Connector.Our parts cover such applications as commercial,industrial, and automotives areas.

We are looking forward to setting up business relationship with you and hope to provide you with the best service and solution. Let us make a better world for our industry!



Contact us

Tel: +86-755-8981 8866 Fax: +86-755-8427 6832

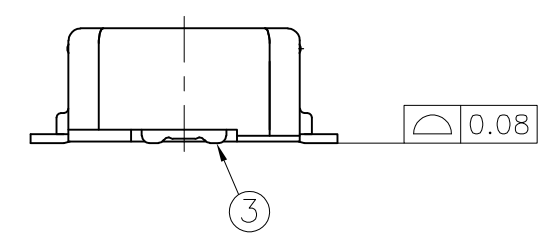
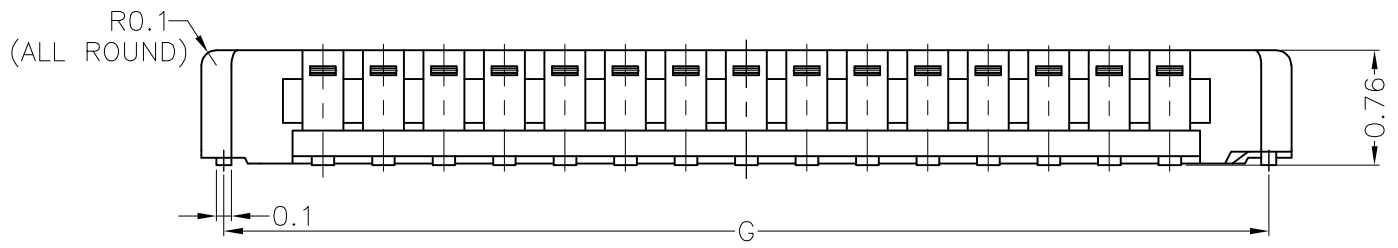
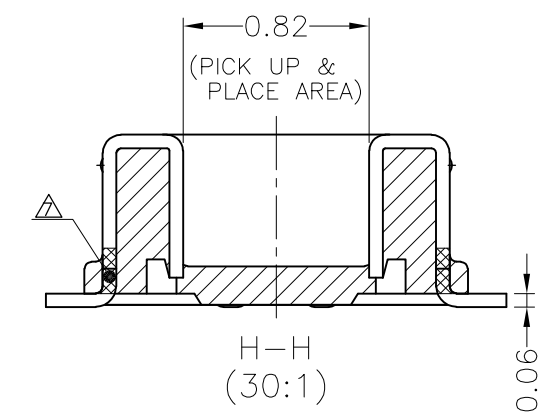
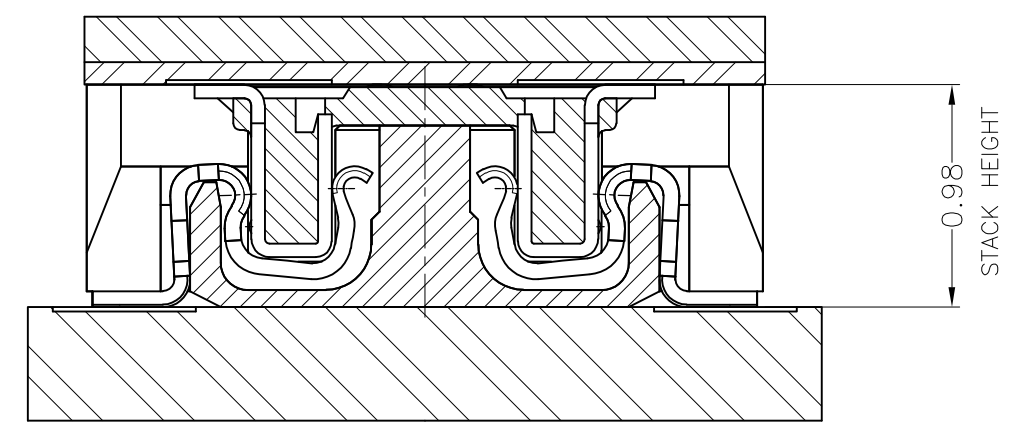
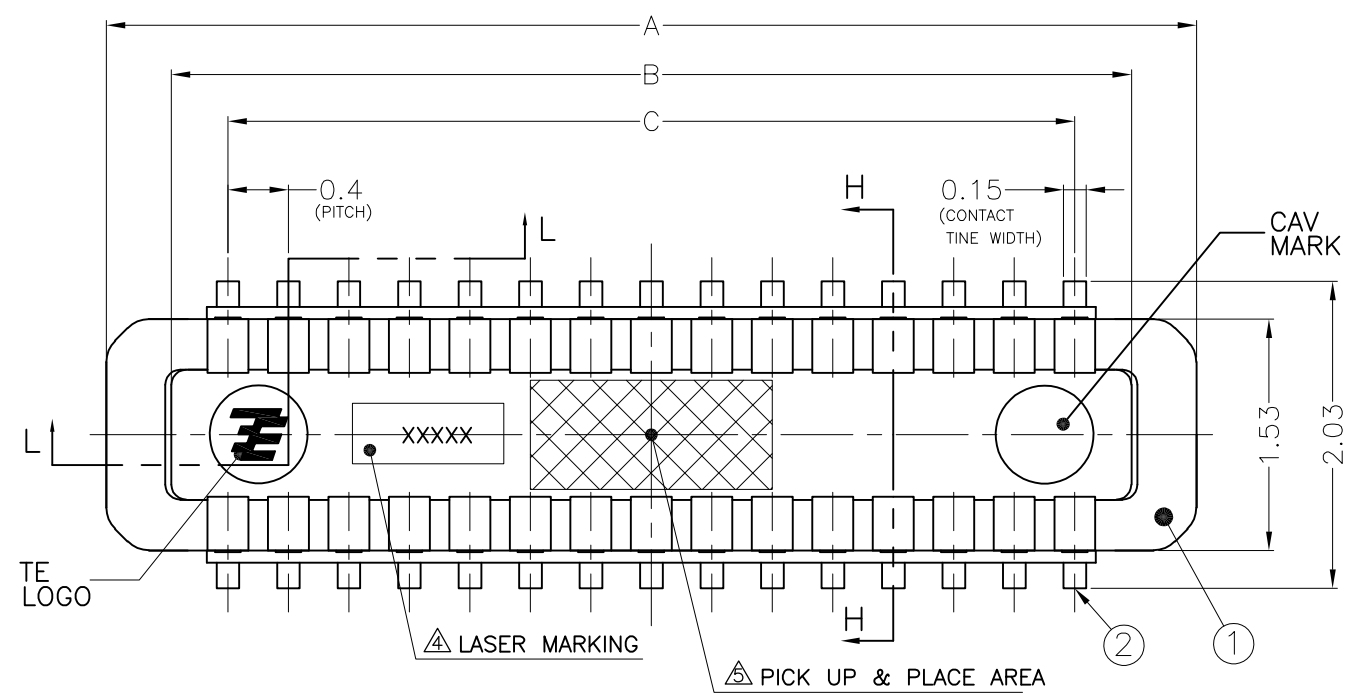
Email & Skype: info@chipsmall.com Web: www.chipsmall.com

Address: A1208, Overseas Decoration Building, #122 Zhenhua RD., Futian, Shenzhen, China



THIS DRAWING IS UNPUBLISHED. RELEASED FOR PUBLICATION
 © COPYRIGHT - By Tyco Electronics Japan G.K. ALL RIGHTS RESERVED.

LOC	DIST	REVISIONS					
		P	LTR	DESCRIPTION	DATE	DWN	APVD
J	-	A	RELEASED		02AUG2012	C.H	T.K



Ni UNDER PL; 0.65um Sn PL.; 2~5um	COPPER ALLOY	PLUG PEG	3
Ni UNDER PL; 0.65um Au PL.(CONTACT AREA); 0.1um MIN. Au PL.(TINE AREA); 0.05um MIN.	COPPER ALLOY	PLUG CONTACT	2
	LCP,UL94V-0,BLACK	PLUG HOUSING	1
△ FINISH	△ MATERIAL	NAME	ITEM NO.

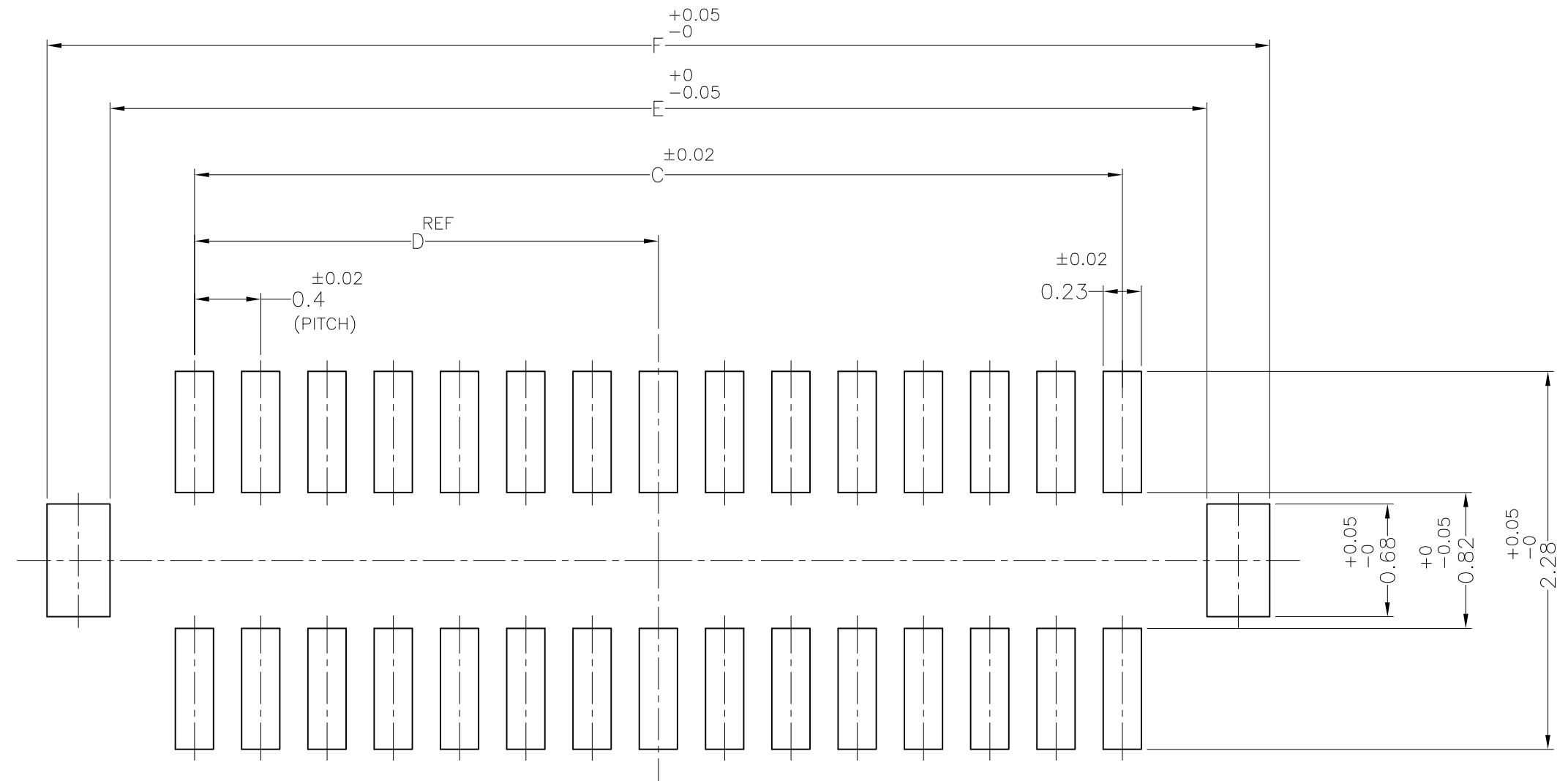
THIS DRAWING IS A CONTROLLED DOCUMENT.

DIMENSIONS: mm	TOLERANCES UNLESS OTHERWISE SPECIFIED:	DWN C.HIKAGE 02AUG2012	TE Connectivity
	0 PLC ± 0.1	CHK A.KUBO 02AUG2012	
	1 PLC ± 0.1	APVD T.KUSUHARA 02AUG2012	
	2 PLC ± 0.1	PRODUCT SPEC 108-78916	
	3 PLC ± 0.1	APPLICATION SPEC 411-78379	NAME 0.4mm PITCH STACKING CONNECTOR PLUG ASSEMBLY 0.98mm HEIGHT
	4 PLC ± 0.1	WEIGHT	SIZE A3
	ANGLES ± 3°		CAGE CODE 00779
MATERIAL △	FINISH △		DRAWING NO C-2201196
			RESTRICTED TO -
			SCALE 20:1
			SHEET 1 OF 3
			REV A

CUSTOMER DRAWING

THIS DRAWING IS UNPUBLISHED. RELEASED FOR PUBLICATION
 © COPYRIGHT - By Tyco Electronics Japan G.K. ALL RIGHTS RESERVED.

LOC	DIST	REVISIONS					
J	-	P	LTR	DESCRIPTION	DATE	DWN	APVD
		-		SEE SHEET 1	-	-	-



△ REFERENCE PCB LAYOUT
 (VIEWED FROM MOUNTING SIDE)

- NOTE
- ① MATERIAL REFER TO THE TABLE.
 - ② FINISH REFER TO THE TABLE.
 - 3. MATING CONNECTOR : P/N: *-2201197-*
 - ④ LASER MARKING; XXXXX
DATE CODE MACHINE CODE (YWW)
 - ⑤ PICK UP THE CONNECTOR AT CENTER
 - ⑥ RECOMMENDED METAL MASK; THICKNESS 0.1mm
 - ⑦ Ni DAM AREA

THIS DRAWING IS A CONTROLLED DOCUMENT.		DWN	TE Connectivity			
DIMENSIONS: mm		CHK				
		APVD				
TOLERANCES UNLESS OTHERWISE SPECIFIED:		PRODUCT SPEC				
0 PLC ± 0.1 1 PLC ± 0.1 2 PLC ± 0.1 3 PLC ± 0.1 4 PLC ± 0.1 ANGLES ± 3°		APPLICATION SPEC	NAME			
MATERIAL		WEIGHT	SIZE	CAGE CODE	DRAWING NO	RESTRICTED TO
FINISH		CUSTOMER DRAWING		A3	00779	C-2201196
		SCALE		NTS	SHEET	2 OF 3
				REV		A

THIS DRAWING IS UNPUBLISHED.

RELEASED FOR PUBLICATION

© COPYRIGHT - By Tyco Electronics Japan G.K.

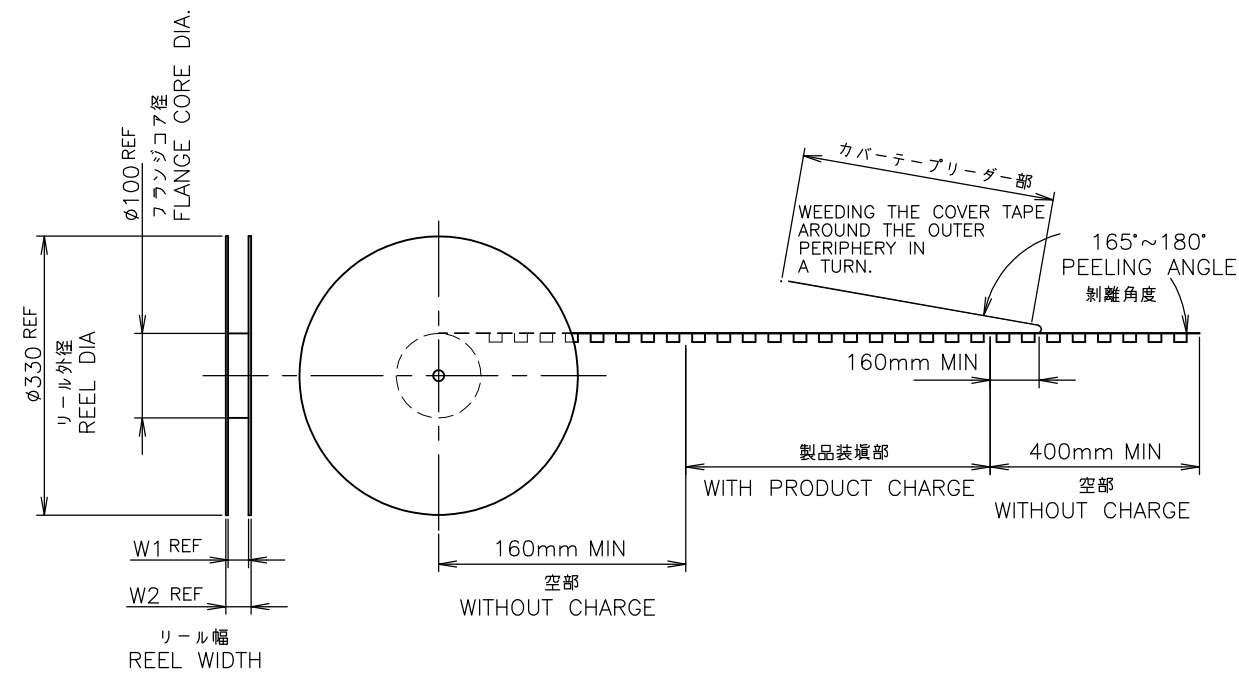
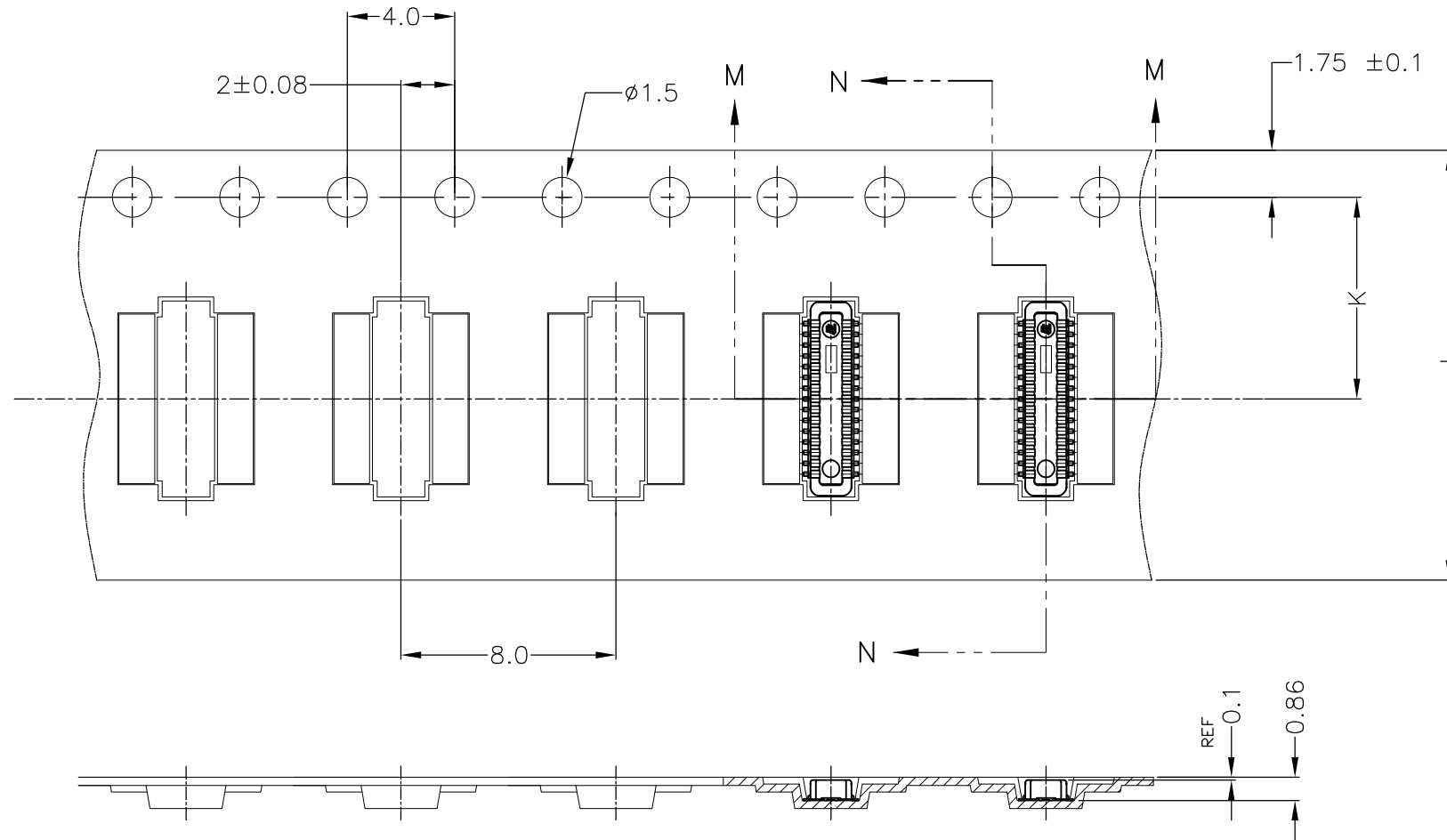
ALL RIGHTS RESERVED.

LOC J DIST -

REVISIONS

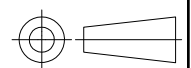
P	LTR	DESCRIPTION	DATE	DWN	APVD
-	-	SEE SHEET 1	-	-	-

UNREELING DIRECTION 



741.0	22.1	17.5	7.5	16	6.91	7.38	6.62	2.8	5.6	6.35	7.21	5000	30	3-2201196-0
731.5	22.1	17.5	7.5	16	5.71	6.18	5.42	2.2	4.4	5.15	6.01		24	2-2201196-4
708.5	18.1	13.5	5.5	12	2.91	3.38	2.62	0.8	1.6	2.35	3.21		10	1-2201196-0
REEL WEIGHT(g)	W2	W1	K	J	G	F	E	D	C	B	A	QTY/REEL	Pos.	PART NUMBER

THIS DRAWING IS A CONTROLLED DOCUMENT.

DIMENSIONS:	TOLERANCES UNLESS OTHERWISE SPECIFIED:
mm	
	0 PLC ± 0.1
	1 PLC ± 0.1
	2 PLC ± 0.1
	3 PLC ± 0.1
	4 PLC ± 0.1
	ANGLES ± 3°
MATERIAL	FINISH

STE TE Connectivity

NAME: 0.4mm PITCH STACKING CONNECTOR PLUG ASSEMBLY 0.98mm HEIGHT

SIZE: A3 CAGE CODE: 00779 DRAWING NO: C-2201196 RESTRICTED TO: []

WEIGHT: []

CUSTOMER DRAWING SCALE: NTS SHEET: 3 of 3 REV: A