



Chipsmall Limited consists of a professional team with an average of over 10 year of expertise in the distribution of electronic components. Based in Hongkong, we have already established firm and mutual-benefit business relationships with customers from,Europe,America and south Asia,supplying obsolete and hard-to-find components to meet their specific needs.

With the principle of “Quality Parts,Customers Priority,Honest Operation,and Considerate Service”,our business mainly focus on the distribution of electronic components. Line cards we deal with include Microchip,ALPS,ROHM,Xilinx,Pulse,ON,Everlight and Freescale. Main products comprise IC,Modules,Potentiometer,IC Socket,Relay,Connector.Our parts cover such applications as commercial,industrial, and automotives areas.

We are looking forward to setting up business relationship with you and hope to provide you with the best service and solution. Let us make a better world for our industry!



## Contact us

Tel: +86-755-8981 8866 Fax: +86-755-8427 6832

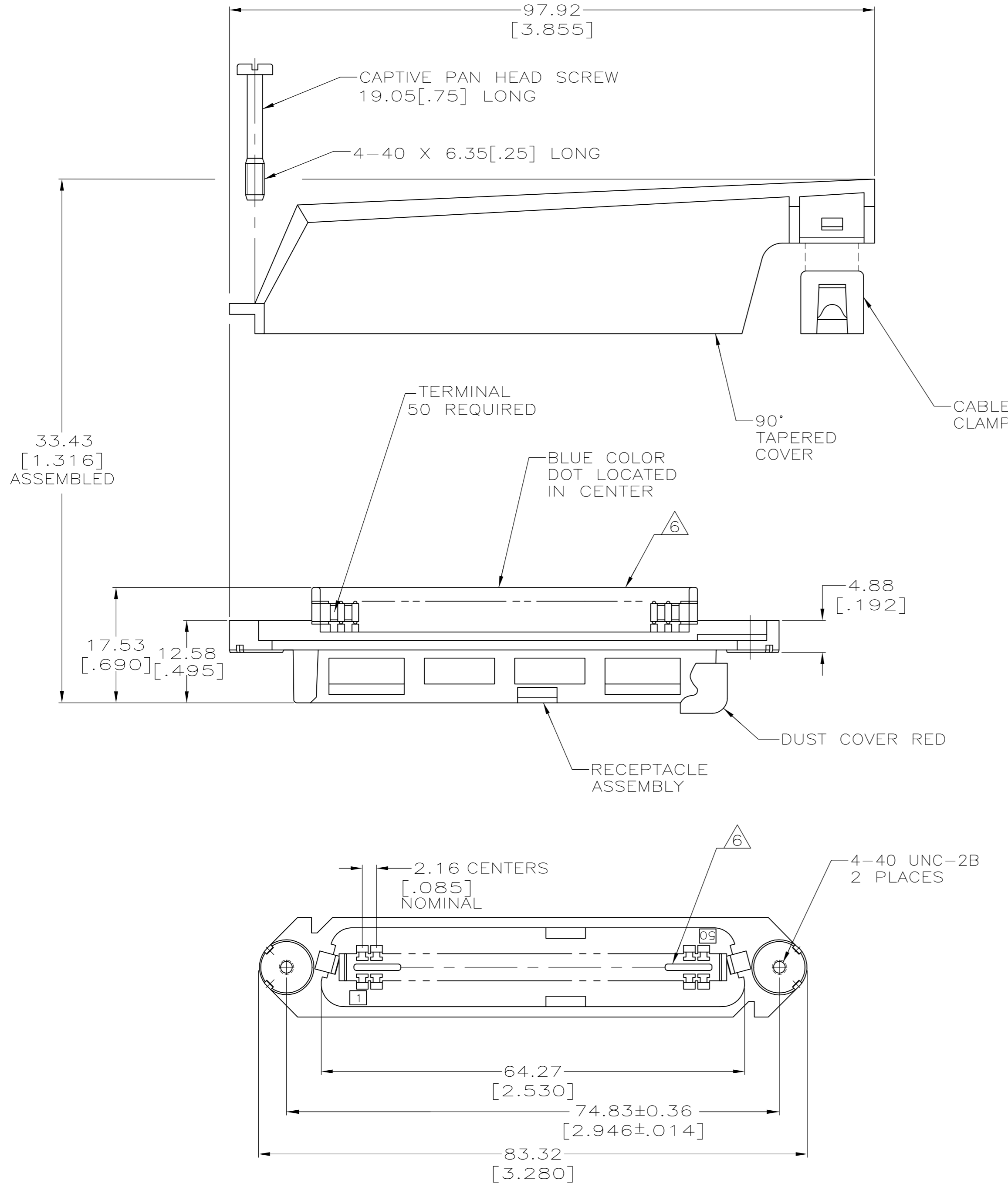
Email & Skype: info@chipsmall.com Web: www.chipsmall.com

Address: A1208, Overseas Decoration Building, #122 Zhenhua RD., Futian, Shenzhen, China



THIS DRAWING IS UNPUBLISHED. RELEASED FOR PUBLICATION  
 © COPYRIGHT - By - ALL RIGHTS RESERVED.

LOC		DIST		REVISIONS			
P	LTR	DESCRIPTION	DATE	DWN	APVD		
GP	00	AL1	REVISED PER ECO-11-004835	11MAR11	RK	HMR	



- THE CONTACT SURFACES OF THE TERMINALS ARE COATED WITH LUBRICANT.
- DIMENSIONS ARE MAXIMUM UNLESS OTHERWISE SPECIFIED.
- MATERIAL: HOUSING AND COVER - POLYPHENYLENE OXIDE.  
 CABLE CLAMP - POLYESTER MOLDING COMPOUND.  
 TERMINAL - HIGH STRENGTH COPPER ALLOY PLATED WITH 0.76µm [.000030] MIN GOLD OR GOLD FLASH OVER PALLADIUM NICKEL PLATE, 0.76µm [.000030] MIN TOTAL ON MATING SURFACE, OVER 1.27µm [.000050] MIN NICKEL PLATING.  
 HARDWARE - ZINC PLATED STEEL.  
 DUST COVER - POLYETHYLENE MOLDING COMPOUND.
- THIS KIT SHIPPED NOT ASSEMBLED.
- WIRE SIZE: 24 & 26 AWG SOLID & 24 AWG STRAND COPPER CONDUCTORS. MAXIMUM INSULATION DIAMETER OF 1.15 [.045] IS ACCEPTABLE FOR MOST APPLICATIONS.
- CORING MAY OR MAY NOT APPEAR AND IS AT THE DISCRETION OF AMP INCORPORATED.
- OBSOLETE

PACKAGING	CABLE RANGE	DUST COVER	COLOR	PART NUMBER
BULK PACKED	φ7.62-8.26 [φ.300-.325]	YES	BLACK	△ 6-229913-7
	φ8.89-10.80 [φ.350-.425]	YES	GRAY	△ 6-229913-4
		YES	BLACK	△ 6-229913-3
POLY BAGGED	φ10.80-12.70 [φ.425-.500]	NO	BLACK	△ 6-229913-1
		YES	BLACK	△ 3-229913-1
	NO	BLACK	△ 2-229913-1	
	YES	GRAY	△ 1-229913-4	
	YES	BLACK	△ 1-229913-1	
NO	GRAY	△ 229913-4		
NO	BLACK	△ 229913-1		

THIS DRAWING IS A CONTROLLED DOCUMENT.

DWN L. McEACHIN/UTA 30 AUG 93  
 CHK C. WHITT 09 NOV 93  
 APVD J. TRAMMEL 15 NOV 93

TE Connectivity

RECEPTACLE KIT, 50 POSITION, B-SLOT, SCREW LOCK, TAPERED COVER, CHAMP-LOK®

SIZE A2 CAGE CODE 00779 DRAWING NO C=229913 RESTRICTED TO -

MATERIAL FINISH WEIGHT CUSTOMER DRAWING SCALE 2:1 SHEET 1 OF 1 REV AL1