



Chipsmall Limited consists of a professional team with an average of over 10 year of expertise in the distribution of electronic components. Based in Hongkong, we have already established firm and mutual-benefit business relationships with customers from,Europe,America and south Asia,supplying obsolete and hard-to-find components to meet their specific needs.

With the principle of “Quality Parts,Customers Priority,Honest Operation,and Considerate Service”,our business mainly focus on the distribution of electronic components. Line cards we deal with include Microchip,ALPS,ROHM,Xilinx,Pulse,ON,Everlight and Freescale. Main products comprise IC,Modules,Potentiometer,IC Socket,Relay,Connector.Our parts cover such applications as commercial,industrial, and automotives areas.

We are looking forward to setting up business relationship with you and hope to provide you with the best service and solution. Let us make a better world for our industry!



## Contact us

Tel: +86-755-8981 8866 Fax: +86-755-8427 6832

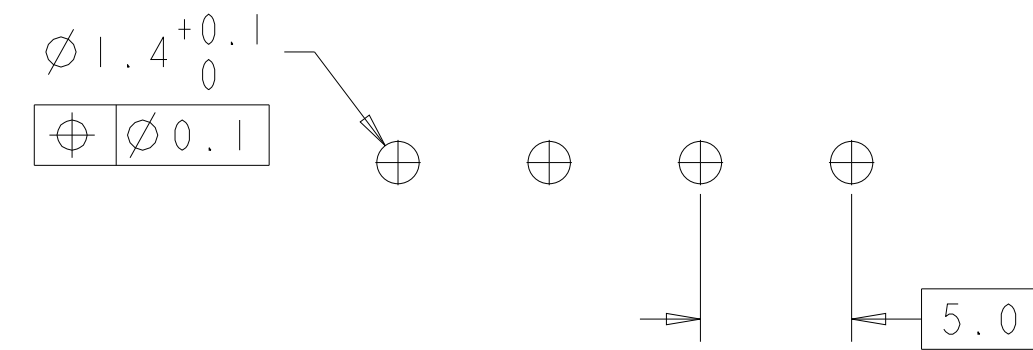
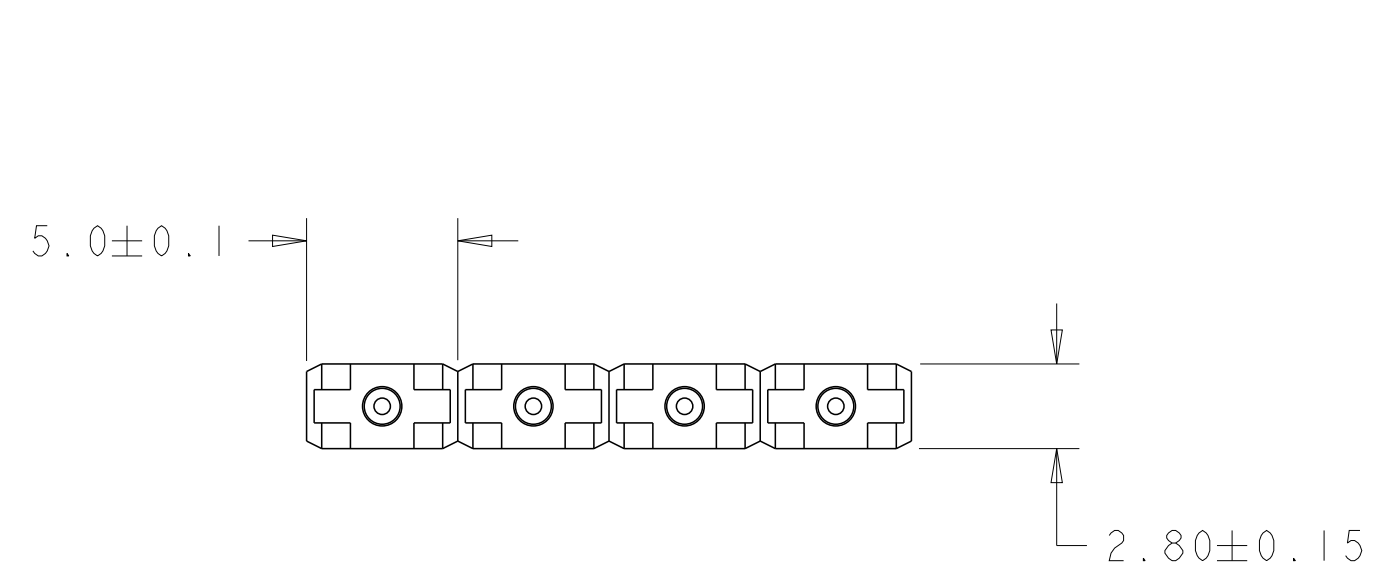
Email & Skype: info@chipsmall.com Web: www.chipsmall.com

Address: A1208, Overseas Decoration Building, #122 Zhenhua RD., Futian, Shenzhen, China

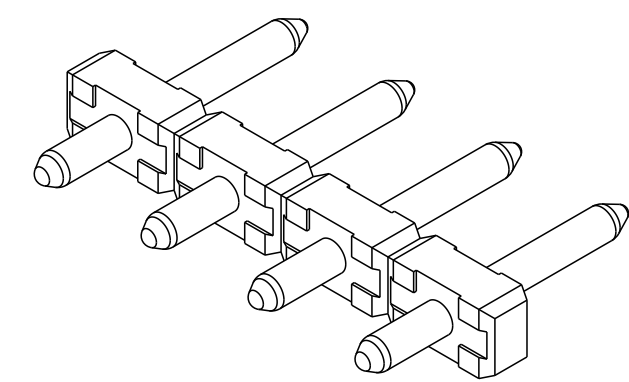
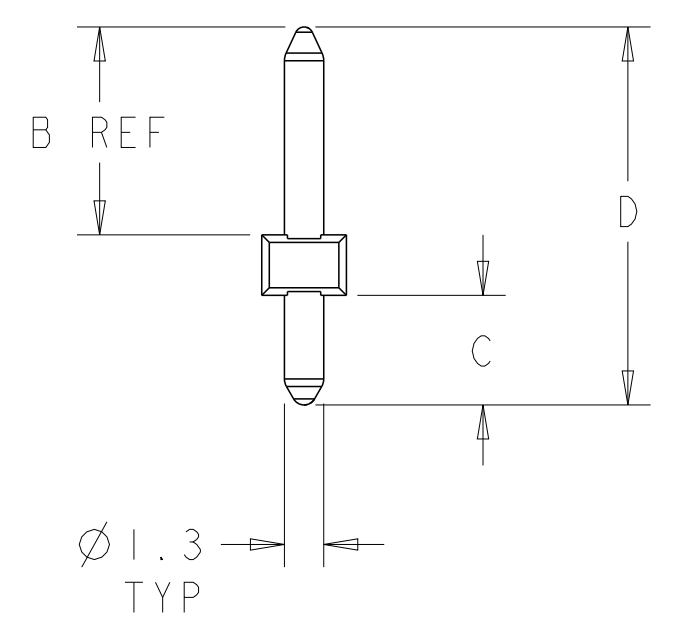
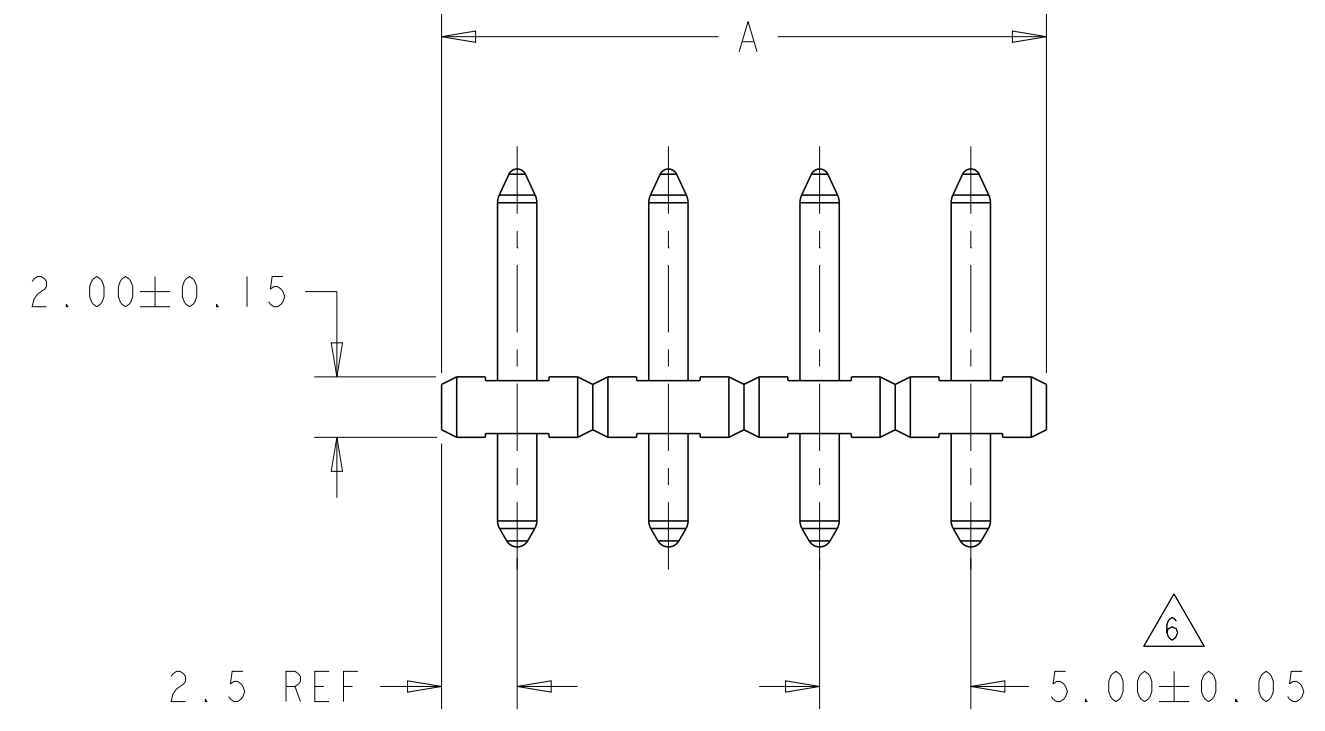


THIS DRAWING IS UNPUBLISHED. RELEASED FOR PUBLICATION 20  
 © COPYRIGHT 20 BY - ALL RIGHTS RESERVED.

LOC		DIST		REVISIONS			
P	LTR	DESCRIPTION		DATE	DWN	APVD	
		H5		HOUSING MATERIAL DETAIL CORRECTED	05DEC2014	PS	JK



RECOMMENDED PC BOARD LAYOUT



282832-4 AS SHOWN

PRELIMINARY	TIN	20.5	4.5	14	30	6	4-282832-0
PRELIMINARY	TIN	20.5	3.5	15	20	4	3-282832-9
PRELIMINARY	TIN	20.5	3.5	15	15	3	3-282832-8
		16.5	3.5	11	20	4	3-282832-7
		20.5	4.5	14	15	3	3-282832-6
	TIN	21.1		15.6	20	4	3-282832-5
					15	3	3-282832-4
					15	3	3-282832-3
					10	2	3-282832-2
	GOLD				15	3	2-282832-7
					125	25	2-282832-6
					120	24	2-282832-5
					115	23	2-282832-4
					110	22	2-282832-3
					105	21	2-282832-2
					100	20	2-282832-1
					95	19	2-282832-0
					90	18	1-282832-9
					85	17	1-282832-8
					80	16	1-282832-7
					75	15	1-282832-6
					70	14	1-282832-5
					65	13	1-282832-4
	TIN	16.5	3.5	11	40	8	1-282832-3
					60	12	1-282832-2
					55	11	1-282832-1
					50	10	1-282832-0
					45	9	282832-9
					40	8	282832-8
					35	7	282832-7
					30	6	282832-6
					25	5	282832-5
					20	4	282832-4
					15	3	282832-3
					10	2	282832-2
	TERMINAL PLATING	D	C	B	A	NO OF POSN	PART NUMBER

- 1. MATERIALS AND FINISH:  
 HOUSING: PA 4T, UL 94-V0, COLOR GREEN  
 TERMINAL: BRASS, PLATING: SEE TABLE.
- 2. SUITABLE FOR 1,6-2,4mm PC BOARD THICKNESS.
- 3. END-TO-END STACKABLE WITHOUT LOSS OF CENTERLINE SPACING.
- 4. RECOGNIZED UNDER THE COMPONENT PROGRAM OF UNDERWRITERS LABORATORIES INC. FILE N° E60677.
- 5. IMQ CERTIFICATE WITH SURVEILLANCE IN CONFORMITY WITH IEC 998-1/998-2-1.
- 6. NOT CUMULATIVE TOLERANCE.

THIS DRAWING IS A CONTROLLED DOCUMENT.

DIMENSIONS: mm	TOLERANCES UNLESS OTHERWISE SPECIFIED:	DWN E. ZANOLINI 14AUG2001	TE Connectivity NAME: TERMINAL BLOCK PIN HEADER UNSHROUDED 5.0 mm PITCH
		CHK D. BIEVENOUR 14AUG2001	
		APVD D. BIEVENOUR 14AUG2001	
		PRODUCT SPEC 108-20166	
MATERIAL		APPLICATION SPEC 114-20079	SIZE: A2 CAGE CODE: 00779 DRAWING NO: C-282832
		WEIGHT: -	RESTRICTED TO: -

Customer Drawing SCALE 4:1 SHEET 1 OF 1 REV H5