



Chipsmall Limited consists of a professional team with an average of over 10 year of expertise in the distribution of electronic components. Based in Hongkong, we have already established firm and mutual-benefit business relationships with customers from,Europe,America and south Asia,supplying obsolete and hard-to-find components to meet their specific needs.

With the principle of “Quality Parts,Customers Priority,Honest Operation,and Considerate Service”,our business mainly focus on the distribution of electronic components. Line cards we deal with include Microchip,ALPS,ROHM,Xilinx,Pulse,ON,Everlight and Freescale. Main products comprise IC,Modules,Potentiometer,IC Socket,Relay,Connector.Our parts cover such applications as commercial,industrial, and automotives areas.

We are looking forward to setting up business relationship with you and hope to provide you with the best service and solution. Let us make a better world for our industry!



Contact us

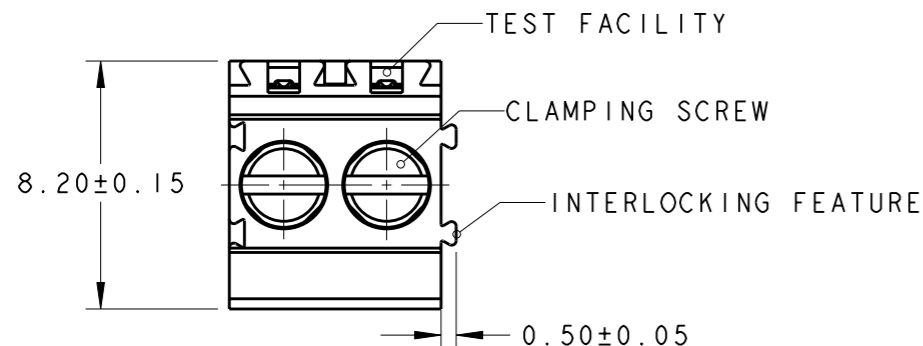
Tel: +86-755-8981 8866 Fax: +86-755-8427 6832

Email & Skype: info@chipsmall.com Web: www.chipsmall.com

Address: A1208, Overseas Decoration Building, #122 Zhenhua RD., Futian, Shenzhen, China

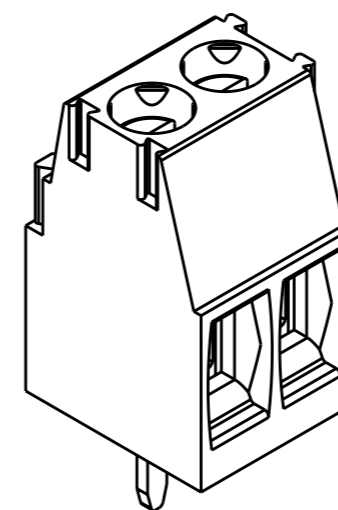
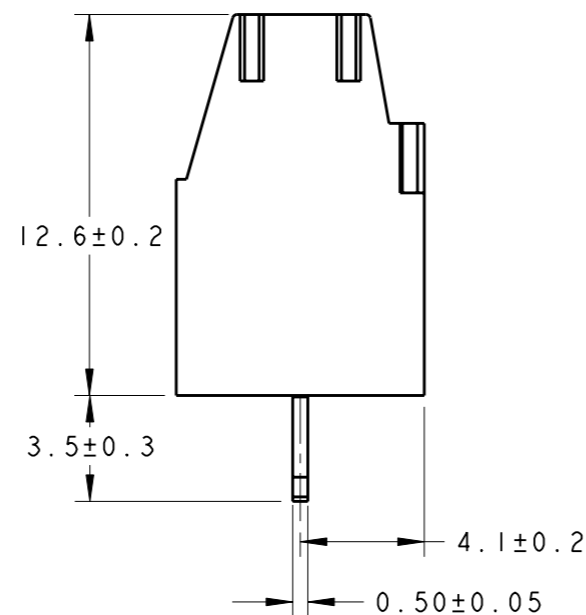
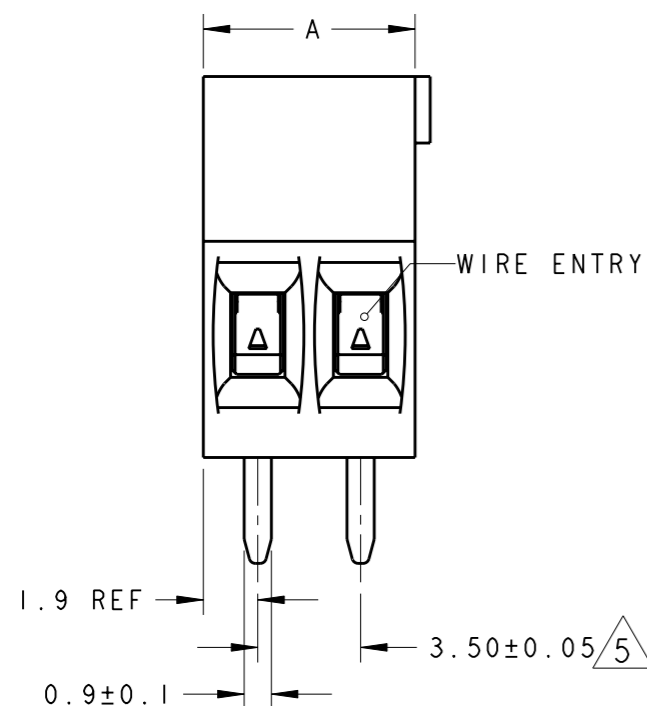


LOC	DIST	REVISIONS			
P	LTR	DESCRIPTION	DATE	DWN	APVD
FT	0	B4	REVISED PER ECO-11-005027	15MAR2011	RK HMR

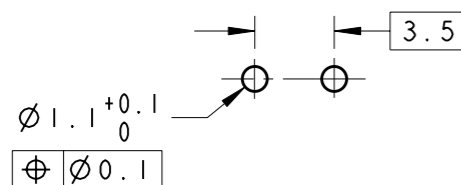



- 1 MATERIALS AND FINISH
HOUSING : PA 6.6, UL 94-V0, COLOR GREEN.
CLAMP : BRASS, NICKEL PLATED
TERMINAL : BRASS, TIN PLATED
CLAMPING SCREW : M3, BRASS, NICKEL PLATED
- 2. SUITABLE FOR 1.6-2.4 mm. PC BOARD THICKNESS.
- 3. END-TO-END STACKABLE W/INTERLOCK WITHOUT LOSS OF CENTERLINE SPACING
- 4. WIRE SIZE RANGE: 14 - 30 AWG
- 5 NOT CUMULATIVE TOLERANCE
- 6 CAGE CLAMPS TO BE IN THE CLOSED POSITION.

DIM "A"	NO OF POS.	PART NUMBER
14.0	4	2-284391-8
10.5	3	2-284391-7
7.0	2	2-284391-6
87.5	25	2-284391-5
84.0	24	2-284391-4
80.5	23	2-284391-3
77.0	22	2-284391-2
73.5	21	2-284391-1
70.0	20	2-284391-0
66.5	19	1-284391-9
63.0	18	1-284391-8
59.5	17	1-284391-7
56.0	16	1-284391-6
52.5	15	1-284391-5
49.0	14	1-284391-4
45.5	13	1-284391-3
42.0	12	1-284391-2
38.5	11	1-284391-1
35.0	10	1-284391-0
31.5	9	284391-9
28.0	8	284391-8
24.5	7	284391-7
21.0	6	284391-6
17.5	5	284391-5
14.0	4	284391-4
10.5	3	284391-3
7.0	2	284391-2



RECOMMENDED PC BOARD LAYOUT



THIS DRAWING IS A CONTROLLED DOCUMENT.		DWN E. ZANOLINI 01FEB2002	 TE Connectivity	
DIMENSIONS: mm		CHK E. ZANOLINI 01FEB2002		
TOLERANCES UNLESS OTHERWISE SPECIFIED:		APVD D. BIEVENOUR 01FEB2002	NAME TERMINAL BLOCK PCB, MOUNT STRAIGHT SIDE WIRE ENTRY, STACKING W/ INTERLOCK, 3.5mm PITCH	
0 PLC ±. 1 PLC ±.3 2 PLC ±.25 3 PLC ±. 4 PLC ±. ANGLES ±2		PRODUCT SPEC 108-20166	SIZE A3	
MATERIAL		APPLICATION SPEC 114-20079	CAGE CODE 00779	DRAWING NO C-284391
FINISH		WEIGHT -	RESTRICTED TO -	
CUSTOMER DRAWING		SCALE 3:1		SHEET 1 OF 1
				REV B4