



Chipsmall Limited consists of a professional team with an average of over 10 year of expertise in the distribution of electronic components. Based in Hongkong, we have already established firm and mutual-benefit business relationships with customers from,Europe,America and south Asia,supplying obsolete and hard-to-find components to meet their specific needs.

With the principle of “Quality Parts,Customers Priority,Honest Operation,and Considerate Service”,our business mainly focus on the distribution of electronic components. Line cards we deal with include Microchip,ALPS,ROHM,Xilinx,Pulse,ON,Everlight and Freescale. Main products comprise IC,Modules,Potentiometer,IC Socket,Relay,Connector.Our parts cover such applications as commercial,industrial, and automotives areas.

We are looking forward to setting up business relationship with you and hope to provide you with the best service and solution. Let us make a better world for our industry!



Contact us

Tel: +86-755-8981 8866 Fax: +86-755-8427 6832

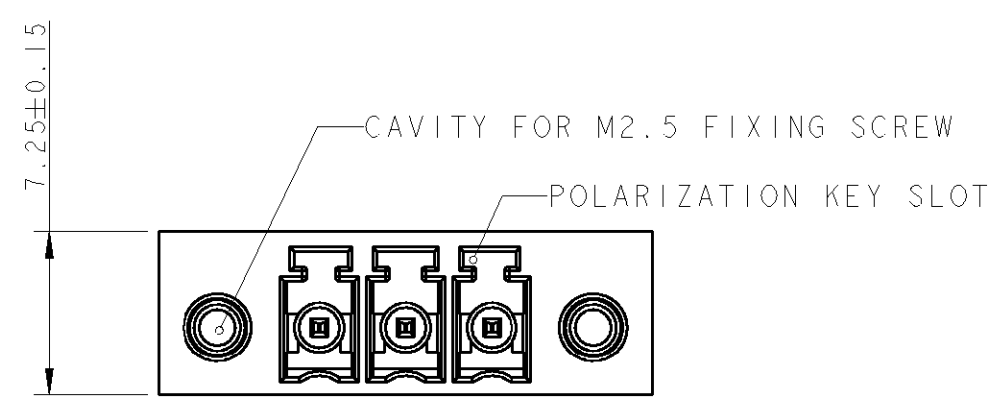
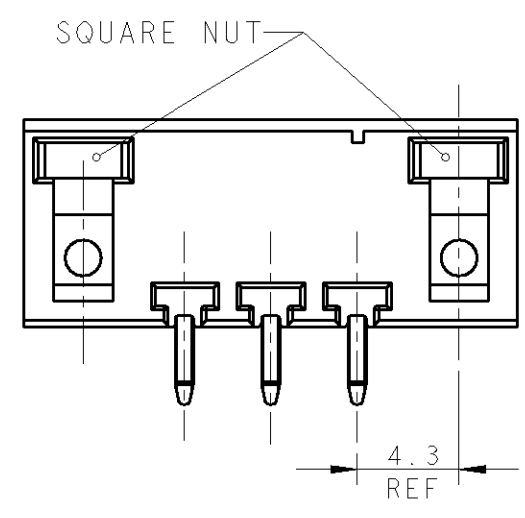
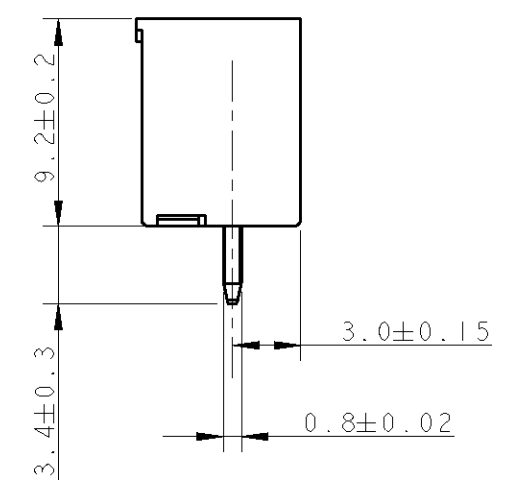
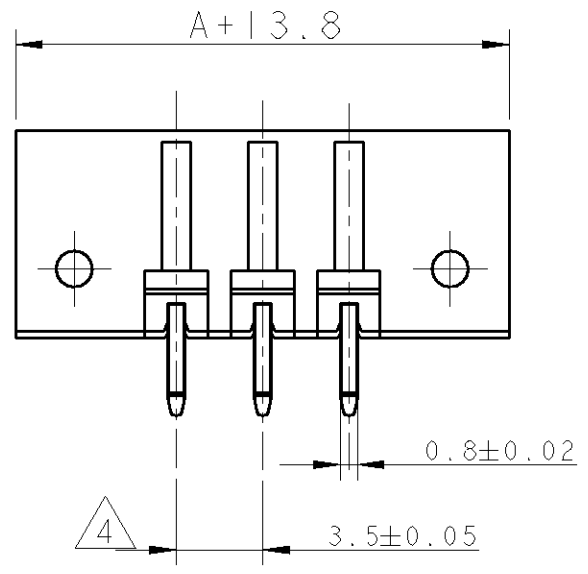
Email & Skype: info@chipsmall.com Web: www.chipsmall.com

Address: A1208, Overseas Decoration Building, #122 Zhenhua RD., Futian, Shenzhen, China

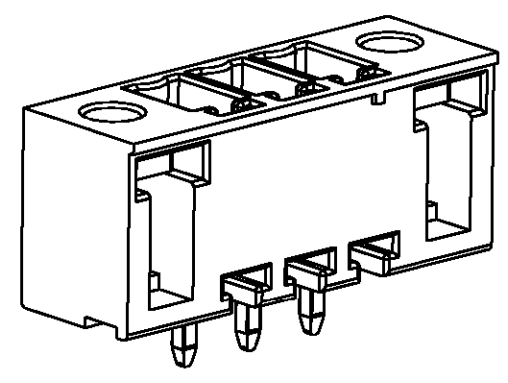


THIS DRAWING IS UNPUBLISHED. RELEASED FOR PUBLICATION 20
 © COPYRIGHT - BY - ALL RIGHTS RESERVED.

LOC	DIST	REVISIONS			
P	LTR	DESCRIPTION	DATE	DWN	APVD
FT	0	B1	REVISED PER ECO-11-005294	30APR11	RK HMR



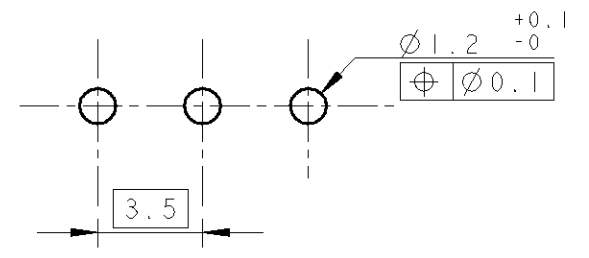
- 1 MATERIALS AND FINISH
HOUSING : PA 6.6, UL 94-V0, COLOR GREEN
TERMINAL : PHOSPHOR BRONZE, TIN PLATED
- 2 CONNECTOR ASSEMBLY INCLUDED 2 SQUARE NUTS LOADED IN CAVITY
- 3 SUITABLE FOR 1.6-2.4 mm. PC BOARD THICKNESS
- 4 NOT CUMULATIVE TOLERANCE



284516-3 AS SHOWN

DIM A	NO OF POS	PART NUMBER
77.0	23	2-284516-3
73.5	22	2-284516-2
70.0	21	2-284516-1
66.5	20	2-284516-0
63.0	19	1-284516-9
59.5	18	1-284516-8
56.0	17	1-284516-7
52.5	16	1-284516-6
49.0	15	1-284516-5
45.5	14	1-284516-4
42.0	13	1-284516-3
38.5	12	1-284516-2
35.0	11	1-284516-1
31.5	10	1-284516-0
28.0	9	284516-9
24.5	8	284516-8
21.0	7	284516-7
17.5	6	284516-6
14.0	5	284516-5
10.5	4	284516-4
7.0	3	284516-3
3.5	2	284516-2

RECOMMENDED PC BOARD LAYOUT



DIMENSIONS: mm		TOLERANCES UNLESS OTHERWISE SPECIFIED: 0 PLC ±- 1 PLC ±.3 2 PLC ±.25 3 PLC ±- 4 PLC ±- ANGLES ±2		DWN 06FEB2002 EZ CHK 06FEB2002 E. ZANOLINI APVD 06FEB2002 D. BIEVENOUR		TE Connectivity	
MATERIAL 1		FINISH 1		PRODUCT SPEC 108-20166 APPLICATION SPEC 114-20079 WEIGHT -		NAME TERMINAL BLOCK, HEADER ASSEMBLY STRAIGHT, 3.5mm PITCH WITH THREADED FLANGE	
CUSTOMER DRAWING		SCALE 3:1		SIZE A3 CAGE CODE 00779 DRAWING NO C-284516 RESTRICTED TO -		SHEET 1 OF 1 REV B1	