



Chipsmall Limited consists of a professional team with an average of over 10 year of expertise in the distribution of electronic components. Based in Hongkong, we have already established firm and mutual-benefit business relationships with customers from,Europe,America and south Asia,supplying obsolete and hard-to-find components to meet their specific needs.

With the principle of “Quality Parts,Customers Priority,Honest Operation,and Considerate Service”,our business mainly focus on the distribution of electronic components. Line cards we deal with include Microchip,ALPS,ROHM,Xilinx,Pulse,ON,Everlight and Freescale. Main products comprise IC,Modules,Potentiometer,IC Socket,Relay,Connector.Our parts cover such applications as commercial,industrial, and automotives areas.

We are looking forward to setting up business relationship with you and hope to provide you with the best service and solution. Let us make a better world for our industry!



Contact us

Tel: +86-755-8981 8866 Fax: +86-755-8427 6832

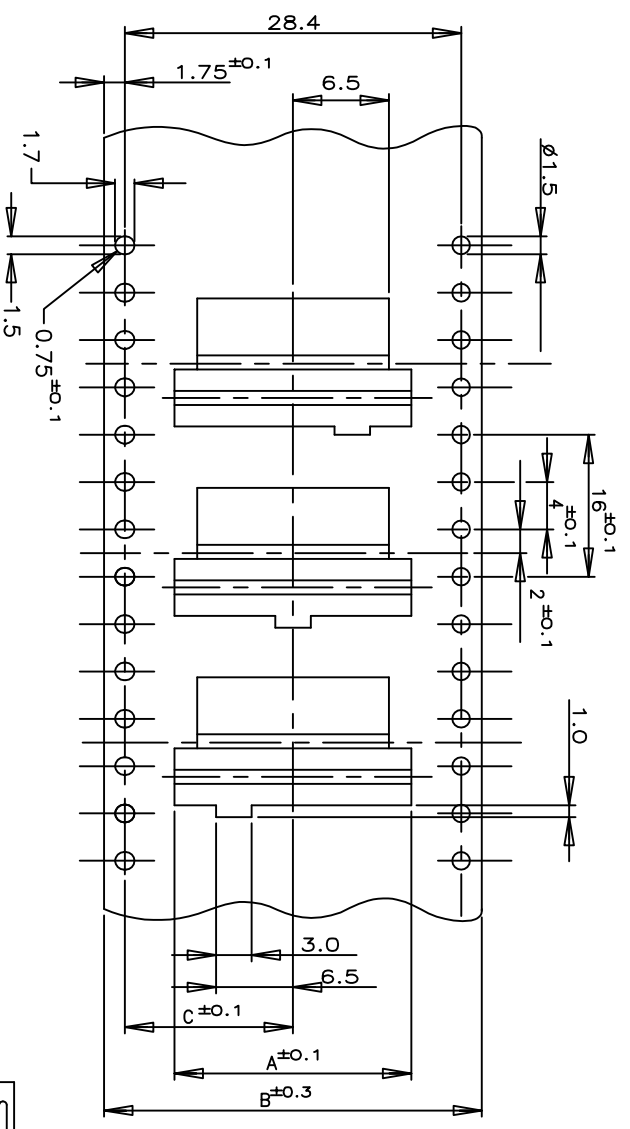
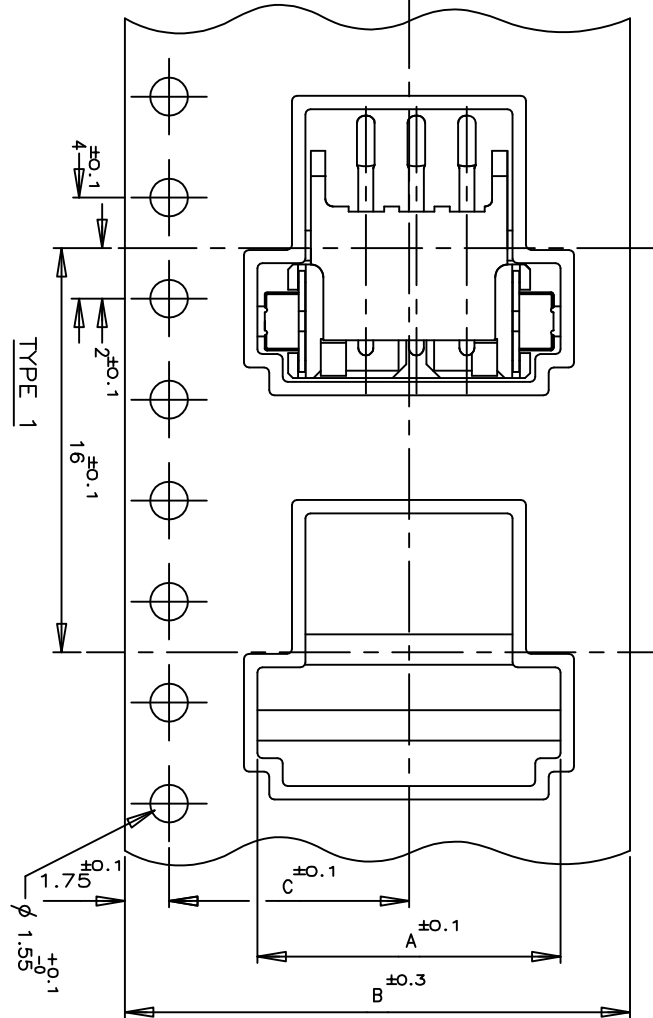
Email & Skype: info@chipsmall.com Web: www.chipsmall.com

Address: A1208, Overseas Decoration Building, #122 Zhenhua RD., Futian, Shenzhen, China

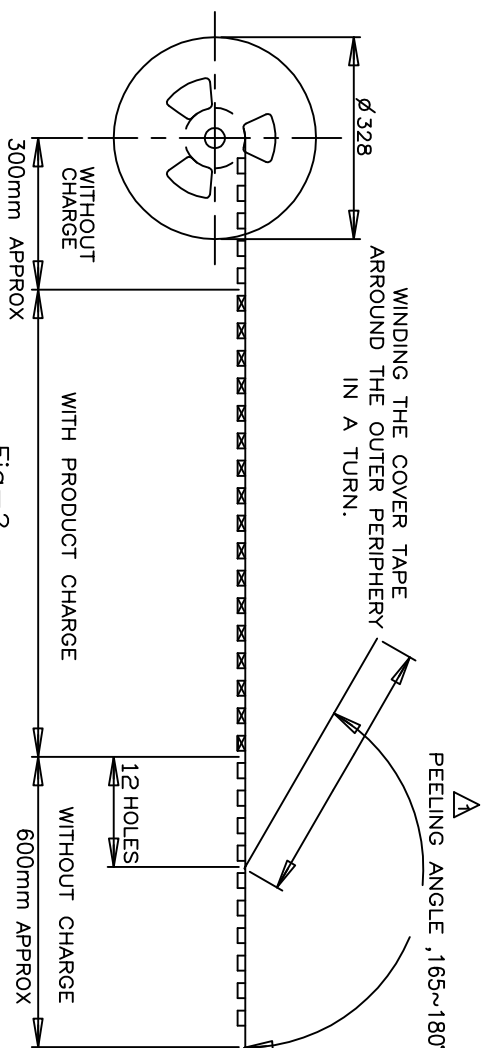
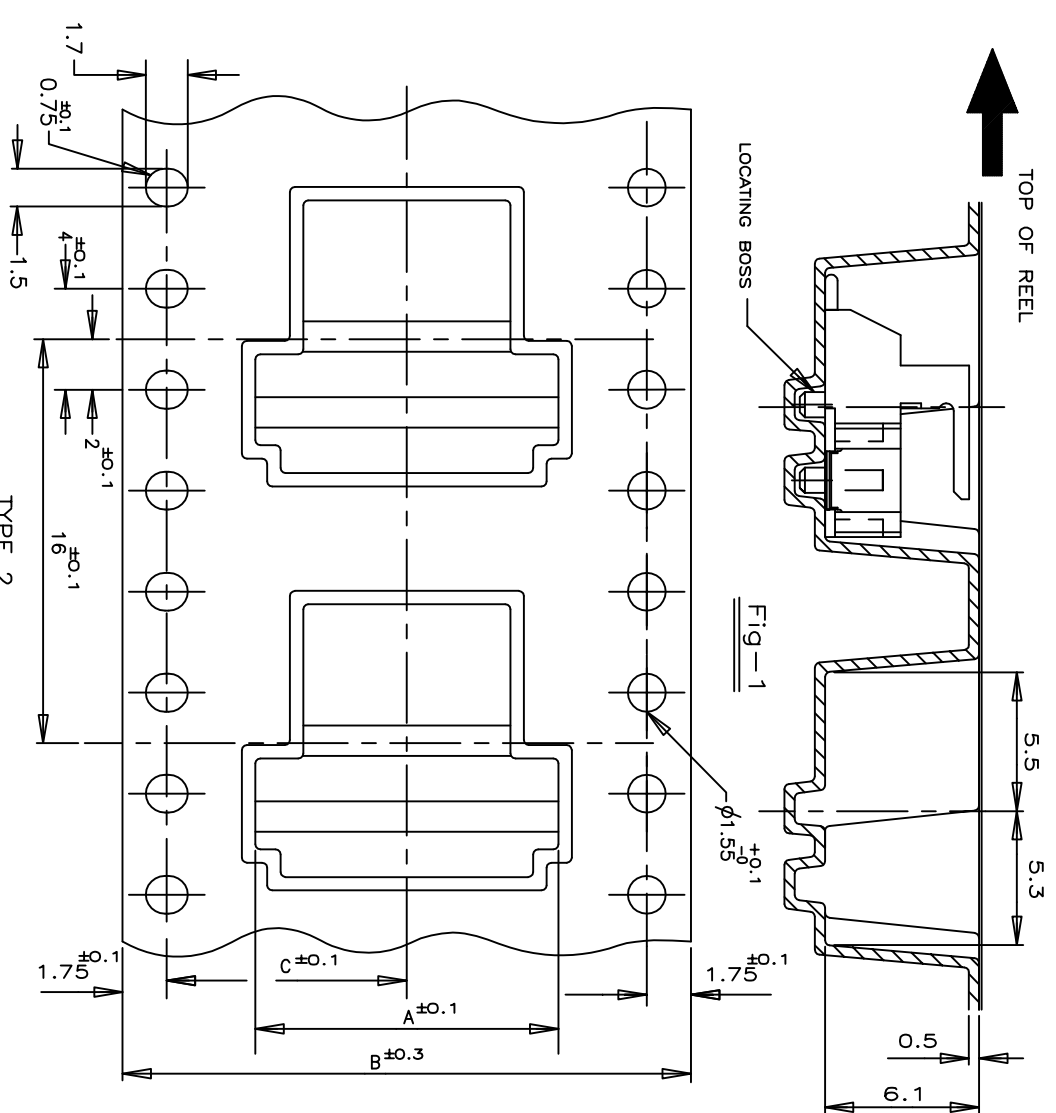
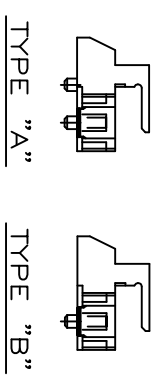


© COPYRIGHT - By -

| | | | | | | |
|-----|------|-----------|-----------------------|---------|-----|------|
| Loc | DIST | REVISIONS | | DATE | DWN | APVD |
| ES | 00 | P | DESCRIPTION | 24OCT11 | C.Z | S.Y |
| | | LTR | | | | |
| | | C3 | REVISED ECR-11-021545 | | | |



TYPE 3 FOR 7P ONLY
THREE KINDS OF DIFFERENT POCKETS AS 1 SET
USED FOR 7P ONLY



| COLOR | BLACK | | NATURAL | | WITH | TAPING P/N | | |
|-------|--------|------|---------|------|------|------------|---|------------|
| | TYPE | BOSS | TYPE | BOSS | | | | |
| A | TYPE 1 | A | 11.5 | 24 | 10 | 500 | 2 | 0-292173-2 |
| | TYPE 2 | B | 20.2 | 44 | 24 | 500 | 9 | 1-292173-9 |
| | TYPE 3 | B | 14.2 | 32 | 20 | 500 | 8 | 1-292173-8 |
| B | TYPE 1 | A | 11.5 | 24 | 10 | 500 | 2 | 0-292173-2 |
| | TYPE 2 | B | 20.2 | 44 | 24 | 500 | 9 | 1-292173-9 |
| | TYPE 3 | B | 14.2 | 32 | 20 | 500 | 8 | 1-292173-8 |
| C | TYPE 1 | A | 11.5 | 24 | 10 | 500 | 2 | 0-292173-2 |
| | TYPE 2 | B | 20.2 | 44 | 24 | 500 | 9 | 1-292173-9 |
| | TYPE 3 | B | 14.2 | 32 | 20 | 500 | 8 | 1-292173-8 |



TE Connectivity

ON TAPING (EMBOSS)

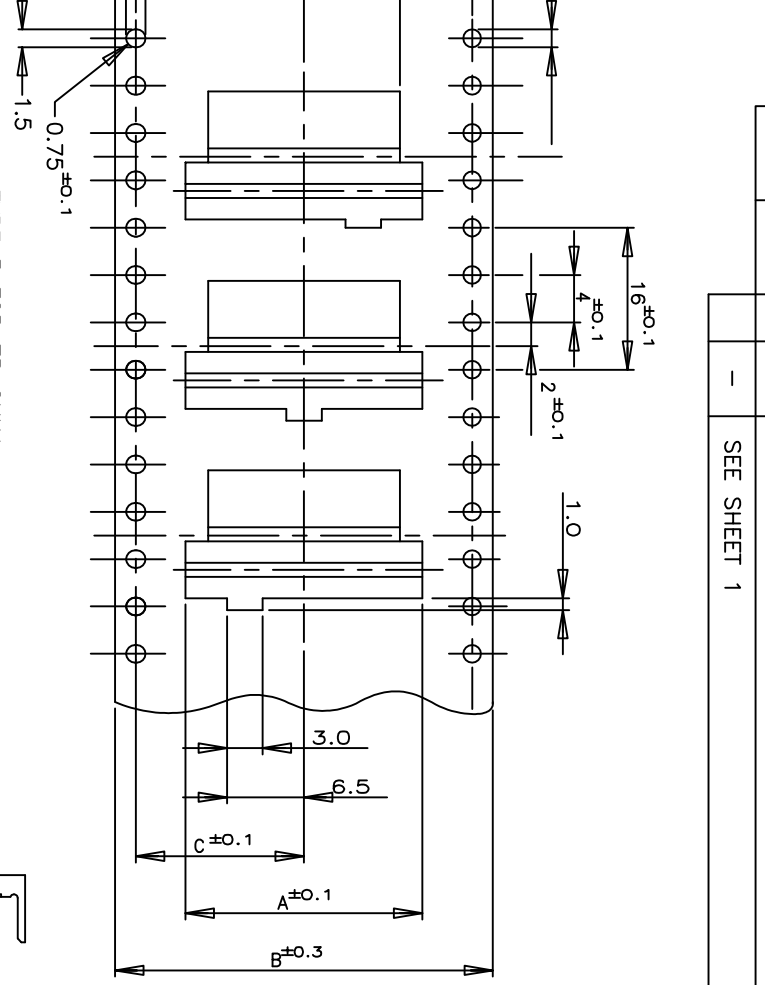
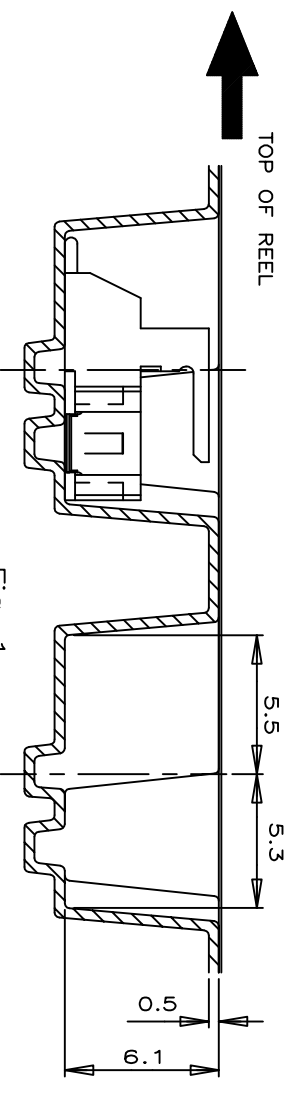
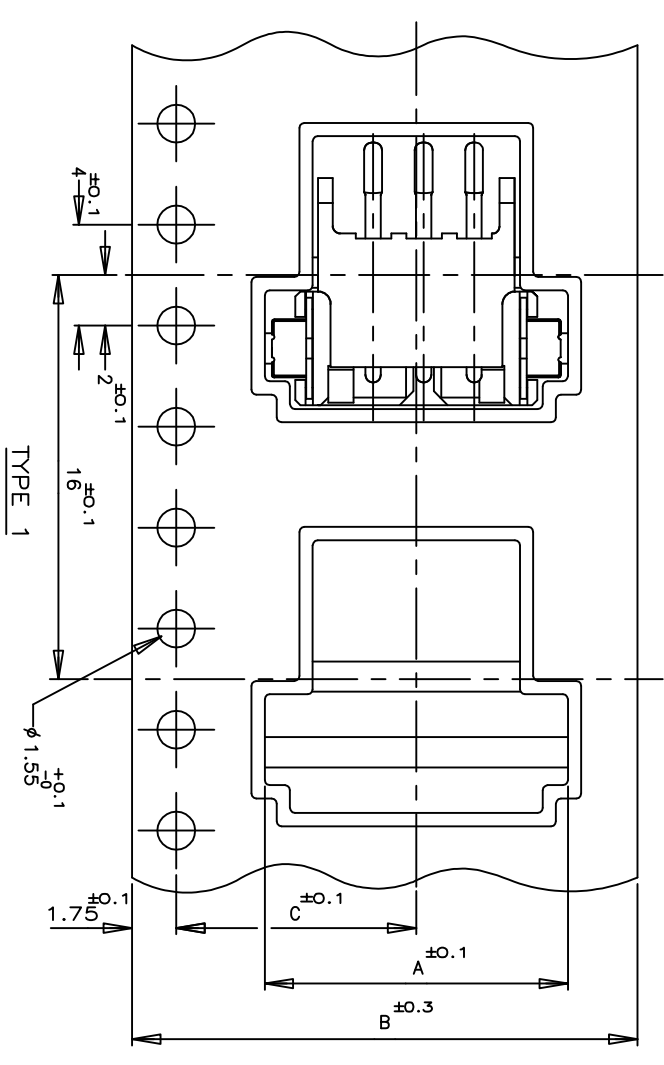
TE CT CONNECTOR POST HEADER ASS'Y
(BOX-H SMT TYPE W/BOSS & TAIL)

| | | | |
|--|---|------------------|------------|
| THIS DRAWING IS A CONTROLLED DOCUMENT. | | DWN | 21SEP10 |
| DIMENSIONS: MM | | CHK | JACK HOU |
| TOLERANCES UNLESS OTHERWISE SPECIFIED: | | APVD | MARTIN LI |
| 0 PLC | ± | 21SEP10 | |
| 1 PLC | ± | | |
| 2 PLC | ± | | |
| 3 PLC | ± | | |
| 4 PLC | ± | | |
| ANGLES | ± | | |
| FINISH | | NAME | STEVEN YAO |
| APPLICATION SPEC | | PRODUCT SPEC | |
| WEIGHT | | APPLICATION SPEC | |
| CUSTOMER DRAWING | | SIZE | A3 |
| | | CAGE CODE | 00779 |
| | | DRAWING NO | 292173 |
| | | SCALE | 1:1 |
| | | SHEET | 1 OF 6 |
| | | REV | C3 |

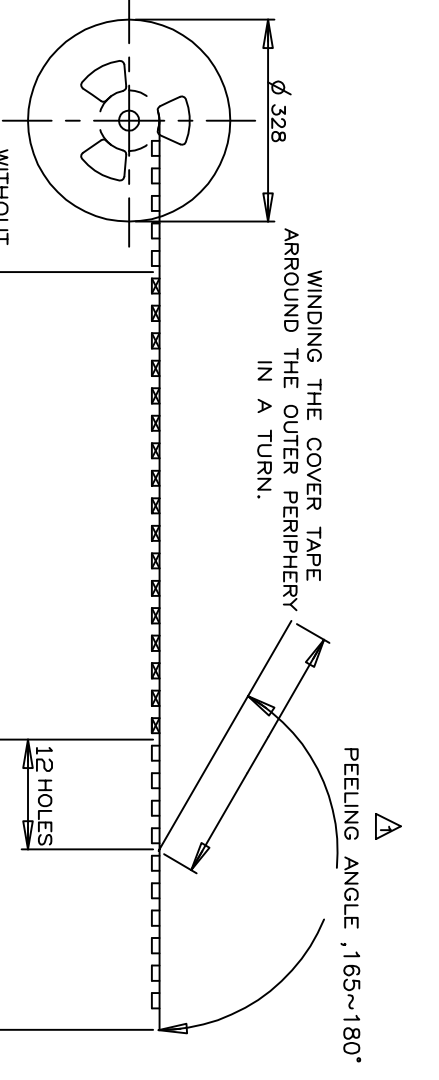
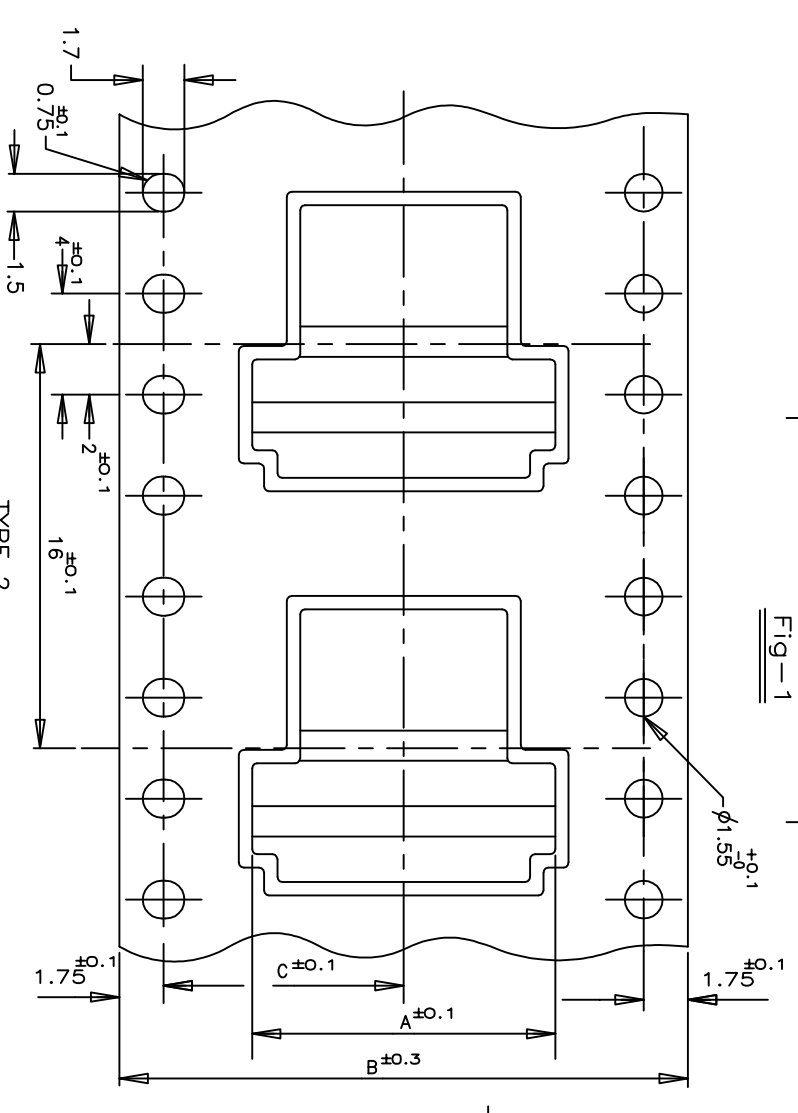
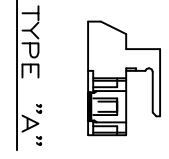
| | |
|---------------------------------------|-------|
| TOLERANCE UNLESS OTHERWISE SPECIFIED: | ±0.2 |
| 10>± | ±0.25 |
| 30>± | ±0.3 |
| 100>± | ±0.3 |
| ANGLE | ±3° |

NOTES:
▲ PEELING RESISTANCE : 0.196N-0.686N (20gf-70gf)
SPEED : 300mm/min

(AS SHOWN : 3P)



TYPE 3 FOR 7P ONLY
THREE KINDS OF DIFFERENT POCKETS AS 1 SET
USED FOR 7P ONLY



| COLOR | BLACK | | NATURAL | |
|--------|-------|---------|---------|---------|
| | WITH | WITHOUT | WITH | WITHOUT |
| TYPE 2 | A | 20.2 | 44 | 24 |
| | A | 20.2 | 44 | 22 |
| TYPE 3 | A | 14.2 | 32 | 20 |
| | A | 14.2 | 32 | 18 |
| TYPE 2 | A | 11.5 | 24 | 10 |
| | A | 20.2 | 44 | 24 |
| TYPE 2 | A | 20.2 | 44 | 22 |
| | A | 14.2 | 32 | 20 |
| TYPE 3 | A | 14.2 | 32 | 18 |
| | A | 11.5 | 24 | 16 |
| TYPE 1 | A | 11.5 | 24 | 10 |
| | A | 14.2 | 32 | 18 |
| TYPE 2 | A | 11.5 | 24 | 16 |
| | A | 14.2 | 32 | 18 |
| TYPE 3 | A | 11.5 | 24 | 16 |
| | A | 14.2 | 32 | 20 |
| TYPE 1 | A | 11.5 | 24 | 10 |
| | A | 14.2 | 32 | 18 |
| TYPE 2 | A | 11.5 | 24 | 16 |
| | A | 14.2 | 32 | 18 |
| TYPE 3 | A | 11.5 | 24 | 16 |
| | A | 14.2 | 32 | 20 |

NOTES:
△ PEELING RESISTANCE : 0.196N-0.686N (20gf-70gf)
SPEED : 300mm/min

TOLERANCE UNLESS OTHERWISE SPECIFIED:
10>* : ±0.2
30>* : ±0.25
100>* : ±0.3
ANGLE : ±3°

1470-19 (3/11)

STE TE Connectivity

ON TAPING (EMBOSS)

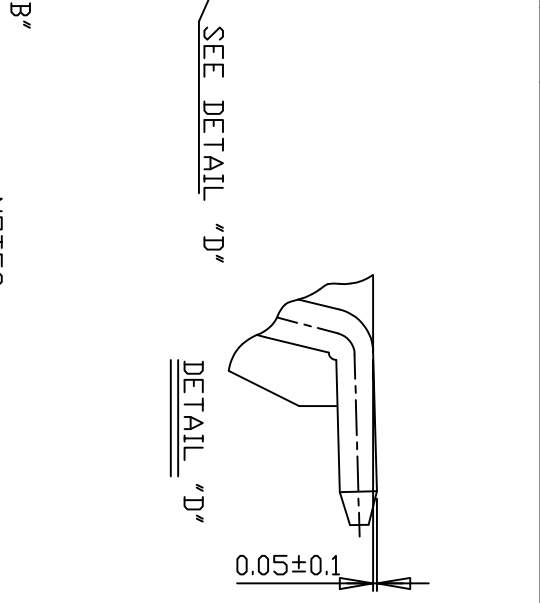
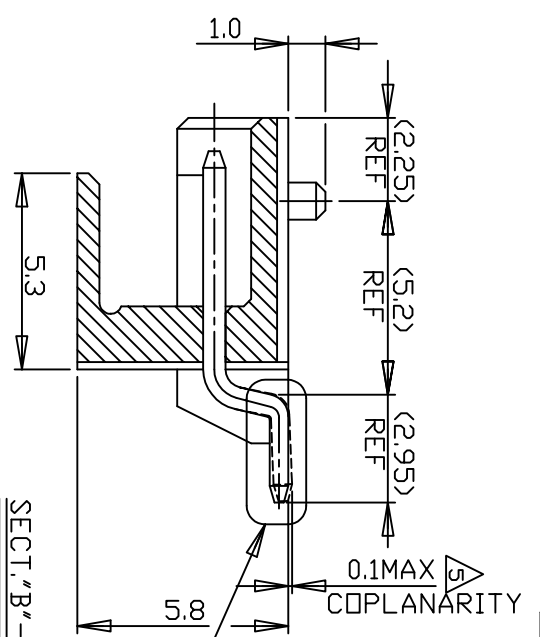
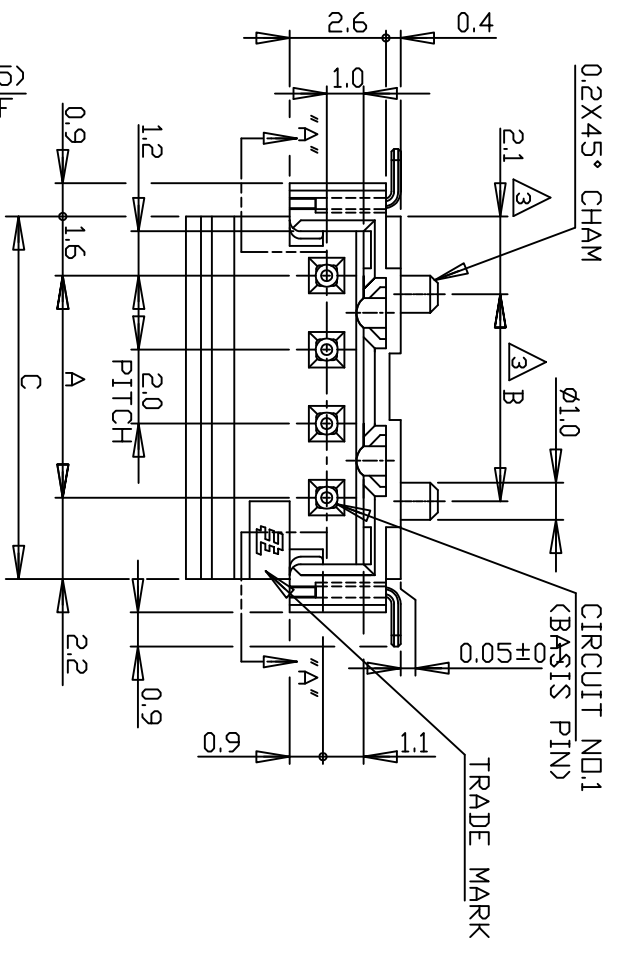
TE CT CONNECTOR POST HEADER ASS'Y
(BOX-H SMT TYPE W/O BOSS & W/ TAIL)

| | | | | | |
|------|--|--------------|------------------|------------|------------------|
| APVD | NAME | SIZE | CAGE CODE | DRAWING NO | RESTRICTED TO |
| | TE CT CONNECTOR POST HEADER ASS'Y (BOX-H SMT TYPE W/O BOSS & W/ TAIL) | A3 | 00779 | 292173 | |
| CHK | APVD | PRODUCT SPEC | APPLICATION SPEC | WEIGHT | CUSTOMER DRAWING |
| DWN | APVD | PRODUCT SPEC | APPLICATION SPEC | WEIGHT | CUSTOMER DRAWING |

SCALE 1:1 SHEET 2 OF 6 REV C3

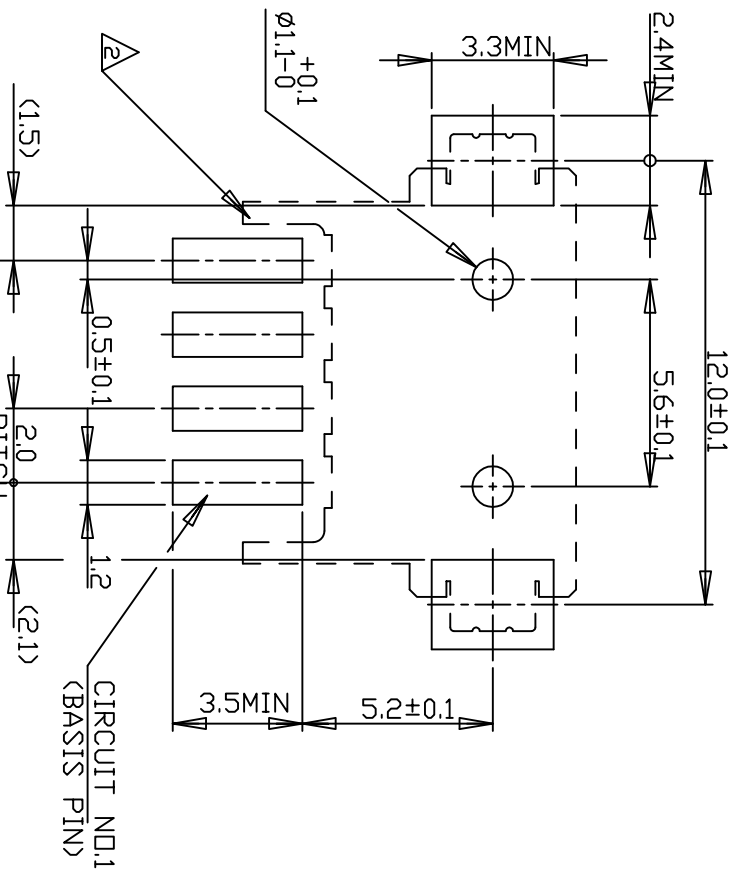
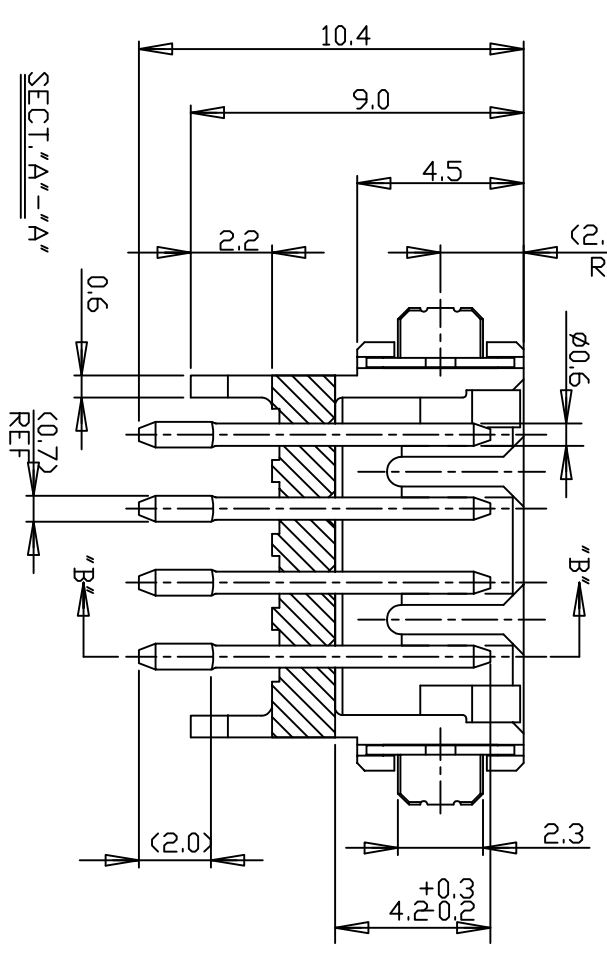
| | | | | | |
|-----|------|-------------|------|-----|------|
| Loc | DIST | REV | DATE | DWN | APVD |
| ES | 00 | | | | |
| P | LTR | DESCRIPTION | DATE | DWN | APVD |
| - | - | SEE SHEET 1 | | | |

(AS SHOWN : -4)

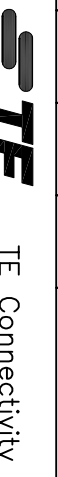


- NOTES:
- MATERIAL: HSG-6T PKG.F.30%XUL94V-0)
COLOR: BLACK, NATURAL
POST: TIN BRASS
TAIL: TIN BRASS
OCCUPANT AREA ON PC BOARD
4P&ABOVE POS.
2P&3P

TO BE MEASURED WITH CONNECTOR PLACED ON HORIZONTAL DATUM SURFACE, FLAT OF SOLDER TINE AND TAIL FROM DATUM SURFACE IS 0.1mm MAX



| | | | | | | | |
|------|------|------|------|------|------------|----------|-----|
| A | B | C | D | POS. | NATURAL | BLACK | P/N |
| 16.0 | 15.6 | 19.8 | 22.0 | 9 | 1-292173-9 | 292173-9 | |
| 14.0 | 13.6 | 17.8 | 20.0 | 8 | 1-8 | 1-8 | |
| 12.0 | 11.6 | 15.8 | 18.0 | 7 | 1-7 | 1-7 | |
| 10.0 | 9.6 | 13.8 | 16.0 | 6 | 1-6 | 1-6 | |
| 8.0 | 7.6 | 11.8 | 14.0 | 5 | 1-5 | 1-5 | |
| 6.0 | 5.6 | 9.8 | 11.8 | 4 | 1-4 | 1-4 | |
| 4.0 | 4.0 | 7.8 | 9.8 | 3 | 1-3 | 1-3 | |
| 2.0 | 2.0 | 5.8 | 7.8 | 2 | 1-292173-2 | 292173-2 | |



TE Connectivity

SMT TYPE POST HDR ASS'Y (H)
WITH BOSS & TAIL TYPE
(TE CT CONN. 2mm PITCH)

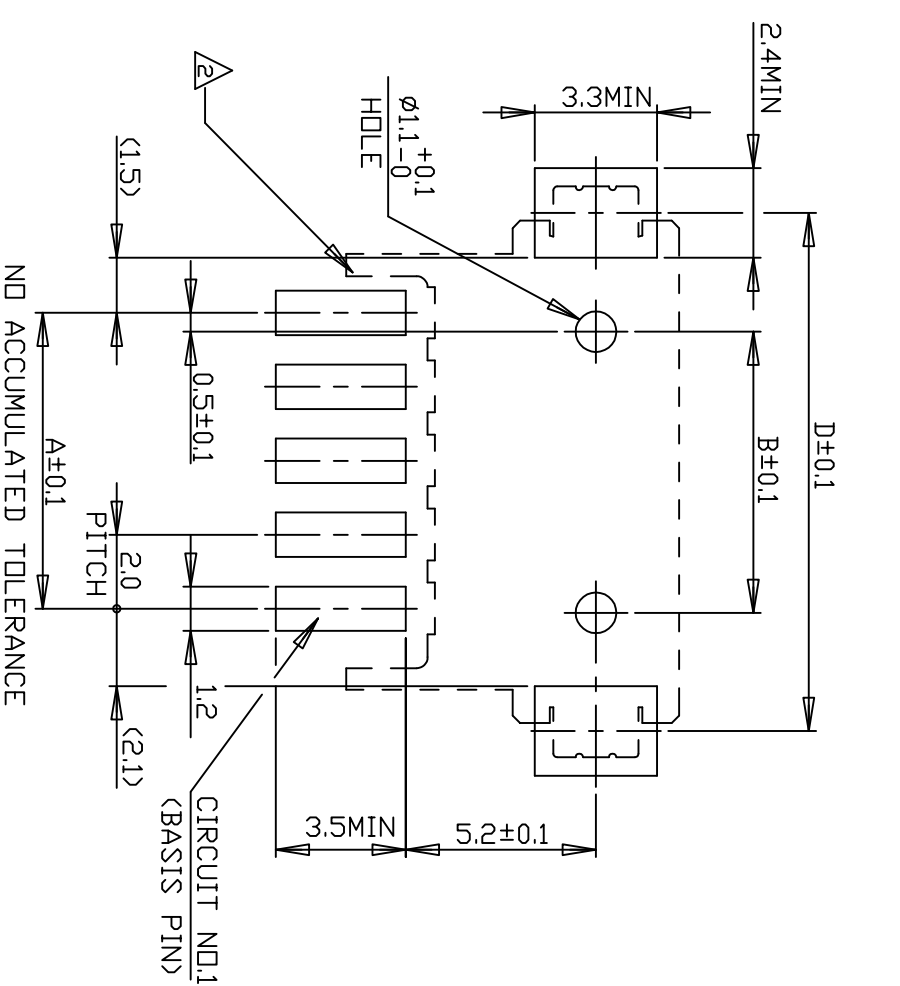
| | |
|------------------|--|
| DIMENSIONS: | TOLERANCES UNLESS OTHERWISE SPECIFIED: |
| MM | 0 PLC ± |
| | 1 PLC ± |
| | 2 PLC ± |
| | 3 PLC ± |
| | 4 PLC ± |
| | ANGLES ± |
| MATERIAL | SEE NOTE |
| FINISH | SEE NOTE |
| PRODUCT SPEC | 108-60016 |
| APPLICATION SPEC | |
| WEIGHT | |
| CUSTOMER DRAWING | |

| | |
|--|--|
| TOLERANCES UNLESS OTHERWISE SPECIFIED: | |
| 10>* ±0.2 | |
| 30>* ±0.25 | |
| 100>* ±0.3 | |
| ANGEL ±3° | |

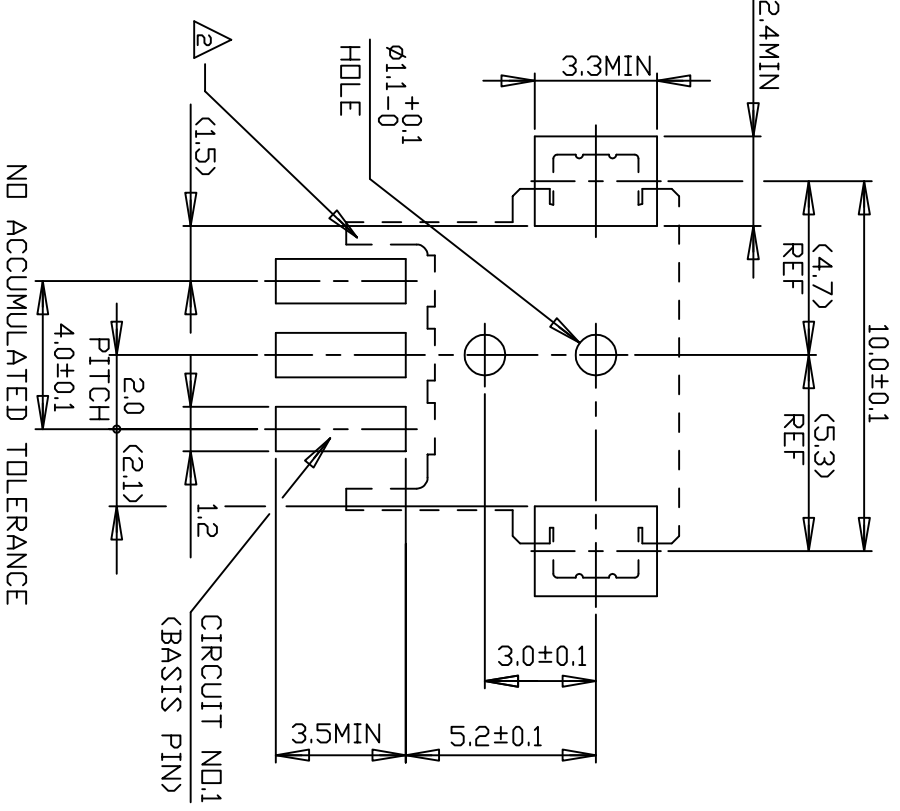
| P | LTR | DESCRIPTION | DATE | DWN | APVD |
|---|-----|-------------|------|-----|------|
| - | - | SEE SHEET 1 | - | - | - |

| REVISIONS | | DATE | DWN | APVD |
|-----------|---|------|-----|------|
| - | - | - | - | - |

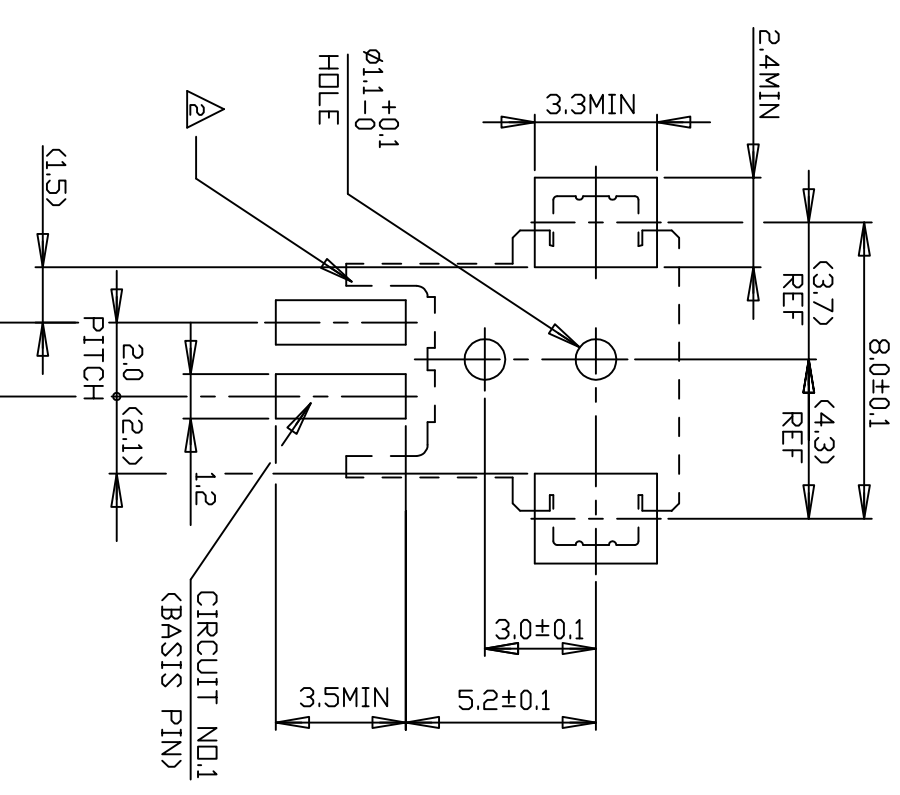
LAYOUT FOR 292173-X,1-292173-X



5 POS. & ABOVE POS.

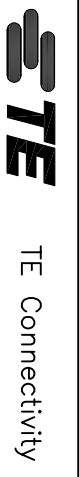


3 POS.



2 POS.

RECOMMENDED P.C. BOARD LAYOUT
 (P.C.B THK:0.8mm MIN)

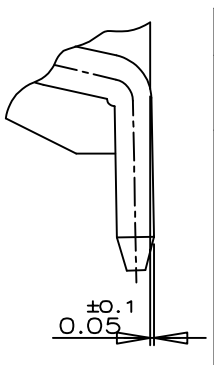
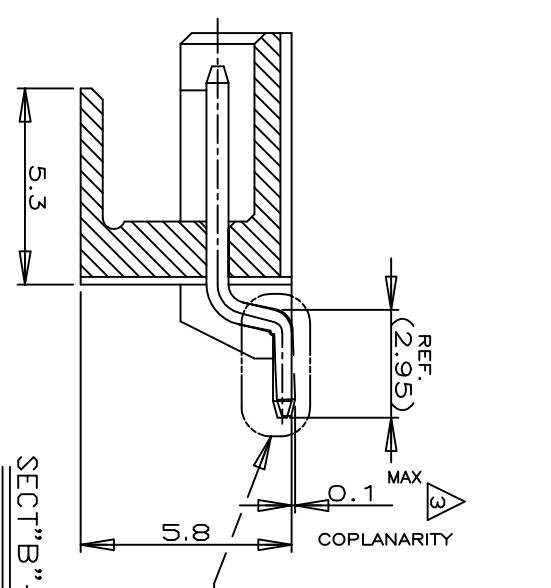
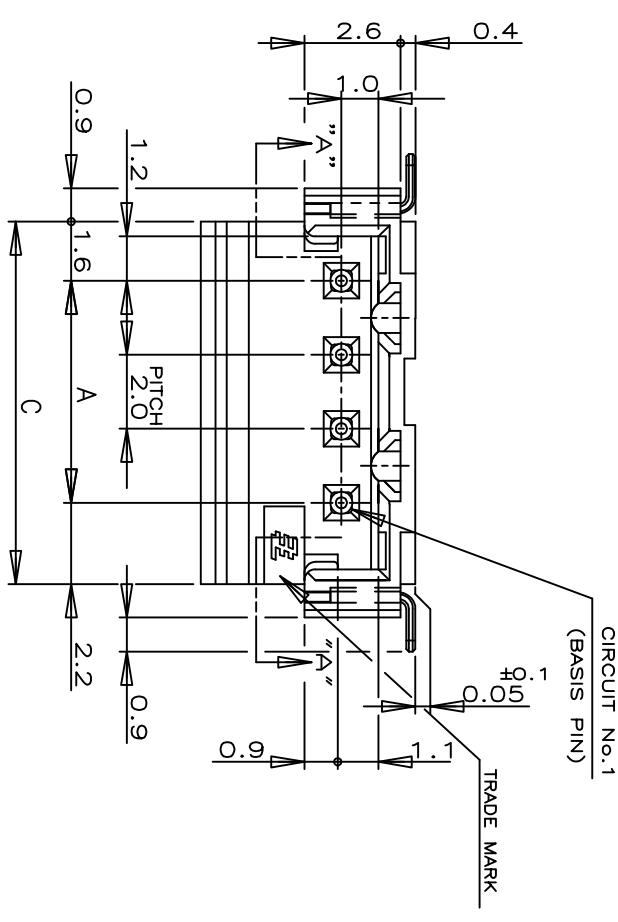


TE Connectivity

SMT TYPE POST HDR ASS'Y (H)
 WITH BOSS & TAIL TYPE
 (TE CT CONN. 2mm PITCH)

| | | | | | | | |
|--|--|------------------|---|--------|---|-----------|------------|
| THIS DRAWING IS A CONTROLLED DOCUMENT. | | DWN | - | NAME | SMT TYPE POST HDR ASS'Y (H) WITH BOSS & TAIL TYPE (TE CT CONN. 2mm PITCH) | | |
| DIMENSIONS: MM | | CHK | - | APVD | SIZE | CAGE CODE | DRAWING NO |
| TOLERANCES UNLESS OTHERWISE SPECIFIED: | | PRODUCT SPEC | - | APVD | A3 | 00779 | 292173 |
| 0 PLC ±- | | APPLICATION SPEC | - | WEIGHT | CUSTOMER DRAWING | | |
| 1 PLC ±- | | | | | | | |
| 2 PLC ±- | | | | | | | |
| 3 PLC ±- | | | | | | | |
| 4. PRC ±- | | | | | | | |
| ANGLES ±- | | | | | | | |
| FINISH ±- | | | | | | | |
| MATERIAL | | | | | | | |

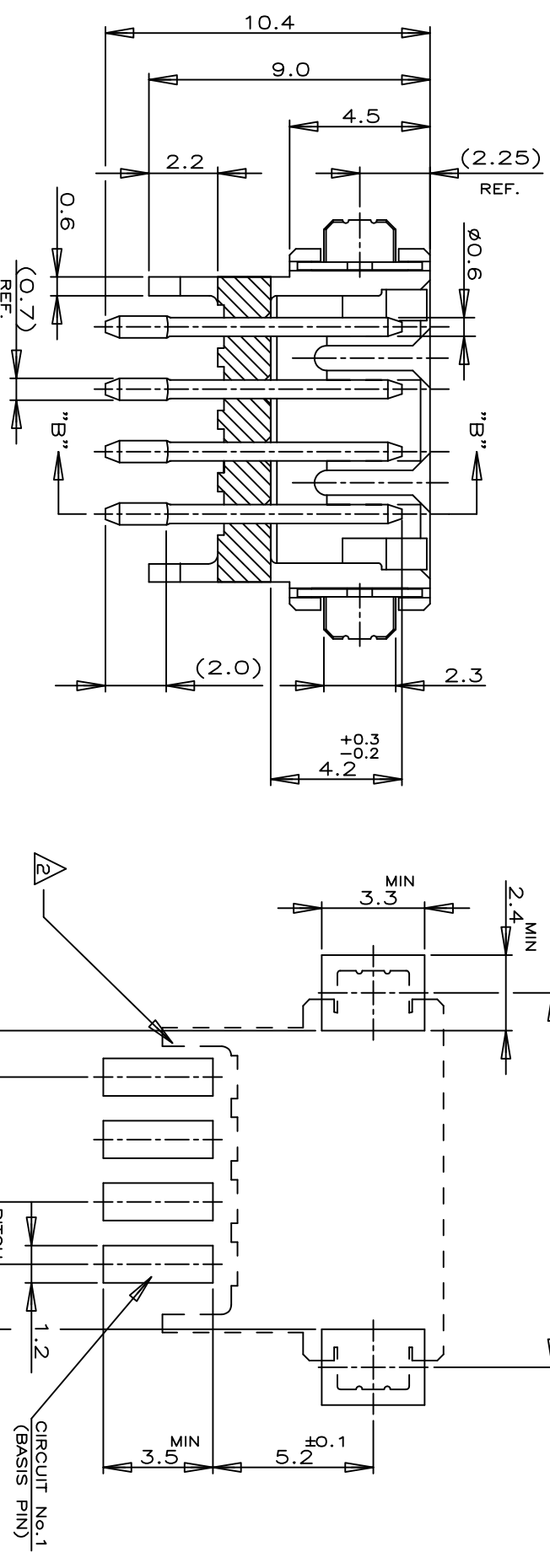
| Loc | DIST | REVISIONS | | DATE | DWN | APVD |
|-----|------|-----------|-----|-------------|-----|------|
| ES | 00 | P | LTR | DESCRIPTION | | |
| | | - | | SEE SHEET 1 | - | - |



(AS SHOWN :4P)

NOTES:

1. MATERIAL : HSG-6T PA(G.F.30%)(UL94V-0)
COLOR:BLACK,NATURAL
POST:TIN BRASS
TAIL: TIN BRASS
OCCUPANT AREA ON PC BOARD
TO BE MEASURED WITH CONNECTOR PLACED
ON HORIZONTAL DATUM SURFACE,FLOAT OF
SOLDER TINE AND TAIL FROM DATUM
SURFACE IS 0.1mm MAX



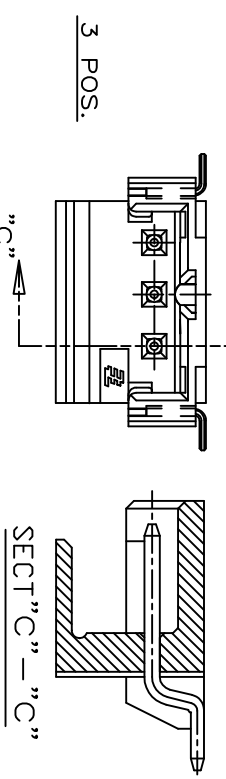
RECOMMENDED P.C. BOARD LAYOUT
(P.C.B THK:0.8mm MIN)
NO ACCUMULATED TOLERANCE

| | | | | | |
|------|------|------|------|------------|------------|
| 16.0 | 19.8 | 22.0 | 9 | 3-292173-9 | 2-292173-9 |
| 14.0 | 17.8 | 20.0 | 8 | 3- -8 | 2- -8 |
| 12.0 | 15.8 | 18.0 | 7 | 3- -7 | 2- -7 |
| 10.0 | 13.8 | 16.0 | 6 | 3- -6 | 2- -6 |
| 8.0 | 11.8 | 14.0 | 5 | 3- -5 | 2- -5 |
| 6.0 | 9.8 | - | 4 | 3- -4 | 2- -4 |
| 4.0 | 7.8 | - | 3 | 3- -3 | 2- -3 |
| 2.0 | 5.8 | - | 2 | 3-292173-2 | 2-292173-2 |
| A | C | D | Pos. | NATURAL | BLACK |

STE TE Connectivity

SMT TYPE POST HDR ASS'Y (BOX-H)
W/O BOSS, WITH TAIL TYPE
(TE CT CONN. 2mm PITCH)

| DIMENSIONS: | | TOLERANCES UNLESS OTHERWISE SPECIFIED: | | APVD | NAME |
|--|------------------------------|---|-----------------------|------------------|-----------|
| MM | | | | | |
| TOLERANCES UNLESS OTHERWISE SPECIFIED: | | TOLERANCES UNLESS OTHERWISE SPECIFIED: | | CHK | |
| 10>* 30>*10 100>*30 ANGEL | ±0.2 ±0.25 ±0.3 ±3° | 0 PLG 1 PLG 2 PLG 3 PLG 4 PRC ANGLES | ± ± ± ± ± | APVD | |
| THIS DRAWING IS A CONTROLLED DOCUMENT. | | RECOMMENDED P.C. BOARD LAYOUT (P.C.B THK:0.8mm MIN) | | PRODUCT SPEC | 108-60016 |
| MATERIAL SEE NOTE | | FINISH SEE NOTE | | APPLICATION SPEC | |
| WEIGHT | | CUSTOMER DRAWING | | SIZE | A3 |
| SCALE | | SHEET | | SCALE | 5:1 |
| SHEET | | REV | | SCALE | 5 OF 6 |
| REV | | REV | | SCALE | C3 |



3 POS.

2 POS.

| Loc | DIST | P | LTR | DESCRIPTION | DATE | DWN | APVD |
|-----|------|---|-----|-------------|------|-----|------|
| ES | 00 | - | - | SEE SHEET 1 | - | - | - |

REVISIONS

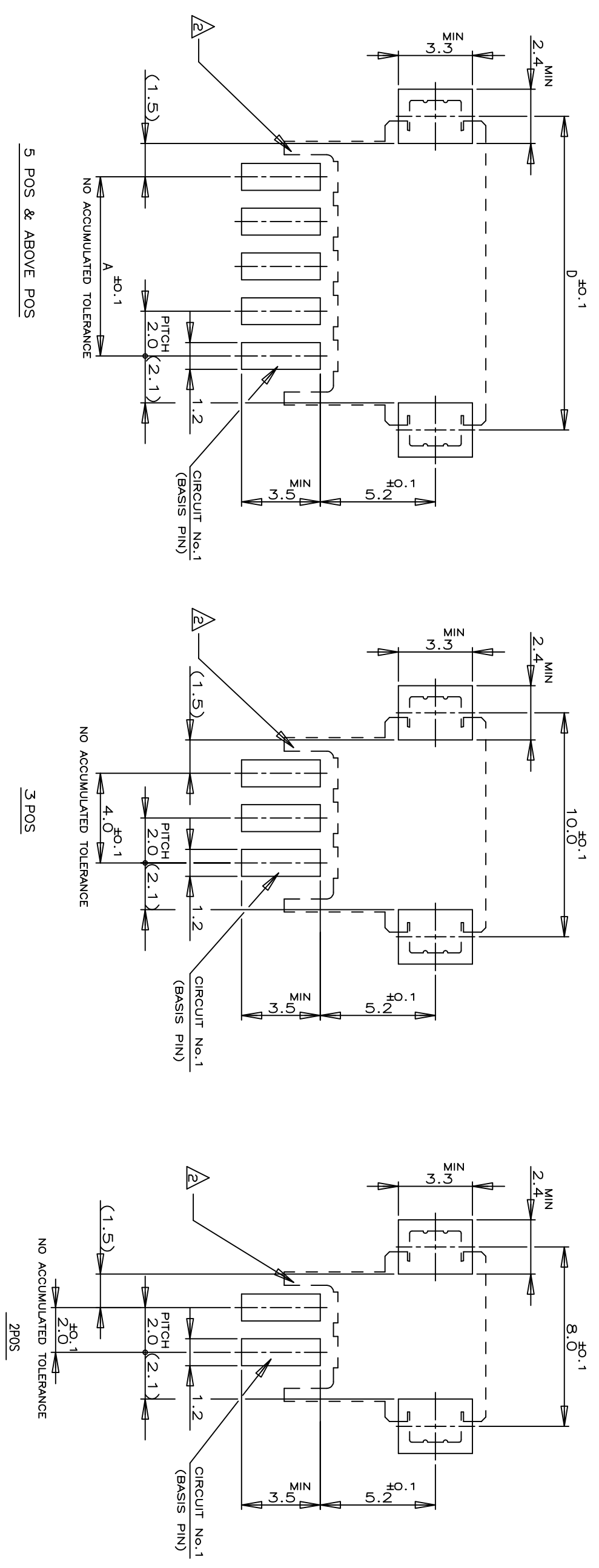
4

4

3

2

1



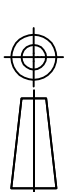
RECOMMENDED P.C.BOARD LAYOUT
(P.C.B THK:0.8mm MIN)

THIS DRAWING IS A CONTROLLED DOCUMENT.



TE Connectivity

| DIMENSIONS: | TOLERANCES UNLESS OTHERWISE SPECIFIED: |
|-------------|--|
| MM | 0 PLC ± |
| | 1 PLC ± |
| | 2 PLC ± |
| | 3 PLC ± |
| | 4 P.C. ANGLES ± |
| | FINISH ± |



MATERIAL

| DMN | CHK | APVD | NAME | SIZE | CAGE CODE | DRAWING NO | RESTRICTED TO |
|-----|-----|------|---|------|-----------|------------|---------------|
| - | - | - | SMT TYPE POST HDR ASS'Y (H) W/O, WITH TAIL TYPE (TE CT CONN. 2mm PITCH) | A3 | 00779 | 292173 | - |

| CUSTOMER DRAWING | WEIGHT | SCALE | SHEET | REV |
|------------------|--------|-------|--------|-----|
| - | - | 5:1 | 6 OF 6 | C3 |