



Chipsmall Limited consists of a professional team with an average of over 10 year of expertise in the distribution of electronic components. Based in Hongkong, we have already established firm and mutual-benefit business relationships with customers from,Europe,America and south Asia,supplying obsolete and hard-to-find components to meet their specific needs.

With the principle of "Quality Parts,Customers Priority,Honest Operation,and Considerate Service",our business mainly focus on the distribution of electronic components. Line cards we deal with include Microchip,ALPS,ROHM,Xilinx,Pulse,ON,Everlight and Freescale. Main products comprise IC,Modules,Potentiometer,IC Socket,Relay,Connector.Our parts cover such applications as commercial,industrial, and automotives areas.

We are looking forward to setting up business relationship with you and hope to provide you with the best service and solution. Let us make a better world for our industry!



Contact us

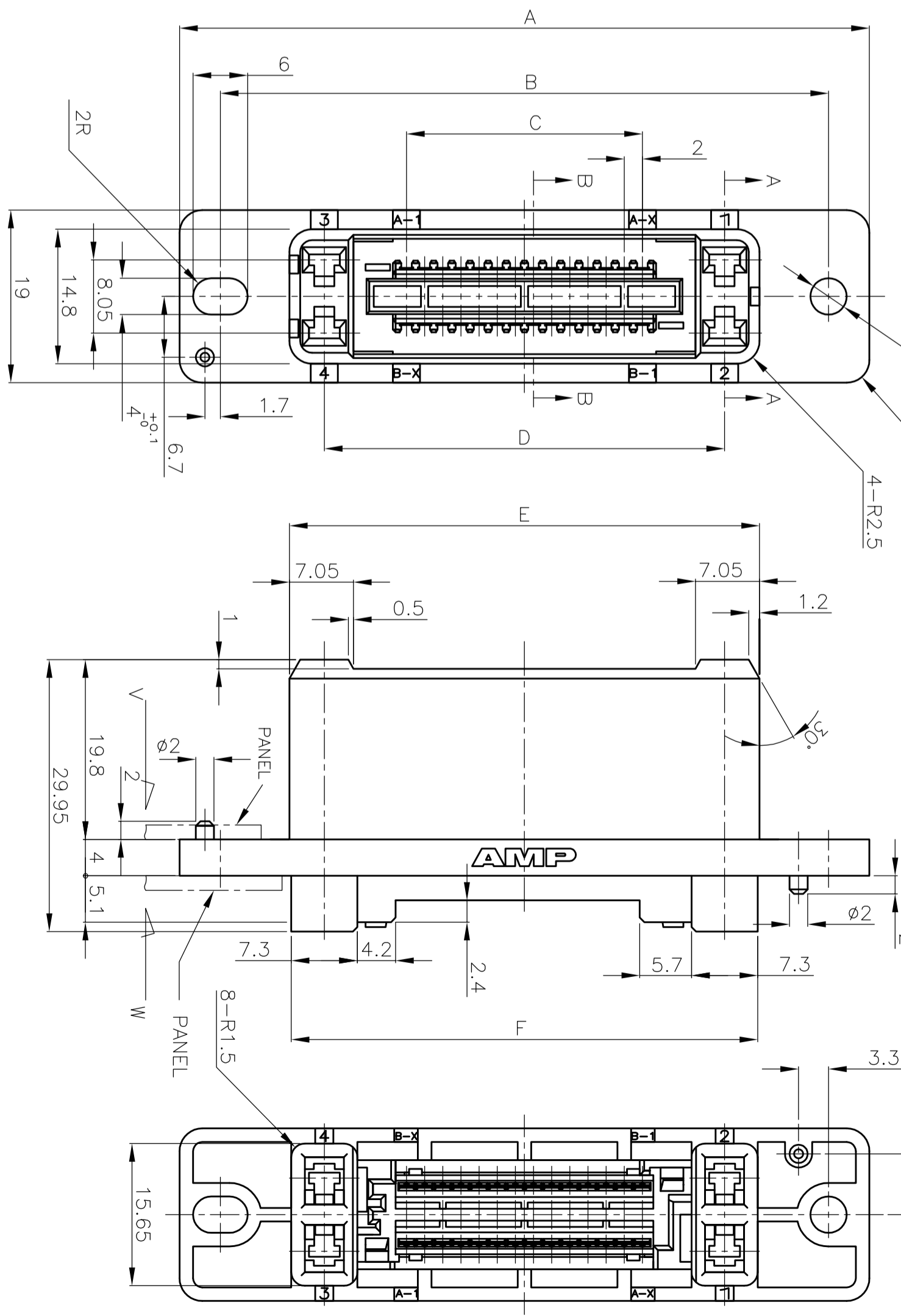
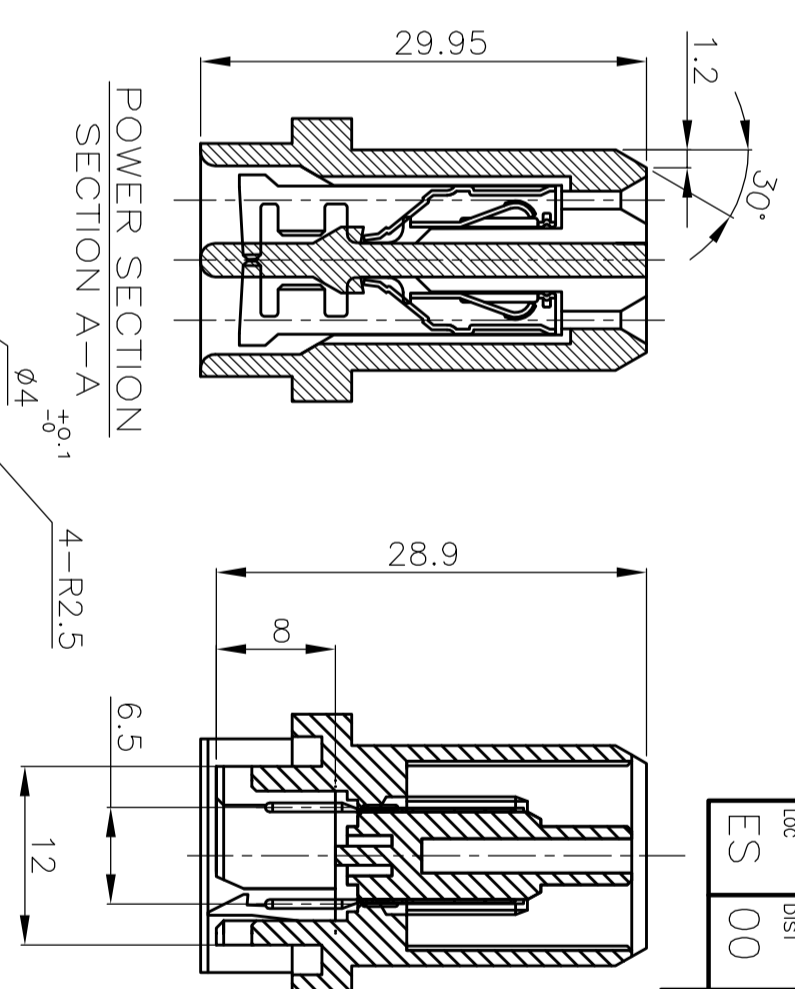
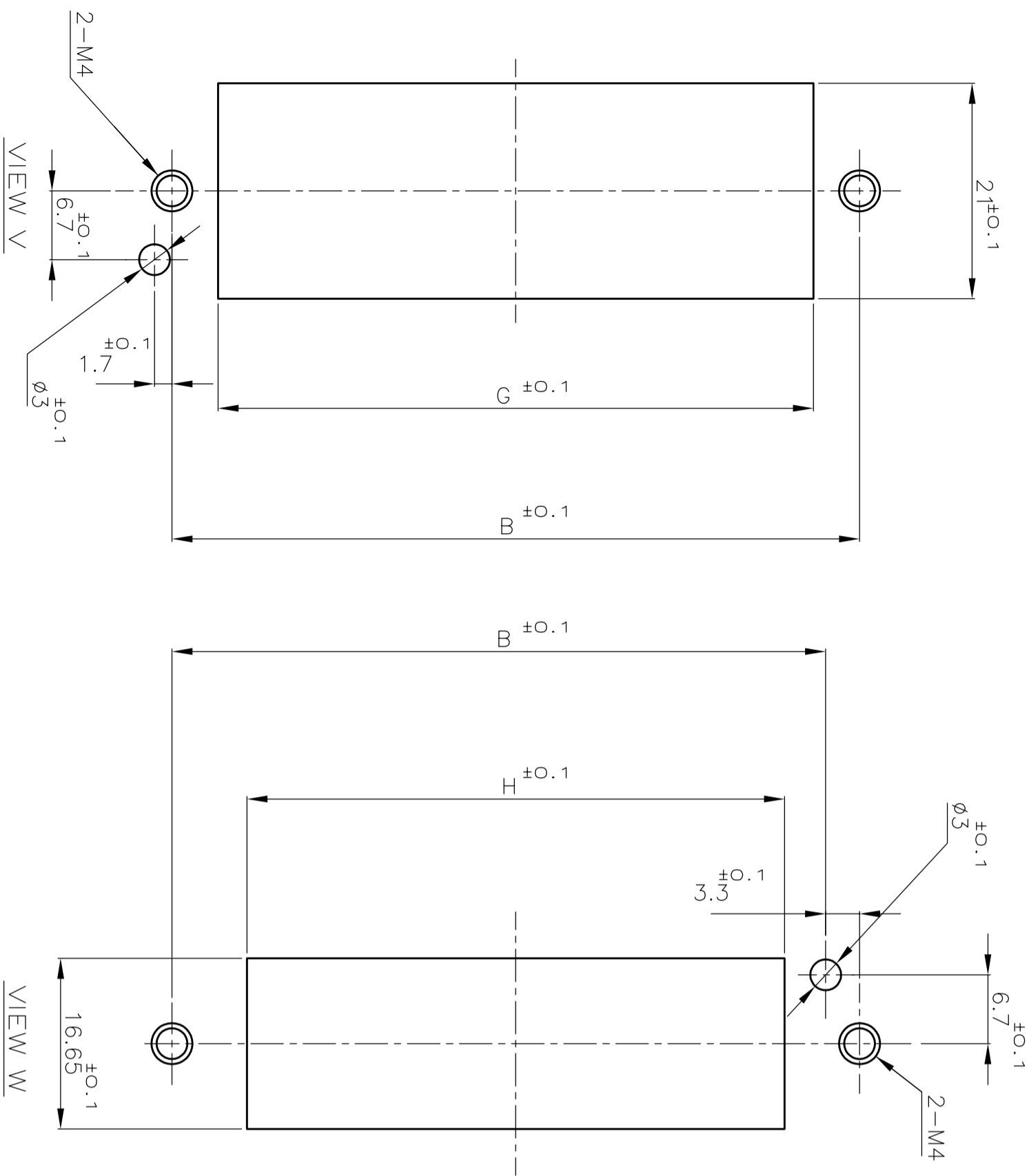
Tel: +86-755-8981 8866 Fax: +86-755-8427 6832

Email & Skype: info@chipsmall.com Web: www.chipsmall.com

Address: A1208, Overseas Decoration Building, #122 Zhenhua RD., Futian, Shenzhen, China



PANEL CUT DIMENSIONS



LOC	DIST	REV	DESCRIPTION	DATE	DMN	APRO
ES	00					
B2	REVISED	FOR-08-015695		19JUN08	C.Z	S.Y

APPLIED CT HOLDER P/N	APPLIED CTCONN P/N	MATING COUNTER P/N	H	G	F	E	D	C	B	A	POS	P/N
2-8	1-4	2-292181-8	52.4	58	51.4	51.8	44.1	26	67	76	4-28	2-8
2-0	1-0	2-292181-0	44.4	50	43.4	43.8	36.1	18	59	68	4-20	2-0
175133-8	173977-4	292182-8	32.4	38	31.4	31.8	24.1	6	47	56	4-8	292185-8

- NOTES
1. MATERIAL
 HOUSING: THERMO PLASTIC
 CONTACT: COPPER ALLOY
 2. CONTACT FINISH
 MATING SIDE: NICKEL PL. ALL OVER GOLD PL.
 CT MATING SIDE: NICKEL PL. ALL OVER SN-100% PL.
 3. APPLIED POWER CONTACT P/N

FINISH	AWG	STRIP	LOOSE PIECE
GOLD	#16~20	179316-4	
PL.	#20~24	179317-4	
TIN	#16~20	1-179316-2	
PL.	#20~24	1-179317-2	

△ P: NUMBER OF POWER CONTACT (UNLOADED)
 S: NUMBER OF SIGNAL CONTACT (PRELOADED)

TOLERANCE UNLESS OTHERWISE SPECIFIED

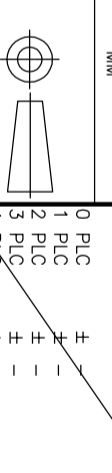
10>* : ±0.2
 30>* > 10 : ±0.25
 100>* > 30 : ±0.3
 ANGLE : ±3°

THIS DRAWING IS A CONTROLLED DOCUMENT.

DIMENSIONS: MM

TOLERANCES UNLESS OTHERWISE SPECIFIED:

0 PIC ±
 1 PIC ±
 2 PIC ±
 3 PIC ±
 4 PIC ±



TYOO ELECTRONICS CORPORATION
 SHANGHAI, P.R. CHINA, 200233

HYBRID MINI DRAWER CONN.
 REC ASS'Y

SIZE: A2
 QTY: 00779
 DRAWING NO: 292185

SCALE: NTS
 SHEET: 1 OF 1
 REV: B2