



Chipsmall Limited consists of a professional team with an average of over 10 year of expertise in the distribution of electronic components. Based in Hongkong, we have already established firm and mutual-benefit business relationships with customers from,Europe,America and south Asia,supplying obsolete and hard-to-find components to meet their specific needs.

With the principle of “Quality Parts,Customers Priority,Honest Operation,and Considerate Service”,our business mainly focus on the distribution of electronic components. Line cards we deal with include Microchip,ALPS,ROHM,Xilinx,Pulse,ON,Everlight and Freescale. Main products comprise IC,Modules,Potentiometer,IC Socket,Relay,Connector.Our parts cover such applications as commercial,industrial, and automotives areas.

We are looking forward to setting up business relationship with you and hope to provide you with the best service and solution. Let us make a better world for our industry!



Contact us

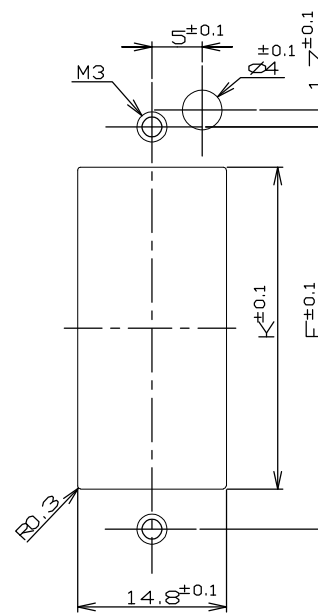
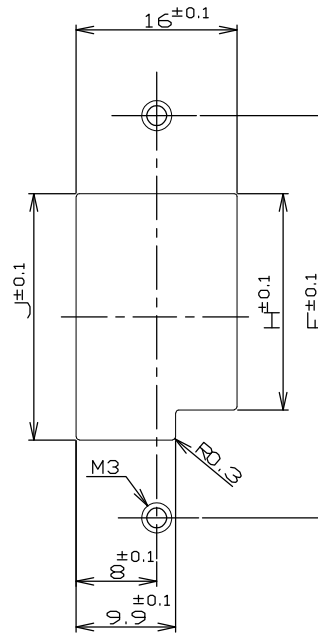
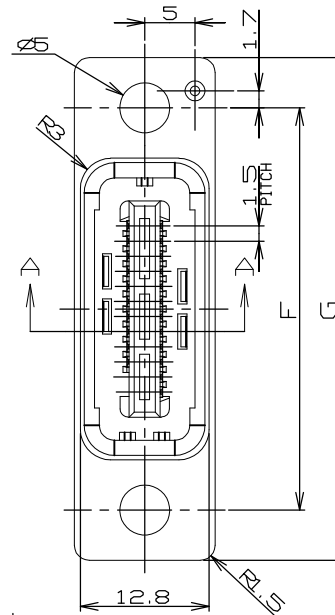
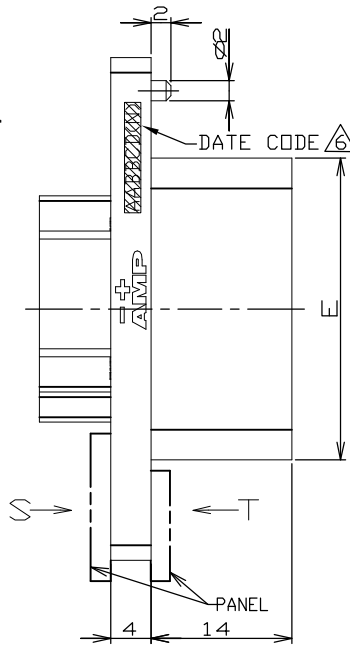
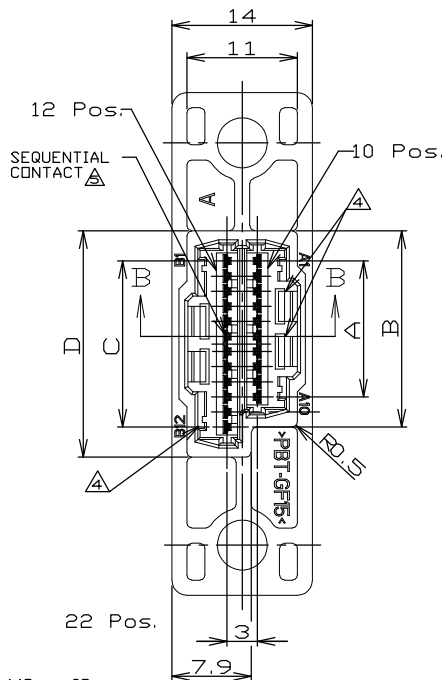
Tel: +86-755-8981 8866 Fax: +86-755-8427 6832

Email & Skype: info@chipsmall.com Web: www.chipsmall.com

Address: A1208, Overseas Decoration Building, #122 Zhenhua RD., Futian, Shenzhen, China

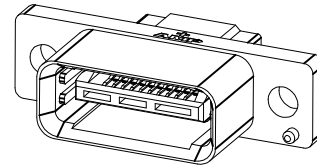
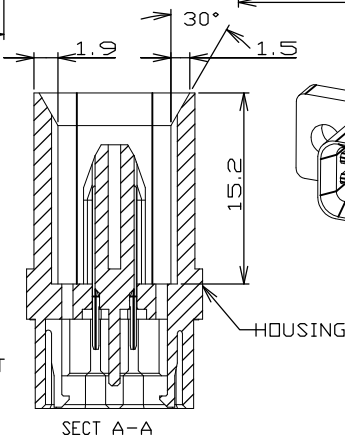
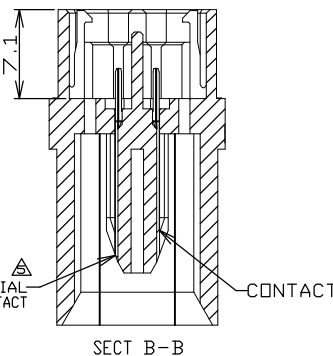
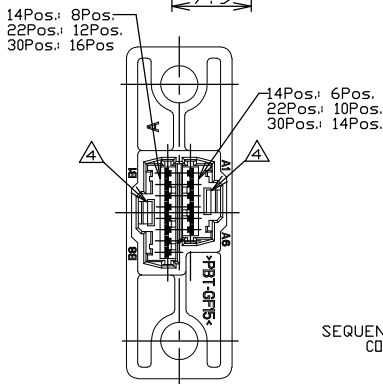


P	LTR	DESCRIPTION	DATE	DWN	APVD
	B1	REVISED ECR-07-028230	26NOV07	A.L.S.Y.	



VIEW S PANEL CUT DIMENSIONS (CONNECTOR MATING SIDE)

VIEW T



SEQUENTIAL CONT. LOCATION	WEIGHT (g)	K	J	H	G	F	E	D	C	B	A	Pos.	P/N
B8	9.9	38	30.5	27.5	56	46	36	28.5	22.5	25.5	19.5	30	3-292234-0
B6	8.4	32	24.5	21.5	50	40	30	22.5	16.5	19.5	13.5	22	2-292234-2
B4	7.0	26	18.5	15.5	44	34	24	16.5	10.5	13.5	7.5	14	1-292234-4

NOTES:
 ① USE WITH MT REC CONN P/N: X-353293-X
 CRIMP HSG P/N: X-353908-X
 CRIMP CONT P/N: 353907-1
 353918-1(L/P)

▲ MATERIAL:
 HOUSING: PBT G.F. UL94V-0 COLOR: BLACK
 CONTACT: BRASS

▲ FINISH:
 CONTACT: NICKEL UNDERPLATE ALL OVER
 CONTACT AREA: GOLD PLATE.
 POST AREA: MATTE TIN PLATE.

▲ LOCK: 14Pos-1LOCK/RDW, 22Pos-2LOCKS/RDW, 30Pos-3LOCKS/RDW.

▲ LOCATION OF SEQUENTIAL CONTACT
 14Pos.: CIRCUIT No.B4 IN 8Pos.ROW
 22Pos.: CIRCUIT No.B6 IN 12Pos.ROW
 30Pos.: CIRCUIT No.B8 IN 16Pos.ROW

▲ LOCATION OF DATE CODE: AABBCD(N)
 (AA: YEAR, BB: WEEK, C: DAY OF WEEK,
 D: DAYTIME, N: NIGHT)

THIS DRAWING IS A CONTROLLED DOCUMENT FOR TYCO ELECTRONICS CORPORATION
 IT IS SUBJECT TO CHANGE AND THE CONTROLLING ENGINEERING ORGANIZATION
 SHOULD BE CONTACTED FOR THE LATEST REVISION.

DIMENSIONS:	TOLERANCES UNLESS OTHERWISE SPECIFIED:	DWN	31JAN03	Tyco Electronics Corporation Shanghai, PRC
MM	0 PLC ±0.1 1 PLC ±0.1 2 PLC ±0.01 3 PLC ±0.001 4 PLC ±0.0001	CHK	31JAN03	
	ANGLES	APVD	31JAN03	
MATERIAL	FINISH	NAME	T.SASAKI	

108-60026 APPLICATION SPEC

PLUG ASS'Y for DC TYPE
 1.5mm PITCH MINI CT DRAWER CONNECTOR

SIZE: A3 CAGE CODE: 00779 DRAWING NO: 292234

WEIGHT: SEE TABLE

CUSTOMER DRAWING

RESTRICTED TO

SCALE: 3:2 SHEET 1 OF 1 REV B1