



Chipsmall Limited consists of a professional team with an average of over 10 year of expertise in the distribution of electronic components. Based in Hongkong, we have already established firm and mutual-benefit business relationships with customers from,Europe,America and south Asia,supplying obsolete and hard-to-find components to meet their specific needs.

With the principle of “Quality Parts,Customers Priority,Honest Operation,and Considerate Service”,our business mainly focus on the distribution of electronic components. Line cards we deal with include Microchip,ALPS,ROHM,Xilinx,Pulse,ON,Everlight and Freescale. Main products comprise IC,Modules,Potentiometer,IC Socket,Relay,Connector.Our parts cover such applications as commercial,industrial, and automotives areas.

We are looking forward to setting up business relationship with you and hope to provide you with the best service and solution. Let us make a better world for our industry!



Contact us

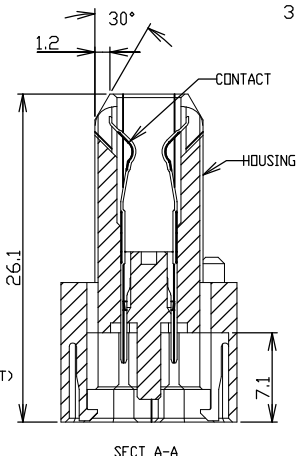
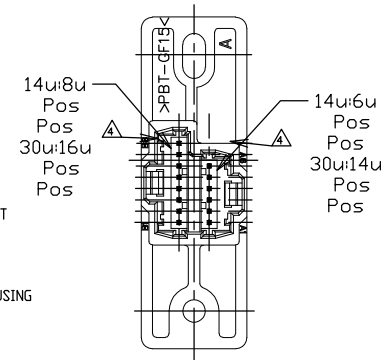
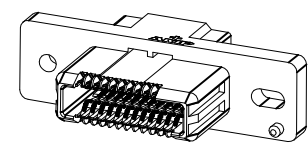
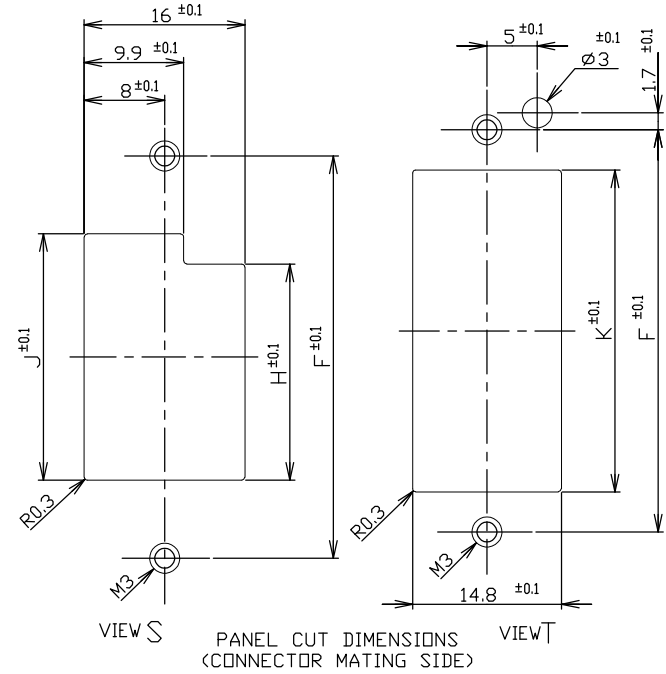
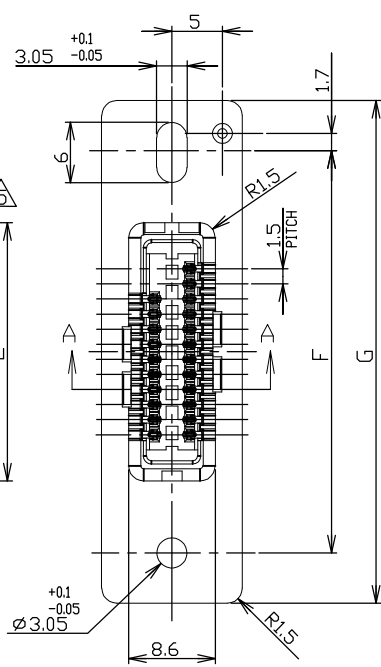
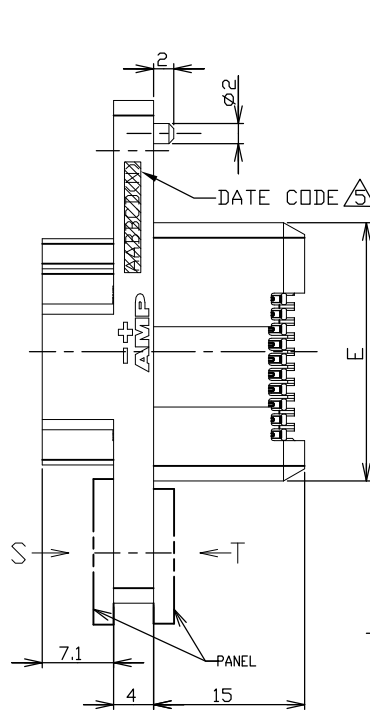
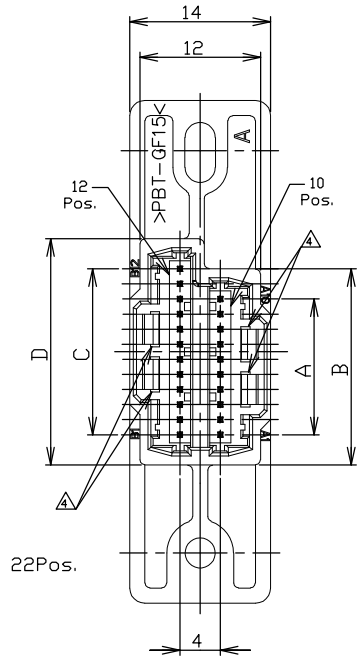
Tel: +86-755-8981 8866 Fax: +86-755-8427 6832

Email & Skype: info@chipsmall.com Web: www.chipsmall.com

Address: A1208, Overseas Decoration Building, #122 Zhenhua RD., Futian, Shenzhen, China



LOC	DIST	REVISONS					
FB	00	P	LTR	DESCRIPTION	DATE	DWN	APVD
		A1		REVISED ECR-07-028230	26NOV07	A.L	S.Y



NOTES:
 ① USE WITH MT REC CONN P/N: X-353293-X
 CRIMP HSG P/N: X-353908-X
 CRIMP CONT P/N: 353907-1
 353918-1(L/P)

MATERIAL:
 HOUSING: PBT G.F. UL94V-0 COLOR: BLACK
 CONTACT: PHOS-BRONZE UNDERPLATE.
 FINISH:
 △ DRAWER MATING AREA: GOLD OVER NICKEL
 MINI CT MATING AREA: TIN OVER NICKEL UNDERPLATE.
 △ LOCK: 14Pos-1LOCK/ROW, 22Pos-2LOCKS/ROW.
 30Pos-3LOCKS/ROW
 △ LOCATION OF DATE CODE: AABBCD(N)
 (AA: YEAR, BB: WEEK, C: DAY OF WEEK, D: DAYTIME, N: NIGHT)

TOLERANCES UNLESS OTHERWISE SPECIFIED:

10 >	: ±0.2
30 > * > 10	: ±0.25
100 > * > 30	: ±0.3
ANGLE	: ±3°

THIS DRAWING IS A CONTROLLED DOCUMENT FOR TYCO ELECTRONICS CORPORATION IT IS SUBJECT TO CHANGE AND THE CONTROLLING ENGINEERING ORGANIZATION SHOULD BE CONTACTED FOR THE LATEST REVISION.

DIMENSIONS:	TOLERANCES UNLESS OTHERWISE SPECIFIED
MM	0 PLC ±
	1 PLC ±0.1
	2 PLC ±0.01
	3 PLC ±0.001
	4 PLC ±0.0001
	ANGLES ±
MATERIAL	FINISH
SEE NOTE	SEE NOTE

DWN	31JAN03
S.XU	
CHK	31JAN03
S.YAD	
APVD	31JAN03
T.SASAKI	
PRODUCT SPEC	
108-60026	
APPLICATION SPEC	
WEIGHT	SEE TABLE
CUSTOMER DRAWING	

9.1	38	30.5	27.5	56	46	31.7	28.5	22.5	25.5	19.5	30	3-292236-0
7.7	32	24.5	21.5	50	40	25.7	22.5	16.5	19.5	13.5	22	2-292236-2
6.3	26	18.5	15.5	44	34	19.7	16.5	10.5	13.5	7.5	14	1-292236-4
WEIGHT (g)	K	J	H	G	F	E	D	C	B	A	Pos.	P/N

WIRE RANGE		INSULATION DIA	
Tyco Electronics Tyco Electronics Corporation Shanghai, PRC			
NAME		REC ASS'Y for DC TYPE 1.5mm PITCH MINI CT DRAWER CONNECTOR	
SIZE	CAGE CODE	DRAWING NO	RESTRICTED TO
A3	00779	©=292236	
SCALE		SHEET	REV
NON		1 OF 1	A1