



Chipsmall Limited consists of a professional team with an average of over 10 year of expertise in the distribution of electronic components. Based in Hongkong, we have already established firm and mutual-benefit business relationships with customers from,Europe,America and south Asia,supplying obsolete and hard-to-find components to meet their specific needs.

With the principle of “Quality Parts,Customers Priority,Honest Operation,and Considerate Service”,our business mainly focus on the distribution of electronic components. Line cards we deal with include Microchip,ALPS,ROHM,Xilinx,Pulse,ON,Everlight and Freescale. Main products comprise IC,Modules,Potentiometer,IC Socket,Relay,Connector.Our parts cover such applications as commercial,industrial, and automotives areas.

We are looking forward to setting up business relationship with you and hope to provide you with the best service and solution. Let us make a better world for our industry!



Contact us

Tel: +86-755-8981 8866 Fax: +86-755-8427 6832

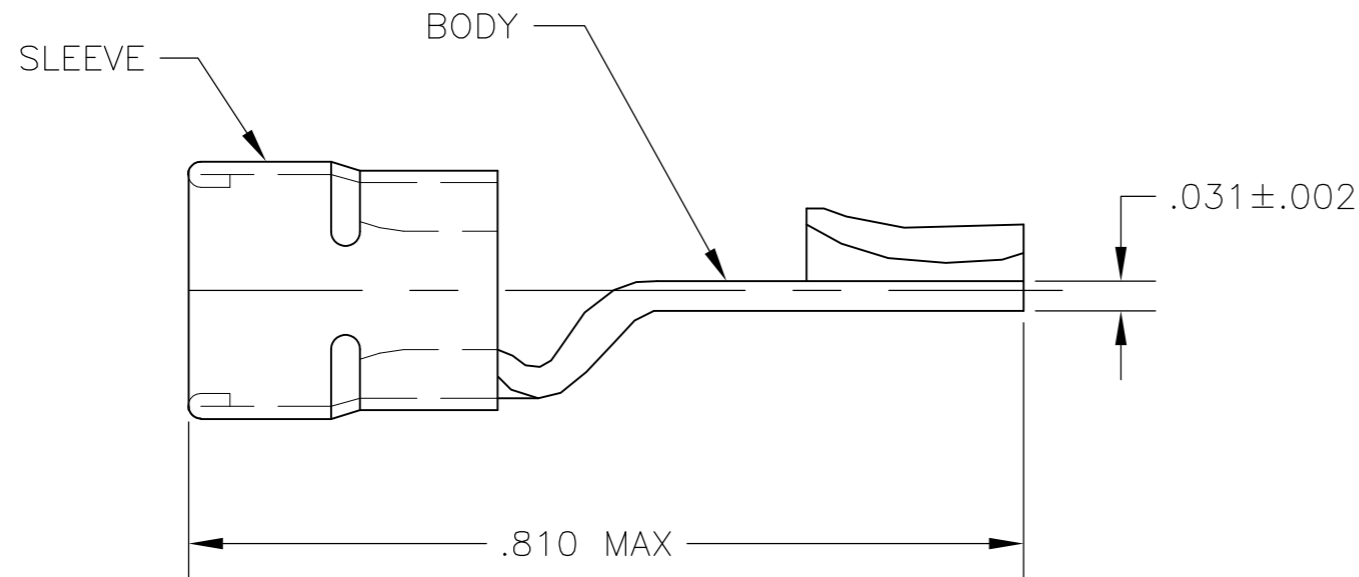
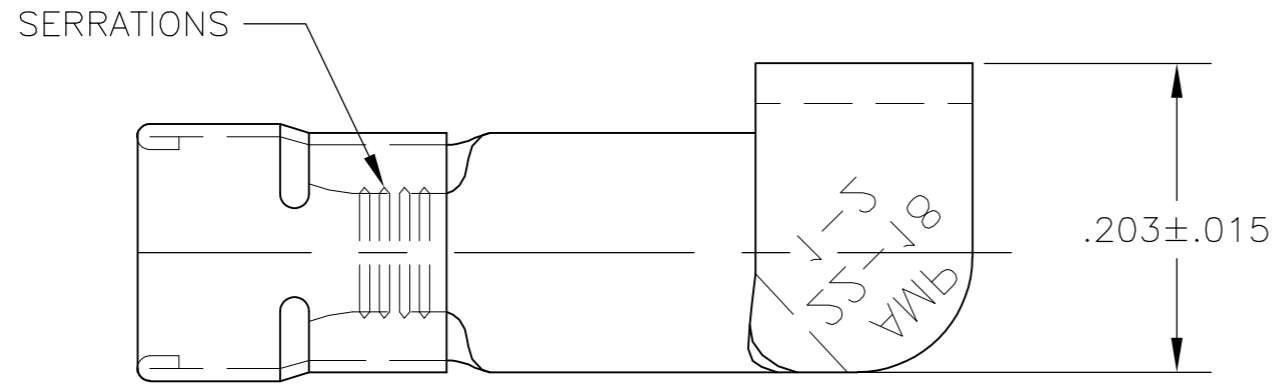
Email & Skype: info@chipsmall.com Web: www.chipsmall.com

Address: A1208, Overseas Decoration Building, #122 Zhenhua RD., Futian, Shenzhen, China



THIS DRAWING IS UNPUBLISHED. RELEASED FOR PUBLICATION
 © COPYRIGHT BY TYCO ELECTRONICS CORPORATION. ALL RIGHTS RESERVED.

LOC	DIST	REVISIONS			
P	LTR	DESCRIPTION	DATE	DWN	APVD
G	86	J	REVISED PER ECR-08-018477	07AUG08	HMR TM



- 1 FOR .080 TO .125 WIRE INSULATION DIA
- 2 MARKING 22-18 FOR MILITARY COMMERCIAL RANGE 22-16.
- △ 3 BODY & SLEEVE: COPPER PER ASTM-B152
- △ 4 TIN PLATE .000100 MIN THK PER ASTM-B545

5000	31770 ON TAPE	2-31770-2
1000	LOOSE PIECE	31770
QTY	PACKAGE TYPE	PART NO

THIS DRAWING IS A CONTROLLED DOCUMENT.		DWN jr_ruth 22DEC2003	Tyco Electronics Corporation Harrisburg, PA 17105-3608	
DIMENSIONS: INCHES		CHK MJ SPICER 22DEC03		
		APVD MJ SPICER 22DEC03	NAME	
TOLERANCES UNLESS OTHERWISE SPECIFIED:		PRODUCT SPEC	WIRE TERMINAL DIAMOND GRIP-KNIFE DISCONNECT WIRE SIZE: 22-16	
0 PLC ± -		APPLICATION SPEC	SIZE	RESTRICTED TO
1 PLC ± -		WEIGHT	CAGE CODE	
2 PLC ± -			DRAWING NO	
3 PLC ± .008			SCALE	
4 PLC ± - ± 5'			SHEET	
MATERIAL			REV	
△ 3				
FINISH				
△ 4				
CUSTOMER DRAWING				