



Chipsmall Limited consists of a professional team with an average of over 10 year of expertise in the distribution of electronic components. Based in Hongkong, we have already established firm and mutual-benefit business relationships with customers from,Europe,America and south Asia,supplying obsolete and hard-to-find components to meet their specific needs.

With the principle of “Quality Parts,Customers Priority,Honest Operation,and Considerate Service”,our business mainly focus on the distribution of electronic components. Line cards we deal with include Microchip,ALPS,ROHM,Xilinx,Pulse,ON,Everlight and Freescale. Main products comprise IC,Modules,Potentiometer,IC Socket,Relay,Connector.Our parts cover such applications as commercial,industrial, and automotives areas.

We are looking forward to setting up business relationship with you and hope to provide you with the best service and solution. Let us make a better world for our industry!



Contact us

Tel: +86-755-8981 8866 Fax: +86-755-8427 6832

Email & Skype: info@chipsmall.com Web: www.chipsmall.com

Address: A1208, Overseas Decoration Building, #122 Zhenhua RD., Futian, Shenzhen, China



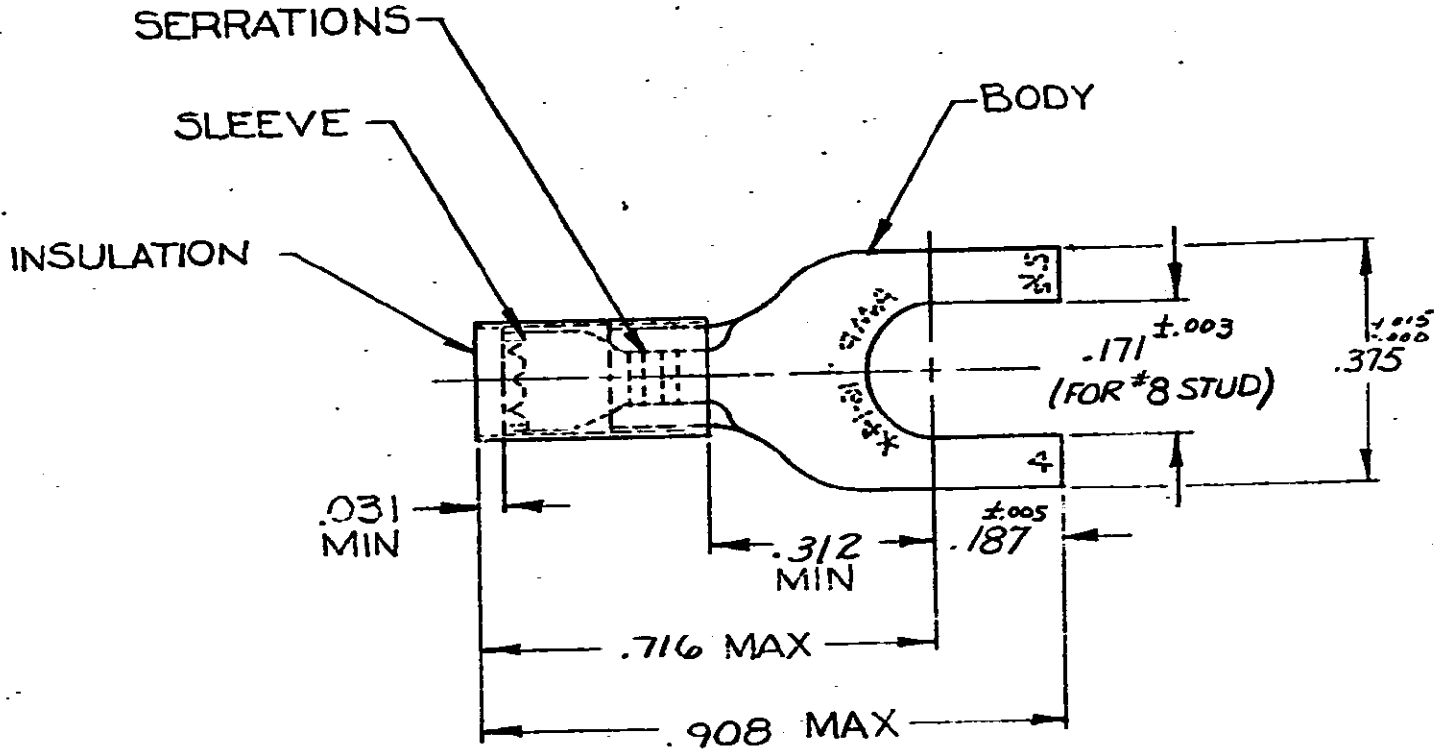
DRAWING MADE IN AMERICAN PROJECTION

LOC **G** PRINT DIST **14**

REVISIONS

LTR	DESCRIPTION	DATE	APPROVED
C1	REVISED PER ECO-11-005294	11APR11	HMR

32056



TONGUE MATERIAL THK = .031 ±.002
FOR .105 TO .150 WIRE INSULATION DIA

100	LOOSE PC, BOX	8-32056-1
1	32056 ON TAPE	2-32056-1
1	WIRE TERMINAL	32056
QTY	DESCRIPTION	PART NO

BODY: COPPER (QQ-C-576)
TIN PL (MIL-T-10727)
SLEEVE: COPPER (QQ-C-576)
INSULATION: NYLON COLOR: BLUE
MATERIAL & FINISH

UNLESS OTHERWISE SPECIFIED DIMENSIONS ARE IN INCHES
TOLERANCES ON:
DECIMALS ±.008
ANGLES ±5°

MATERIAL
SEE TABLE

CONTRACT NO. ---	
DR: <i>Ph Emmeringer</i> 3-12-70	
CHK: <i>P. C. Youngblood</i> 3-16-70	
APPD: <i>J. Walby</i> 3-16-70	
REL: <i>P. C. Youngblood</i> 3-17-70	
DSGN APPD: <i>P. C. Youngblood</i>	
OTHER APPD:	



NAME: WIRE TERMINAL
P.I.D.G. - SPADE
WIRE SIZE: 16-14

SIZE	CODE IDENT NO.	NUMBER
A	00779	32056

SCALE: NTS SHEET 1 OF 1
CUSTOMER DRAWING