



Chipsmall Limited consists of a professional team with an average of over 10 year of expertise in the distribution of electronic components. Based in Hongkong, we have already established firm and mutual-benefit business relationships with customers from,Europe,America and south Asia,supplying obsolete and hard-to-find components to meet their specific needs.

With the principle of “Quality Parts,Customers Priority,Honest Operation,and Considerate Service”,our business mainly focus on the distribution of electronic components. Line cards we deal with include Microchip,ALPS,ROHM,Xilinx,Pulse,ON,Everlight and Freescale. Main products comprise IC,Modules,Potentiometer,IC Socket,Relay,Connector.Our parts cover such applications as commercial,industrial, and automotives areas.

We are looking forward to setting up business relationship with you and hope to provide you with the best service and solution. Let us make a better world for our industry!



## Contact us

Tel: +86-755-8981 8866 Fax: +86-755-8427 6832

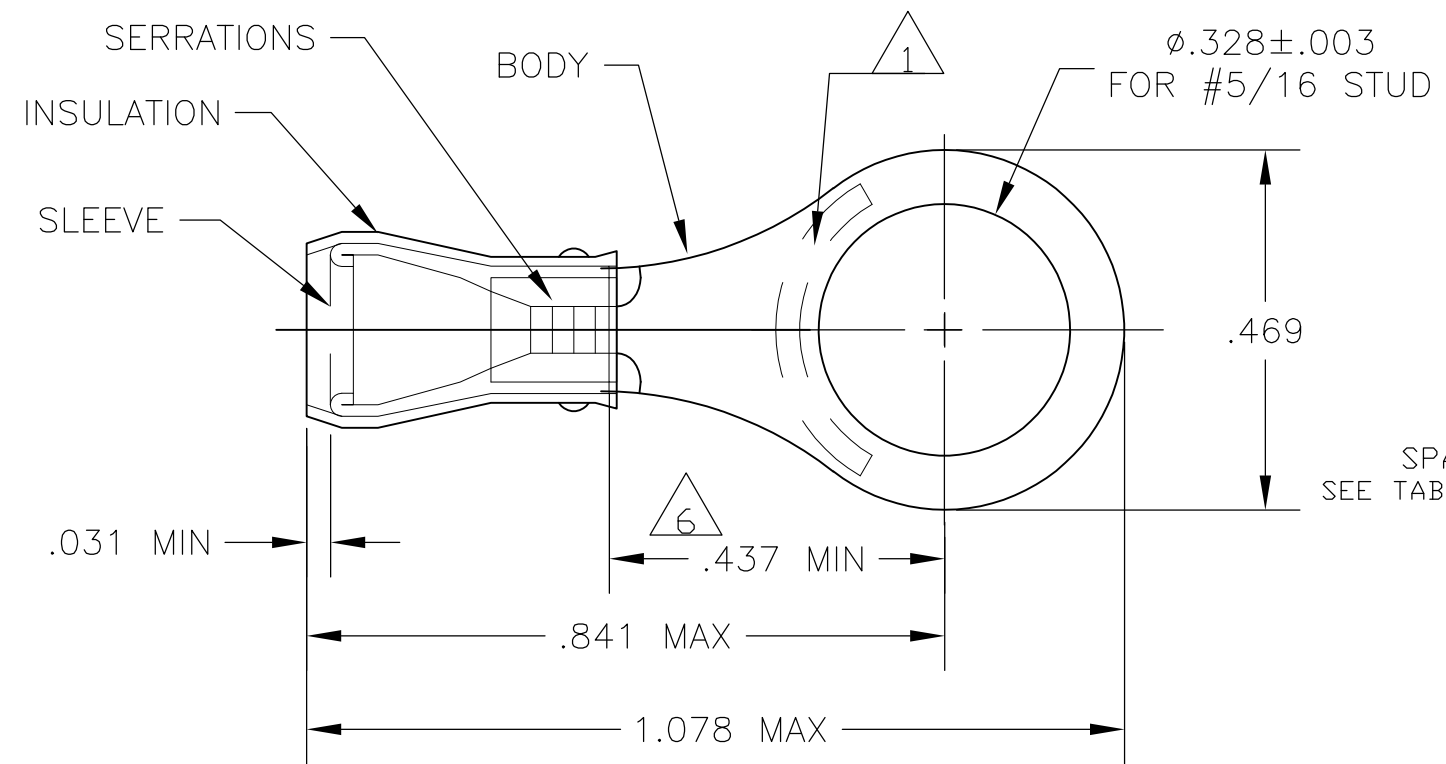
Email & Skype: info@chipsmall.com Web: www.chipsmall.com

Address: A1208, Overseas Decoration Building, #122 Zhenhua RD., Futian, Shenzhen, China

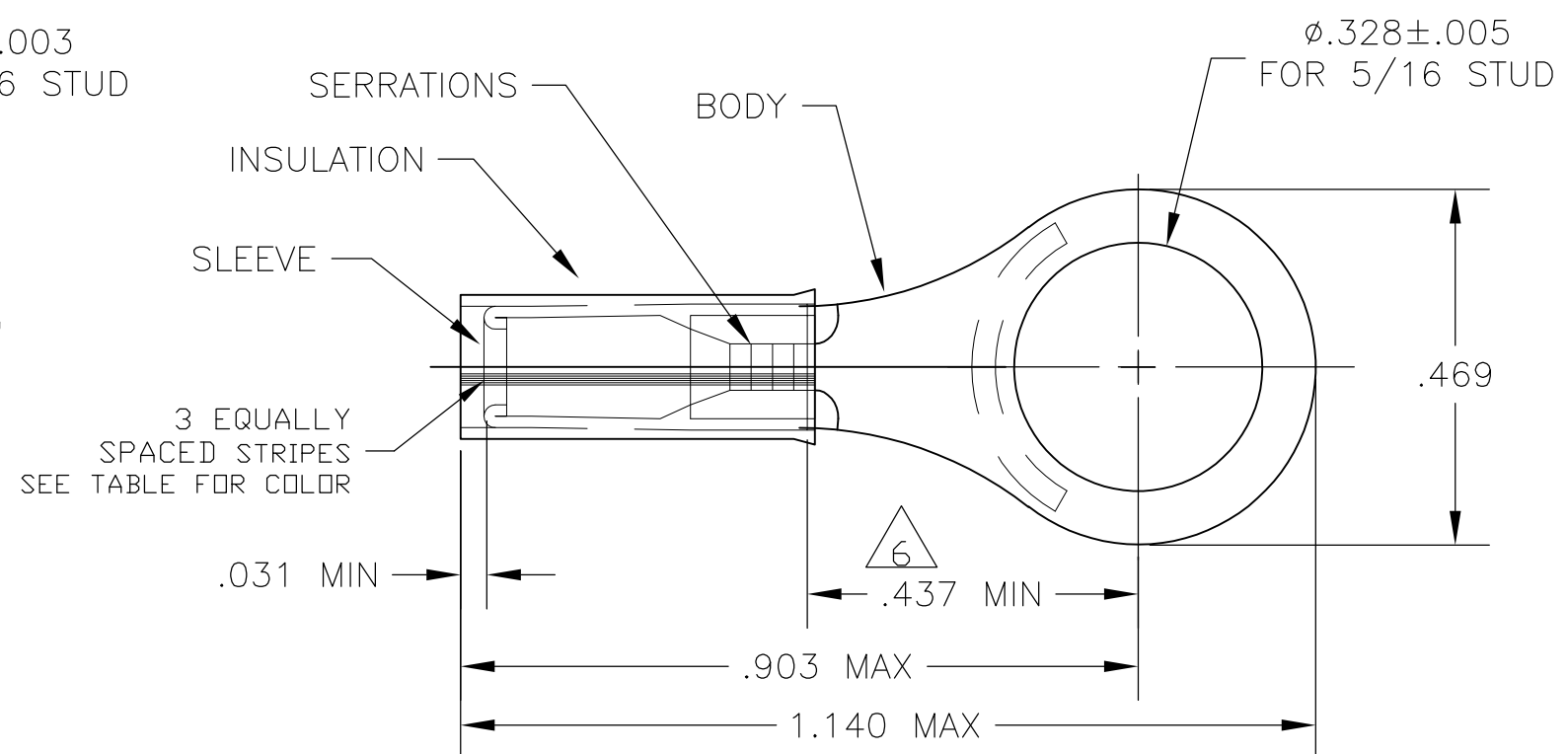


THIS DRAWING IS UNPUBLISHED. RELEASED FOR PUBLICATION  
 © COPYRIGHT - By - ALL RIGHTS RESERVED.

LOC	DIST	REVISIONS					
G	14	P	LTR	DESCRIPTION	DATE	DWN	APVD
			R3	REVISED PER ECO-11-004820	11MAR11	RK	HMR



STYLE "A"



STYLE "B"  
INSULATION RESTRICTING

- 1 STAMP (SEE TABLE) APPROX AS SHOWN
- 2 WIRE INSULATION DIA: SEE TABLE
- 3 TONGUE MATERIAL THK:  $.031 \pm .002$
- 4 BODY & SLEEVE: TIN PLATE PER ASTM B545  
INSULATION: NYLON (MIL-M-20693), TYPE 1
- 5 BODY & SLEEVE- COPPER PER ASTM B152  
INSULATION - COLOR - BLUE
- 6 APPLIES FROM EDGE OF METAL WIRE BARREL  
TO CENTER OF STUD HOLE.
- 7 MEETS MS25036-109, CLASS 1 & 2
- 8 MEETS MS25036-109, CLASS 2
- 9 MEETS M7928/1-44, CLASS 1 & 2
- 10 MEETS M7928/1-53, CLASS 1 & 2

-	-	AMP 16-14*	.105-.150	16-14	A	100	LOOSE PIECE BOX	8-320575-1
<del>2-320575-5</del>	GREEN	AMP 14*	.078-.130	14	B	1	INSULATION RESTRICTING	10 2-320575-3
<del>2-320575-4</del>	BLUE	AMP 16*	.063-.130	16	B	1	INSULATION RESTRICTING	9 2-320575-2
8 2-320575-1	-	AMP 16-14*	.105-.150	16-14	A	1	WIRE TERMINAL	7 320575
PART NO. ON TAPE	COLOR CODE STRIPE	STAMPING	WIRE INS. DIA	WIRE SIZE	STYLE	QTY	DESCRIPTION	PART NO
THIS DRAWING IS A CONTROLLED DOCUMENT.			DWN JR RUTH 09SEPT09		TE Connectivity NAME TERMINAL, RING TONGUE, P.I.D.G. WIRE SIZE: 16-14 AWG			
DIMENSIONS: INCHES		TOLERANCES UNLESS OTHERWISE SPECIFIED:		CHK T MICHELUTTI 09SEPT09				
		0 PLC ± - 1 PLC ± - 2 PLC ± - 3 PLC ± .008 4 PLC ± - ANGLES ± -		APVD T MICHELUTTI 09SEPT09		PRODUCT SPEC		RESTRICTED TO
MATERIAL - 5		FINISH - 4		APPLICATION SPEC		DRAWING NO		
				WEIGHT -		SIZE A3		CAGE CODE 00779
CUSTOMER DRAWING						DRAWING NO C-320575		
						SCALE 4:1		SHEET 1 OF 1
						REV R3		