



Chipsmall Limited consists of a professional team with an average of over 10 year of expertise in the distribution of electronic components. Based in Hongkong, we have already established firm and mutual-benefit business relationships with customers from,Europe,America and south Asia,supplying obsolete and hard-to-find components to meet their specific needs.

With the principle of “Quality Parts,Customers Priority,Honest Operation,and Considerate Service”,our business mainly focus on the distribution of electronic components. Line cards we deal with include Microchip,ALPS,ROHM,Xilinx,Pulse,ON,Everlight and Freescale. Main products comprise IC,Modules,Potentiometer,IC Socket,Relay,Connector.Our parts cover such applications as commercial,industrial, and automotives areas.

We are looking forward to setting up business relationship with you and hope to provide you with the best service and solution. Let us make a better world for our industry!



Contact us

Tel: +86-755-8981 8866 Fax: +86-755-8427 6832

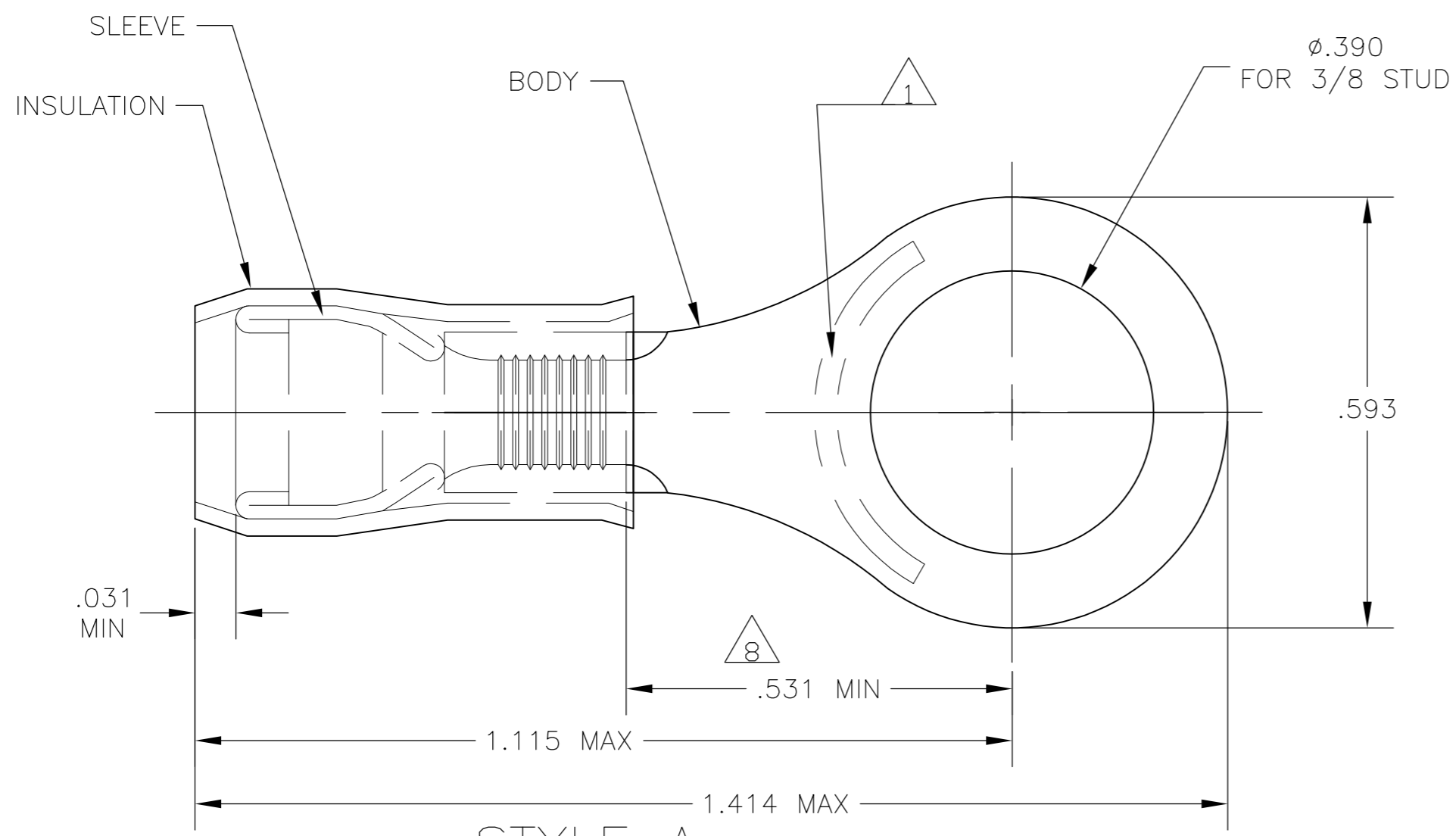
Email & Skype: info@chipsmall.com Web: www.chipsmall.com

Address: A1208, Overseas Decoration Building, #122 Zhenhua RD., Futian, Shenzhen, China

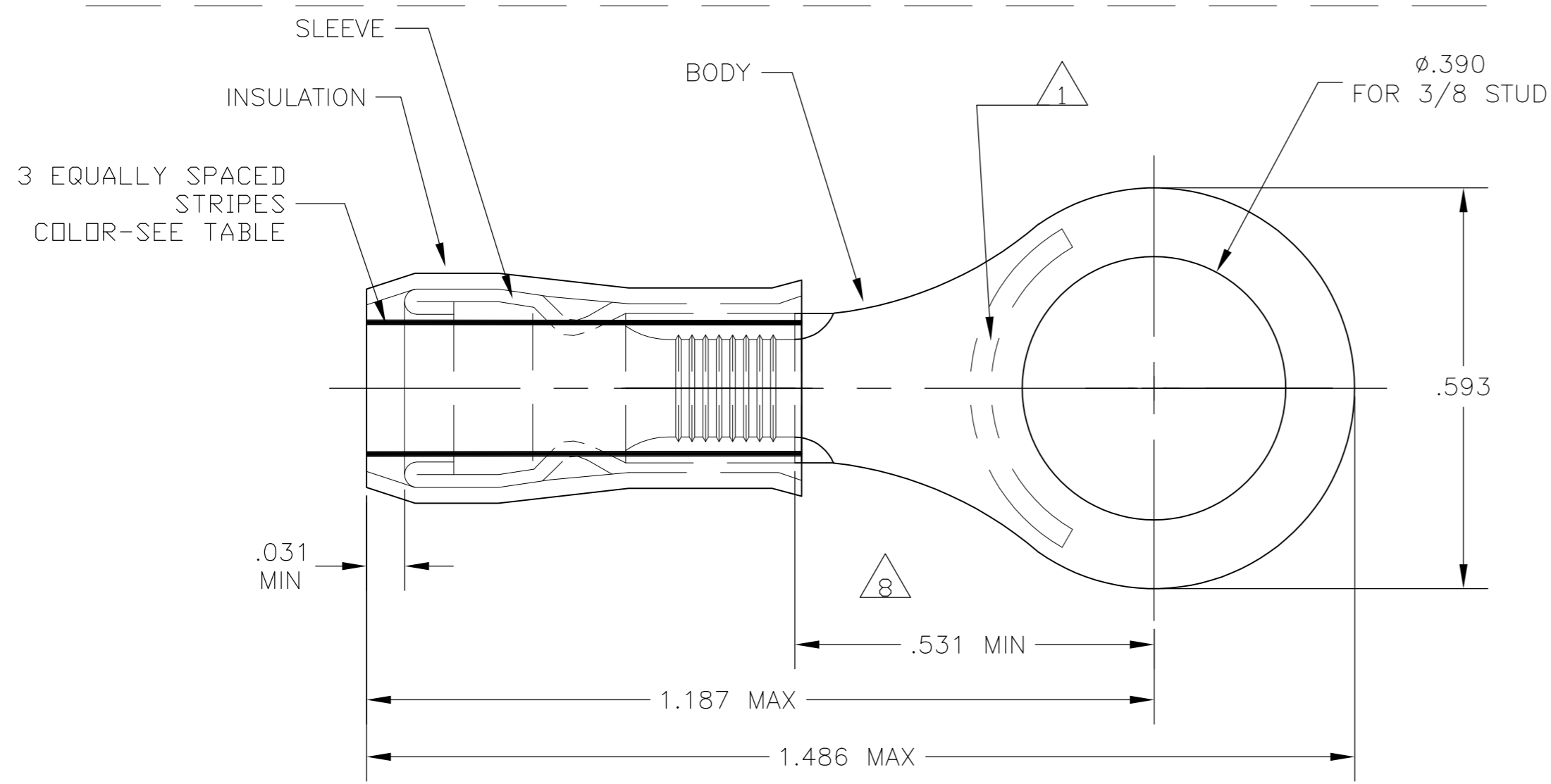


THIS DRAWING IS UNPUBLISHED. RELEASED FOR PUBLICATION
 © COPYRIGHT - By - ALL RIGHTS RESERVED.

LOC	DIST	REVISIONS					
		P	LTR	DESCRIPTION	DATE	DWN	APVD
G	14	N2		REVISED PER ECO-11-004820	11MAR11	RK	HMR



STYLE A



STYLE B
INSULATION RESTRICTING

- 1 STAMP "AMP - SEE TABLE" APPROX AS SHOWN
- 2 WIRE INSULATION DIA: SEE TABLE
- 3 TONGUE MATERIAL THK: .040±.002
- 4 BODY: TIN PLATE .000100 MIN EXT THK PER ASTM B545
- 5 SLEEVE: TIN PLATE .000100 MIN EXT THK PER ASTM B545
- 6 SLEEVE: NICKEL PLATE PER QQ-N-290
- 7 BODY & SLEEVE- CU PER ASTM B152
INSULATION - NYLON PER ASTM D4066
COLOR - YELLOW
- 8 APPLIES FROM EDGE OF METAL WIRE BARREL TO CENTER OF STUD HOLE.
- 9 MEETS MS25036-114, CLASS 1 & 2
- 10 MEETS MS25036-114, CLASS 2
- 11 MEETS M7928/1-61, CLASS 1 & 2
- 12 MEETS M7928/1-68, CLASS 1 & 2

QTY	PACKAGE TYPE	STAMPING	WIRE INSUL DIA	WIRE SIZE	STRIPE COLOR	STYLE	BODY FINISH	SLEEVE FINISH	PART NO
200	LOOSE PIECE, BOX	10	.119-.200	10	BROWN	B		6	8-320577-5
50	LOOSE PIECE, BOX	12-10	.150-.230	12-10	---	A		5	8-320577-2
1000	ON TAPE & REEL	12-10	.150-.230	12-10	---	A	4	5, 10	2-320577-3
500	LOOSE PIECE	10	.119-.200	10	BROWN	B		6, 12	2-320577-2
500	LOOSE PIECE	12	.095-.200	12	YELLOW	B		6, 11	2-320577-1
500	LOOSE PIECE	12-10	.150-.230	12-10	---	A		5, 9	320577

CUSTOMER SERVICE SYSTEMS FOR ADDITIONAL PRODUCT INFORMATION OR COPIES OF DRAWINGS AND TECHNICAL DOCUMENTS: 1-800-522-6752 FOR APPLICATION TOOLING INFORMATION: 1-800-722-1111 FOR ORDER ENTRY: 1-800-526-5142		MAX RECOMMENDED OPERATING TEMPERATURE: 105°C MAX VOLTAGE RATING: 300 VOLT MAX CIRCULAR MIL AREA: 2.62-6.64mm² [5,180-13,100] STRANDED OR SOLID	THIS DRAWING IS A CONTROLLED DOCUMENT. DIMENSIONS: INCHES TOLERANCES UNLESS OTHERWISE SPECIFIED: 0 PLC ± - 1 PLC ± - 2 PLC ± - 3 PLC ± .008 4 PLC ± - ANGLES ± - FINISH: -	DWN: JR RUTH 23DEC09 CHK: T MICHIELUTTI 23DEC09 APVD: T MICHIELUTTI 23DEC09 PRODUCT SPEC: - APPLICATION SPEC: - WEIGHT: -	TE Connectivity NAME: TERMINAL, RING TONGUE, PIDG WIRE SIZE: 12-10 AWG SIZE: A2 CAGE CODE: 00779 DRAWING NO: C-320577 SCALE: 5:1 SHEET: 1 of 1 REV: N2
---	--	--	---	--	---