



Chipsmall Limited consists of a professional team with an average of over 10 year of expertise in the distribution of electronic components. Based in Hongkong, we have already established firm and mutual-benefit business relationships with customers from,Europe,America and south Asia,supplying obsolete and hard-to-find components to meet their specific needs.

With the principle of “Quality Parts,Customers Priority,Honest Operation,and Considerate Service”,our business mainly focus on the distribution of electronic components. Line cards we deal with include Microchip,ALPS,ROHM,Xilinx,Pulse,ON,Everlight and Freescale. Main products comprise IC,Modules,Potentiometer,IC Socket,Relay,Connector.Our parts cover such applications as commercial,industrial, and automotives areas.

We are looking forward to setting up business relationship with you and hope to provide you with the best service and solution. Let us make a better world for our industry!



Contact us

Tel: +86-755-8981 8866 Fax: +86-755-8427 6832

Email & Skype: info@chipsmall.com Web: www.chipsmall.com

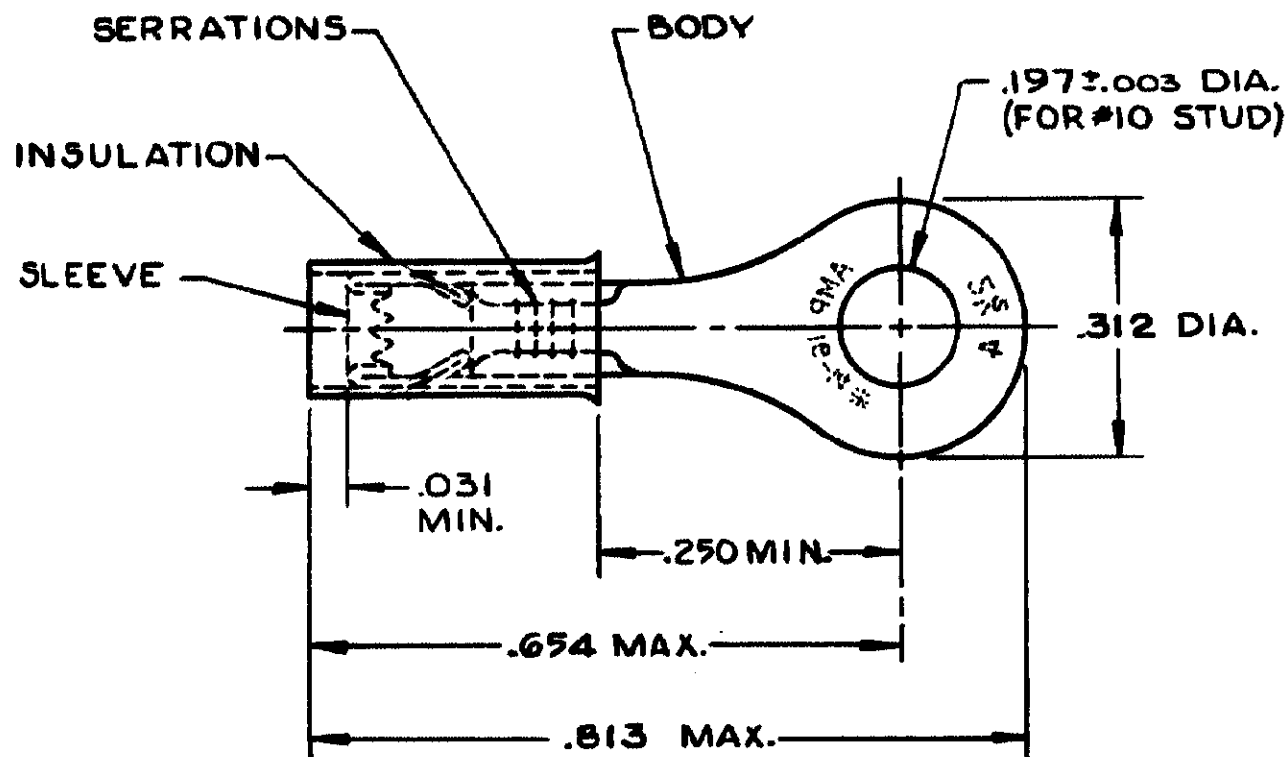
Address: A1208, Overseas Decoration Building, #122 Zhenhua RD., Futian, Shenzhen, China



THIS DRAWING IS UNPUBLISHED. RELEASED FOR PUBLICATION . 19

© COPYRIGHT 19 BY AMP INCORPORATED, HARRISBURG, PA. ALL INTERNATIONAL RIGHTS RESERVED. AMP PRODUCTS MAY BE COVERED BY U.S. AND FOREIGN PATENTS AND/OR PATENTS PENDING.

REVISIONS						
P	F	ZONE	LTR	DESCRIPTION	DATE	APPROVED
✓	✓		C	REDRAWN, REVISED PER G-147B, G-1175, P85-0119 / P85-0120	1/28/86	ppm
✓	✓		D	OBSOLETE 2-222-3 / G-2393	5/24/87	SS ppm
✓	✓		E	OBS. 322238 G-3864	1-20-87	DKS / jir



- 1 WIRE INSULATION DIA. = .117 - .170
- 2 TONGUE MATERIAL THK. = .031 ± .002
- 3 BODY FINISH: TIN PLATE (MIL-T-10727) .000100 MIN THK.

OBSOLETE	100	ON TAPE, SM. BOX	2-322238-3
OBSOLETE	1000	ON TAPE, LB. BOX	2-322238-2
	5000	ON TAPE, REEL	2-322238-1
OBSOLETE	---	LOOSE PIECE	322238

UNLESS OTHERWISE SPECIFIED DIMENSIONS ARE IN INCHES. TOLERANCES ON:		CONTRACT NO		AMP AMP INCORPORATED Harrisburg, Pa.	
DECIMALS	± .003	DR	UTA / RFB 10-1-85	NAME TERMINAL, P.I.D.G., RING TONGUE WIRE SIZE: 16-14	
ANGLES	± —	CHK	<i>P. Mityalaugh 1/28/86</i>		
MATERIAL	INSULATION: PVC - BLUE BODY & SLEEVE COPPER (QQ-C-776)	APPD	<i>Chaitantran 01/30/86</i>	SIZE	B
FINISH	BODY: 3	DSGN APPD		FSCM NO	00779
		OTHER APPD		DRAWING NO	322238
				SCALE	NTS
				SHEET	1 OF 1