



Chipsmall Limited consists of a professional team with an average of over 10 year of expertise in the distribution of electronic components. Based in Hongkong, we have already established firm and mutual-benefit business relationships with customers from,Europe,America and south Asia,supplying obsolete and hard-to-find components to meet their specific needs.

With the principle of “Quality Parts,Customers Priority,Honest Operation,and Considerate Service”,our business mainly focus on the distribution of electronic components. Line cards we deal with include Microchip,ALPS,ROHM,Xilinx,Pulse,ON,Everlight and Freescale. Main products comprise IC,Modules,Potentiometer,IC Socket,Relay,Connector.Our parts cover such applications as commercial,industrial, and automotives areas.

We are looking forward to setting up business relationship with you and hope to provide you with the best service and solution. Let us make a better world for our industry!



Contact us

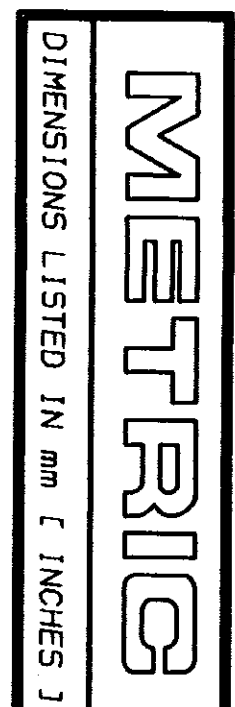
Tel: +86-755-8981 8866 Fax: +86-755-8427 6832

Email & Skype: info@chipsmall.com Web: www.chipsmall.com

Address: A1208, Overseas Decoration Building, #122 Zhenhua RD., Futian, Shenzhen, China

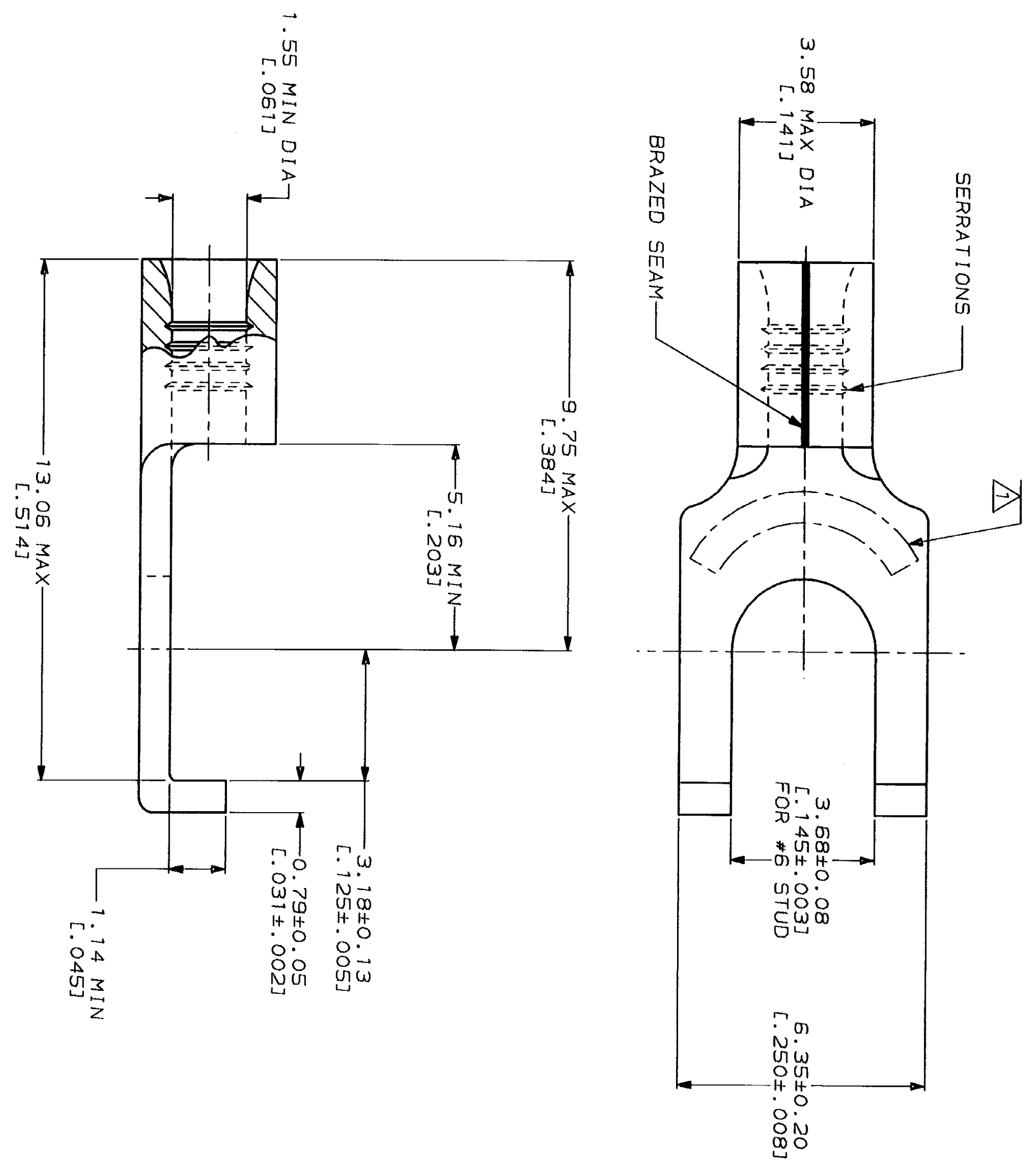


LOC	QTY	REV	DESCRIPTION	DATE	APPD
G	14		REV. RDW. & SM PKG PER 0720-0040-93	4-8-93	JL



AMP WIRE RANGE	JL E13288 Listed
22-16 AWG SOLID OR STRANDED	22-16 AWG SOLID OR STRANDED
LR2189 Certified	MILITARY P/N AND CLASS
22-16 AWG SOLID OR STRANDED	NOT APPLICABLE

STAMP AMP 22-18* APPROX AS SHOWN
 22-16 TERMINALS ARE STAMPED 22-18 IN
 ACCORDANCE WITH MILITARY SPECIFICATION
 MIL-T-7928; COMMERCIAL WIRE RANGE IS 22-16



AMP INCORPORATED
CUSTOMER SERVICE SYSTEMS

FOR ADDITIONAL PRODUCT INFORMATION OR COPIES OF DRAWINGS AND TECHNICAL DOCUMENTS	PRODUCT INFORMATION CENTER 1-800-522-6752
FOR APPLICATION TOOLING INFORMATION	TOOLING ASSISTANCE CENTER 1-800-722-1111
FOR ORDER ENTRY	1-800-526-5142

MAX RECOMMENDED OPERATING TEMPERATURE: 170°C MAX	DO NOT SCALE PRINT. UNLESS SPECIFIED DIMENSIONS IN INCHES - TOLERANCES ON: 1. PLC DEC ± .005 2. PLG DEC ± .005 3. PLG DEC ± .005
VOLTAGE RATING: NOT APPLICABLE	MATERIAL: COPPER PER ASTM B-152 ANNEALED
WIRE CROSS SECTIONAL AREA RANGE: 0.26-1.65mm² [509-3,260] CIR MILS SOLID OR STRANDED	FINISH: TIN PLATE 0.00254 [L.000100] MIN THK PER MIL-T-10727

DR 4-8-93 TA BRINKMAN	CHK 4-8-93 DA PATTERSON	APPD 4-8-93 DE MILLER	APPD 4-8-93 JL MECKLEY	PRODUCT SPEC	APPLICATION SPEC	WEIGHT
100	LOOSE PIECE, BOX	8-323136-1	5000	ON TAPE	2-323136-1	
	LOOSE PIECE	323136				

AMP
 AMP Incorporated
 Harrisburg, PA 17105-3608

TERMINAL, FLANGED
 SPADE, SOLISTRAND™

SIZE	CAGE CODE	DRAWING NO
SCALE 10:1	00779	323136