



Chipsmall Limited consists of a professional team with an average of over 10 year of expertise in the distribution of electronic components. Based in Hongkong, we have already established firm and mutual-benefit business relationships with customers from,Europe,America and south Asia,supplying obsolete and hard-to-find components to meet their specific needs.

With the principle of “Quality Parts,Customers Priority,Honest Operation,and Considerate Service”,our business mainly focus on the distribution of electronic components. Line cards we deal with include Microchip,ALPS,ROHM,Xilinx,Pulse,ON,Everlight and Freescale. Main products comprise IC,Modules,Potentiometer,IC Socket,Relay,Connector.Our parts cover such applications as commercial,industrial, and automotives areas.

We are looking forward to setting up business relationship with you and hope to provide you with the best service and solution. Let us make a better world for our industry!



Contact us

Tel: +86-755-8981 8866 Fax: +86-755-8427 6832

Email & Skype: info@chipsmall.com Web: www.chipsmall.com

Address: A1208, Overseas Decoration Building, #122 Zhenhua RD., Futian, Shenzhen, China



4

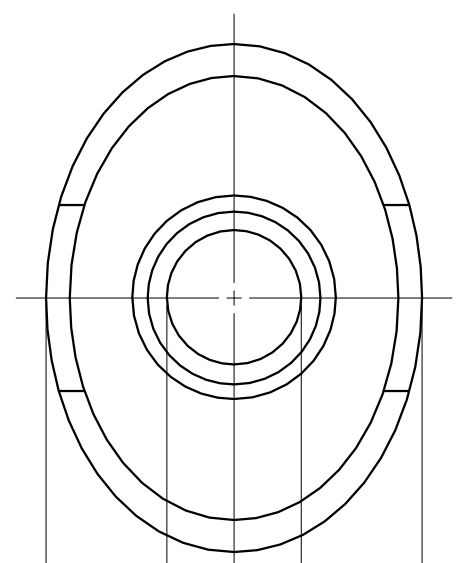
3

2

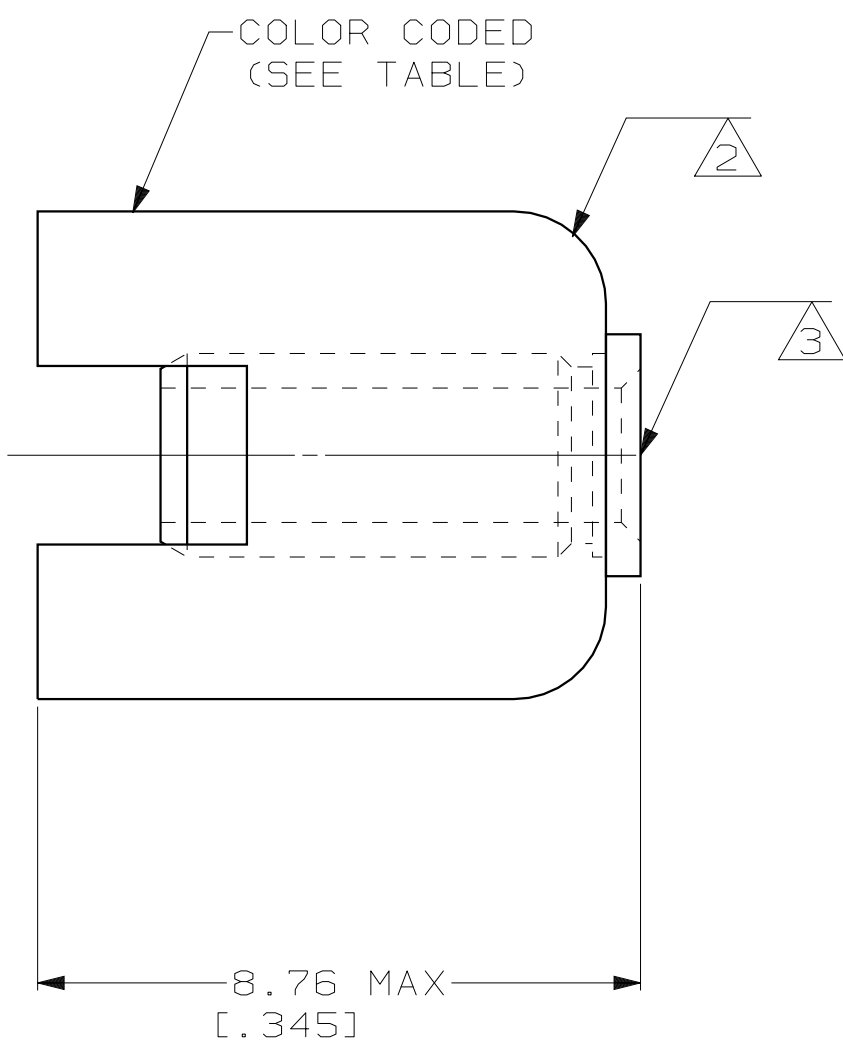
1

THIS DRAWING IS UNPUBLISHED. RELEASED FOR PUBLICATION, 19 .
© COPYRIGHT 19 BY AMP INCORPORATED. ALL RIGHTS RESERVED.

LOC	DIST	REVISIONS			
P	LTR	DESCRIPTION	DATE	DWN	APVD
AJ	16	U	REV PER 0U20-0563-00	190CT00	MO JL



$\phi 1.78 \pm 0.13$
 $[\phi .070 \pm .005]$
 $5.05^{+0.13}_{-0.38}$
 $[\ .199^{+.005}_{-.015}]$



- 1 ZINC PLATE PER QQ-Z-325
- 2 COPPER PER QQ-C-576
- 3 BRASS PER ASTM-B-16
- 4 TIN PLATE PER MIL-T-10727

INSULATION DIA: $0.84-1.50$
 $[\ .033-.059]$

OBSOLETE	.0194 OZ	NONE	4	2-323930-3
	.0194 OZ	VIOLET	4	2-323930-2
OBSOLETE	-	VIOLET	4	2-323930-1
	.0187 OZ	VIOLET	1	323930
WEIGHT	COLOR	FINISH	PART NUMBER	

THIS DRAWING IS A CONTROLLED DOCUMENT.		DWN J.L.GROFT 1-3-97	AMP Incorporated Harrisburg, PA 17105-3608	
DIMENSIONS: mm [INCHES]		CHK S.W.BURKHOLDER 1-3-97		
TOLERANCES UNLESS OTHERWISE SPECIFIED:		APVD S.W.BURKHOLDER 1-3-97	NAME FERRULE ASSEMBLY, TERMASHIELD	
0 PLC ±- 1 PLC ±- 2 PLC ±- 3 PLC ±- 4 PLC ±- ANGLES ±-		PRODUCT SPEC -	DRAWING NO A3 00779 C-323930	
MATERIAL SEE NOTES		FINISH SEE NOTES	SCALE 10:1	SHEET 1 OF 1
		WEIGHT -	REV U	
		CUSTOMER DRAWING		