



Chipsmall Limited consists of a professional team with an average of over 10 year of expertise in the distribution of electronic components. Based in Hongkong, we have already established firm and mutual-benefit business relationships with customers from,Europe,America and south Asia,supplying obsolete and hard-to-find components to meet their specific needs.

With the principle of "Quality Parts,Customers Priority,Honest Operation,and Considerate Service",our business mainly focus on the distribution of electronic components. Line cards we deal with include Microchip,ALPS,ROHM,Xilinx,Pulse,ON,Everlight and Freescale. Main products comprise IC,Modules,Potentiometer,IC Socket,Relay,Connector.Our parts cover such applications as commercial,industrial, and automotives areas.

We are looking forward to setting up business relationship with you and hope to provide you with the best service and solution. Let us make a better world for our industry!



## Contact us

Tel: +86-755-8981 8866 Fax: +86-755-8427 6832

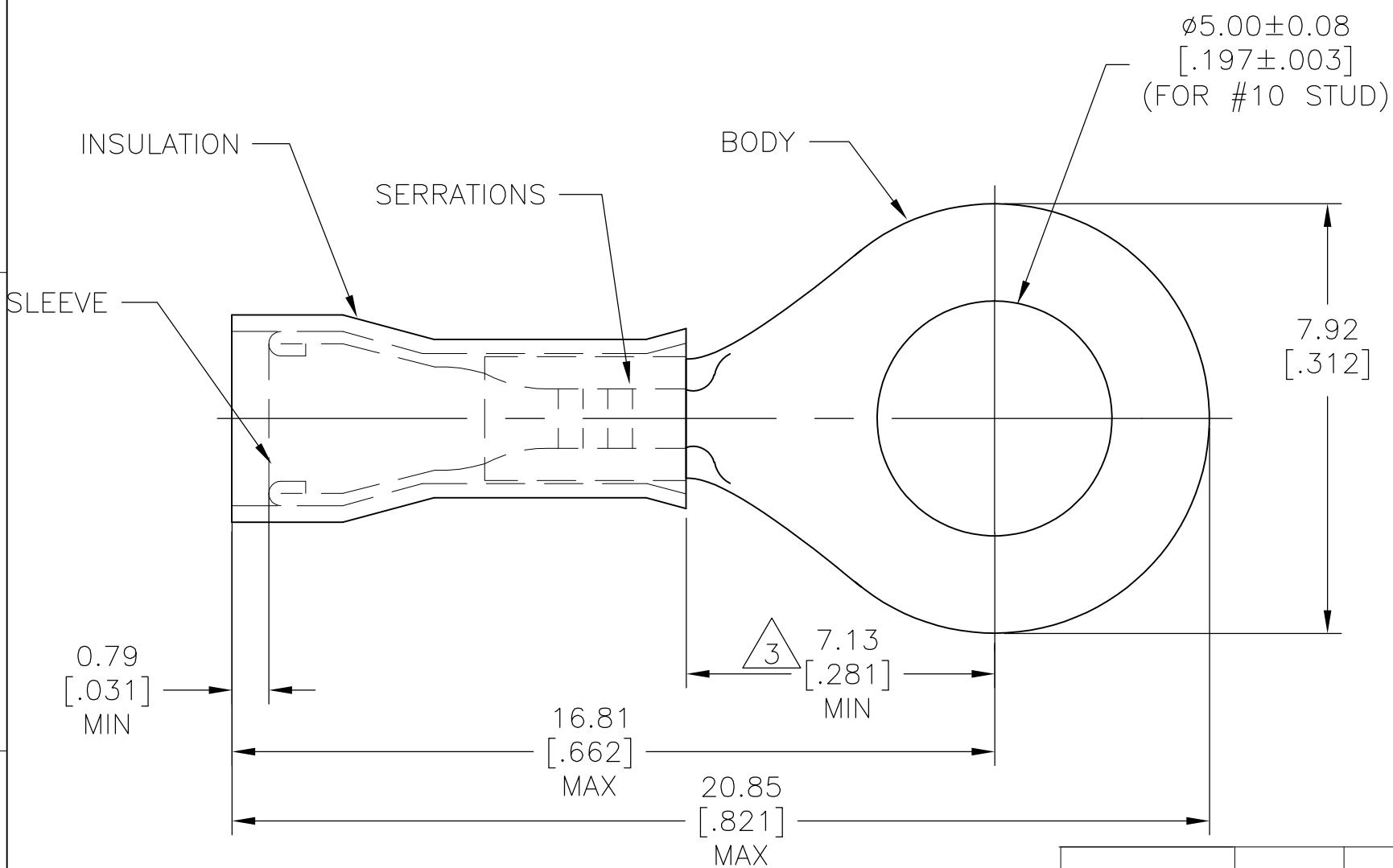
Email & Skype: info@chipsmall.com Web: www.chipsmall.com

Address: A1208, Overseas Decoration Building, #122 Zhenhua RD., Futian, Shenzhen, China



THIS DRAWING IS UNPUBLISHED. RELEASED FOR PUBLICATION  
 © COPYRIGHT - By - ALL RIGHTS RESERVED.

LOC	DIST	REVISIONS					
		P	LTR	DESCRIPTION	DATE	DWN	APVD
G	14		F2	REVISED PER ECO-11-004917	11MAR11	RK	HMR



- 1 FOR 1.02 [.040] TO 2.54 [.100] WIRE INSULATION DIA
- 2 TONGUE MATERIAL THK =  $0.58 \pm 0.05$  [ $.023 \pm .002$ ]
- 3 APPLIES FROM THE METAL EDGE OF THE BARREL TO THE CENTER OF THE STUD
- 4 SUPERCEDED BY 323990

4	OBSOLETE	5000	2-323990-2 ON TAPE	BODY & SLEEVE: COPPER (ASTM-B152) TIN PL (ASTM-B545) INSULATION: BLACK NYLON (ASTM-D4066) TYPE 1	2-323990-3
	4	OBSOLETE	1000		LOOSE PC
4	OBSOLETE	5000	323990 ON TAPE	BODY & SLEEVE: COPPER (ASTM-B152) TIN PL (ASTM-B545) INSULATION: NATURAL NYLON (ASTM-D4066) TYPE 1	2-323990-1
			1000		LOOSE PC
		QTY	PACKAGE TYPE	MATERIAL & FINISH	PART NO

THIS DRAWING IS A CONTROLLED DOCUMENT.		DWN R.GRZYBOWSKI 9NOV2009	<b>STE</b> TE Connectivity			
DIMENSIONS: mm [INCHES]		CHK TOM MICHIELUTTI 9NOV2009				
TOLERANCES UNLESS OTHERWISE SPECIFIED:		APVD M.PERCHERKE 9NOV2009	NAME			
0 PLC ± -		PRODUCT SPEC	WIRE TERMINAL			
1 PLC ± -		APPLICATION SPEC	PIDG - RING TONGUE			
2 PLC ± -		WEIGHT	WIRE SIZE: 24-20			
3 PLC ± 0.20 [.008]		MATERIAL SEE TABLE	SIZE	CAGE CODE	DRAWING NO	RESTRICTED TO
4 PLC ± -			FINISH	SEE TABLE	SEE TABLE	SEE TABLE
ANGLES ± 0° 30'		CUSTOMER DRAWING		SCALE	SHEET	REV
				8:1	1 OF 1	F2