



Chipsmall Limited consists of a professional team with an average of over 10 year of expertise in the distribution of electronic components. Based in Hongkong, we have already established firm and mutual-benefit business relationships with customers from,Europe,America and south Asia,supplying obsolete and hard-to-find components to meet their specific needs.

With the principle of "Quality Parts,Customers Priority,Honest Operation,and Considerate Service",our business mainly focus on the distribution of electronic components. Line cards we deal with include Microchip,ALPS,ROHM,Xilinx,Pulse,ON,Everlight and Freescale. Main products comprise IC,Modules,Potentiometer,IC Socket,Relay,Connector.Our parts cover such applications as commercial,industrial, and automotives areas.

We are looking forward to setting up business relationship with you and hope to provide you with the best service and solution. Let us make a better world for our industry!



## Contact us

Tel: +86-755-8981 8866 Fax: +86-755-8427 6832

Email & Skype: info@chipsmall.com Web: www.chipsmall.com

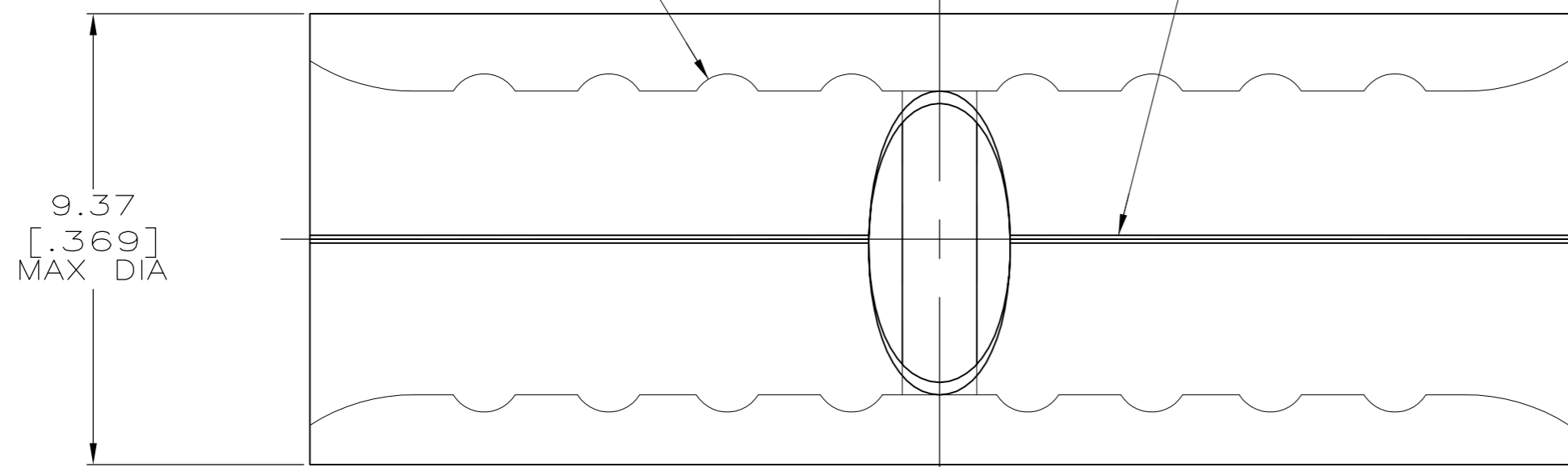
Address: A1208, Overseas Decoration Building, #122 Zhenhua RD., Futian, Shenzhen, China



THIS DRAWING IS UNPUBLISHED. RELEASED FOR PUBLICATION  
 © COPYRIGHT BY TYCO ELECTRONICS CORPORATION. ALL RIGHTS RESERVED.

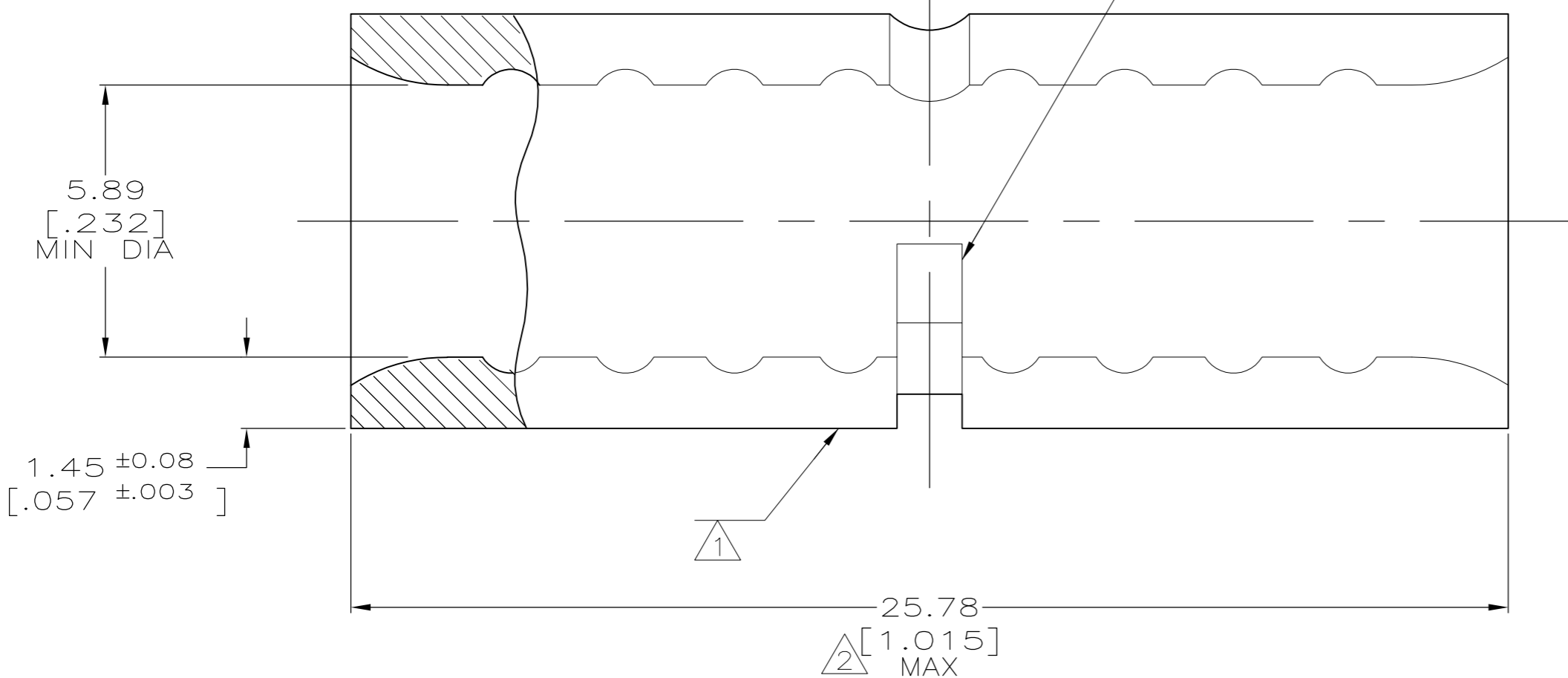
LOC	DIST	REVISIONS					
		P	LTR	DESCRIPTION	DATE	DWN	APVD
G	14		H1	REVISED PER ECR 08-010436	23APR08	JR	RL

DIMPLES BRAZED SEAM



<b>AMP</b> WIRE RANGE	Listed FILE E13288	LR7189 Certified
6 AWG SOLID OR STRANDED	6 AWG STRANDED	6 AWG SOLID OR STRANDED

WIRE STOP



- 1 STAMP AMP 6W\* APPROX AS SHOWN
- 2 MAXIMUM LENGTH DOES NOT INCLUDE MANUFACTURING TABS
- 3 GOLD PLATE 0.00127[.000050] MIN THK PER MIL-G-45204 TYPE II OVER NICKEL PLATE 0.00762[.000030] MIN THK PER QQ-N-290
- 4 GOLD PLATE 0.00381[.000150] MIN THK PER MIL-G-45204 OVER NICKEL PLATE 0.01270[.000500] MIN THK PER QQ-N-290
- 5 SILVER PLATE 0.01270[.000500] MIN THK PER QQ-S-365
- 6 NICKEL PLATE 0.00800[.000300] MIN THK PER QQ-N-290
- 7 COPPER PER ASTM B-152, ANNEALED

	FINISH	TEMPERATURE RATING	PART NO.
	5	170°C MAX	2-324309-2
OBSOLETE	4	170°C MAX	2-324309-1
	6	343°C MAX	324309-2
OBSOLETE	3	170°C MAX	324309

<b>AMP INCORPORATED CUSTOMER SERVICE SYSTEMS</b>		MAX RECOMMENDED OPERATING TEMPERATURE: SEE TABLE
FOR ADDITIONAL PRODUCT INFORMATION OR COPIES OF DRAWINGS AND TECHNICAL DOCUMENTS	PRODUCT INFORMATION CENTER 1-800-522-6752	VOLTAGE RATING: N/A
FOR APPLICATION TOOLING INFORMATION	TOOLING ASSISTANCE CENTER 1-800-722-1111	CIRCULAR MIL AREA: 10.5-16.8mm <sup>2</sup> [20,800-33,100] SOLID OR STRANDED
FOR ORDER ENTRY	1-800-526-5142	THIS DRAWING IS A CONTROLLED DOCUMENT FOR AMP INCORPORATED. IT IS SUBJECT TO CHANGE AND THE CONTROLLING ENGINEERING ORGANIZATION SHOULD BE CONTACTED FOR THE LATEST REVISION.

THIS DRAWING IS A CONTROLLED DOCUMENT.		DWN DK SCHRUM 5/2/94	Tyco Electronics Corporation Harrisburg, PA 17105-3608	
DIMENSIONS: INCHES		CHK DA PATTERSON 5/5/94	NAME	
TOLERANCES UNLESS OTHERWISE SPECIFIED:		APVD JL MECKLEY 5/5/94	PRODUCT SPEC	
0 PLC ± -		APPLICATION SPEC		
1 PLC ± -		WEIGHT -		
2 PLC ± -		SIZE A2		
3 PLC ± -		CAGE CODE 00779		
4 PLC ± -		DRAWING NO C-324309		
ANGLES ± -		RESTRICTED TO		
MATERIAL	FINISH	SCALE 8:1 SHEET 1 OF 1 REV H1		
7	SEE TABLE	CUSTOMER DRAWING		