



Chipsmall Limited consists of a professional team with an average of over 10 year of expertise in the distribution of electronic components. Based in Hongkong, we have already established firm and mutual-benefit business relationships with customers from,Europe,America and south Asia,supplying obsolete and hard-to-find components to meet their specific needs.

With the principle of “Quality Parts,Customers Priority,Honest Operation,and Considerate Service”,our business mainly focus on the distribution of electronic components. Line cards we deal with include Microchip,ALPS,ROHM,Xilinx,Pulse,ON,Everlight and Freescale. Main products comprise IC,Modules,Potentiometer,IC Socket,Relay,Connector.Our parts cover such applications as commercial,industrial, and automotives areas.

We are looking forward to setting up business relationship with you and hope to provide you with the best service and solution. Let us make a better world for our industry!



Contact us

Tel: +86-755-8981 8866 Fax: +86-755-8427 6832

Email & Skype: info@chipsmall.com Web: www.chipsmall.com

Address: A1208, Overseas Decoration Building, #122 Zhenhua RD., Futian, Shenzhen, China



4

3

2

1

THIS DRAWING IS UNPUBLISHED.

RELEASED FOR PUBLICATION

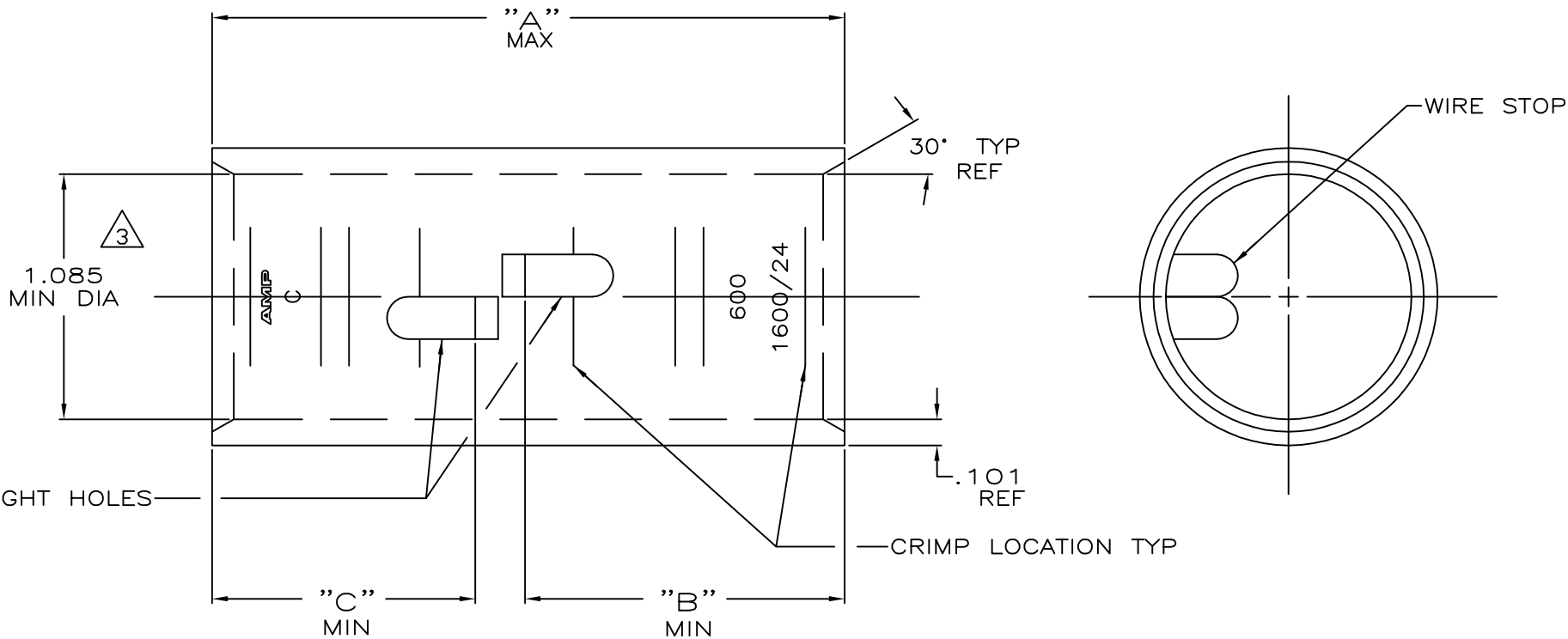
ALL RIGHTS RESERVED.

© COPYRIGHT - By -

LOC G DIST 86

REVISIONS

P	LTR	DESCRIPTION	DATE	DWN	APVD
	S	ECR-13-000998	11FEB2013	PK	HS



1 TIN PL .000150 MIN THK MIL-T-10727

2 PART NO: 324467; .317 LB.
PART NO: 1-324467-0; .317 LB.
PART NO: 2-324467-3; .348 LB.

3 .045 MAX BURR ALLOWED INSIDE THE WIRE BARREL ID IN AREA OF SIGHT HOLE.

1.16	1.41	2.86	1	550-650 MCM	COPPER ASTM-B-75 ANNEALED	2-324467-3
1.16	1.16	2.61	CLEANED			1-324467-0
"C"	"B"	"A"	FINISH	WIRE RANGE	MATERIAL	PART No 324467

THIS DRAWING IS A CONTROLLED DOCUMENT.

DWN DK SCHRUM 4/24/89		NAME SPLICE, BUTT, AMPPOWER WIRE SIZE: 600 MCM				
CHK MS FEHER 4/24/89						
APVD WJ VOCKROTH 11/8/89						
PRODUCT SPEC						
APPLICATION SPEC	SIZE A3	CAGE CODE 00779	DRAWING NO C=324467	RESTRICTED TO		
MATERIAL SEE TABLE	FINISH SEE TABLE	WEIGHT 2	CUSTOMER DRAWING	SCALE 2:1	SHEET 1 OF 1	REV S