



Chipsmall Limited consists of a professional team with an average of over 10 year of expertise in the distribution of electronic components. Based in Hongkong, we have already established firm and mutual-benefit business relationships with customers from,Europe,America and south Asia,supplying obsolete and hard-to-find components to meet their specific needs.

With the principle of “Quality Parts,Customers Priority,Honest Operation,and Considerate Service”,our business mainly focus on the distribution of electronic components. Line cards we deal with include Microchip,ALPS,ROHM,Xilinx,Pulse,ON,Everlight and Freescale. Main products comprise IC,Modules,Potentiometer,IC Socket,Relay,Connector.Our parts cover such applications as commercial,industrial, and automotives areas.

We are looking forward to setting up business relationship with you and hope to provide you with the best service and solution. Let us make a better world for our industry!



Contact us

Tel: +86-755-8981 8866 Fax: +86-755-8427 6832

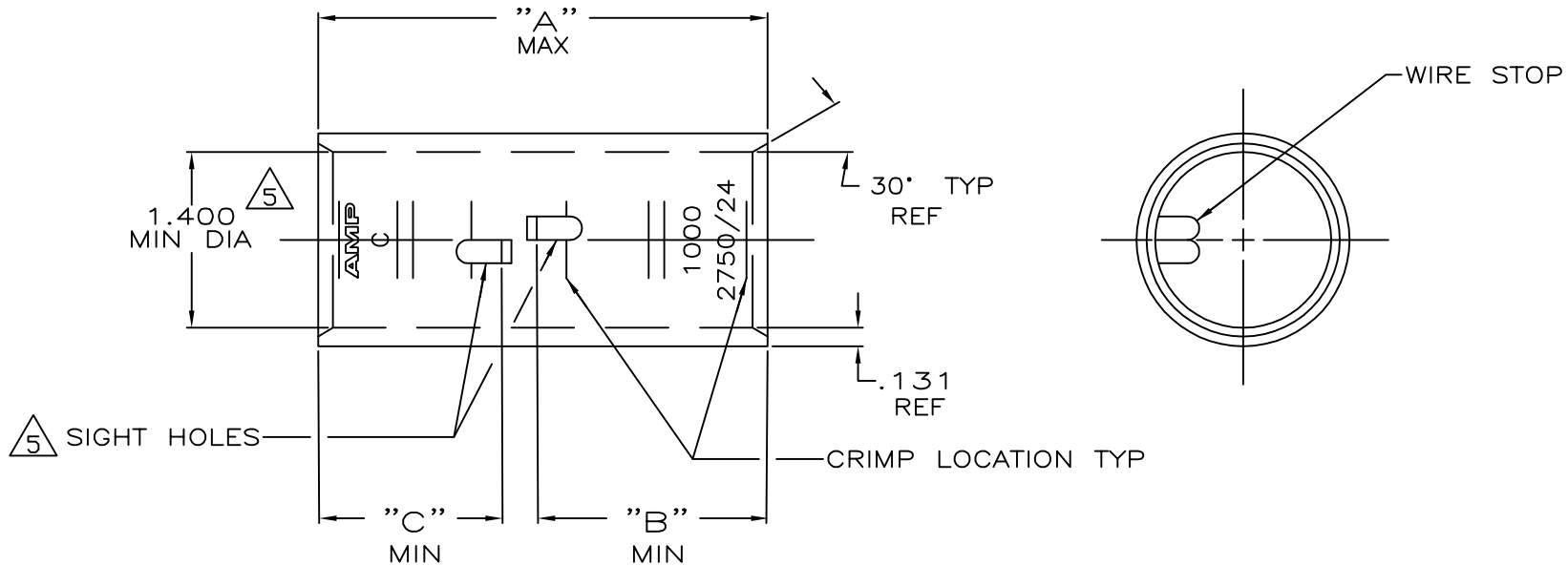
Email & Skype: info@chipsmall.com Web: www.chipsmall.com

Address: A1208, Overseas Decoration Building, #122 Zhenhua RD., Futian, Shenzhen, China



THIS DRAWING IS UNPUBLISHED. RELEASED FOR PUBLICATION
 © COPYRIGHT - By - ALL RIGHTS RESERVED.

LOC	DIST	REVISIONS			
P	LTR	DESCRIPTION	DATE	DWN	APVD
G	86	S	ECR-13-000998	11FEB2013	PK HS



1 TIN PL .000150 MIN THK
 MIL-T 10727

2 WIRE RANGE: 950 - 1125 MCM

3 PART NO: 324471; .665 LB.
 PART NO: 1-324471-0; .665 LB.
 PART NO: 2-324471-1; .743 LB.

4 PREPRODUCTION - FASR REQ.

5 .045 MAX BURR ALLOWED INSIDE THE WIRE
 BARREL ID IN AREA OF SIGHT HOLE.

1.46	1.83	3.64	△	COPPER	△ 2-324471-1
1.46	1.46	3.27	CLEANED	ASTM-B-75	1-324471-0
			△	ANNEALED	324471
"C"	"B"	"A"	FINISH	MATERIAL	PART No

THIS DRAWING IS A CONTROLLED DOCUMENT.

DWN	DK SCHRUM	4/24/89
CHK	MS FEHER	4/24/89
APVD	WJ VOCKROTH	11/8/89
PRODUCT SPEC	NAME	
APPLICATION SPEC	SPLICE, BUTT, AMPOWER	
WEIGHT	WIRE SIZE: 1000 MCM	
FINISH	SIZE	CAGE CODE
SEE TABLE	A3	00779
SEE TABLE	DRAWING NO	
	C=324471	
CUSTOMER DRAWING	RESTRICTED TO	
SCALE 1:1	SHEET 1 OF 1	REV S