



Chipsmall Limited consists of a professional team with an average of over 10 year of expertise in the distribution of electronic components. Based in Hongkong, we have already established firm and mutual-benefit business relationships with customers from,Europe,America and south Asia,supplying obsolete and hard-to-find components to meet their specific needs.

With the principle of “Quality Parts,Customers Priority,Honest Operation,and Considerate Service”,our business mainly focus on the distribution of electronic components. Line cards we deal with include Microchip,ALPS,ROHM,Xilinx,Pulse,ON,Everlight and Freescale. Main products comprise IC,Modules,Potentiometer,IC Socket,Relay,Connector.Our parts cover such applications as commercial,industrial, and automotives areas.

We are looking forward to setting up business relationship with you and hope to provide you with the best service and solution. Let us make a better world for our industry!



## Contact us

Tel: +86-755-8981 8866 Fax: +86-755-8427 6832

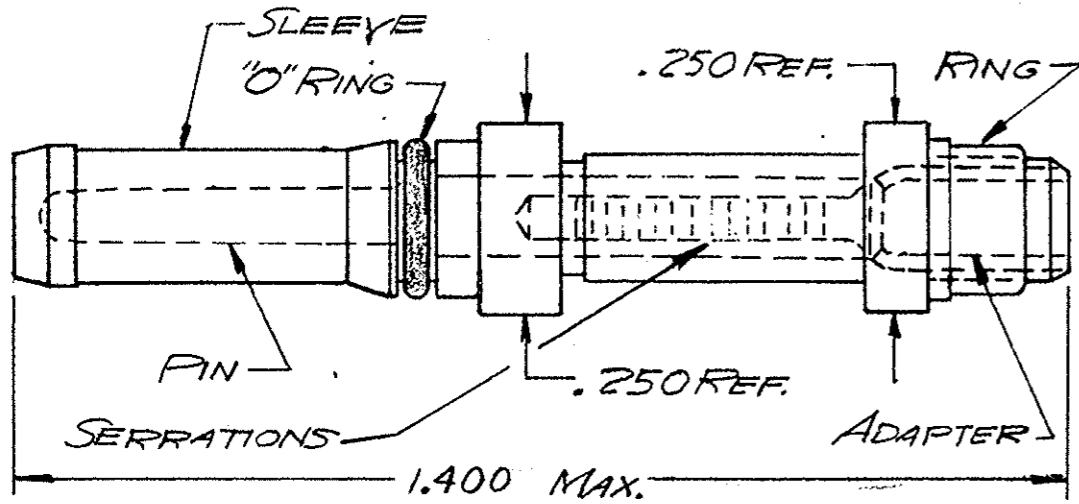
Email & Skype: info@chipsmall.com Web: www.chipsmall.com

Address: A1208, Overseas Decoration Building, #122 Zhenhua RD., Futian, Shenzhen, China



© 1961 BY AMP INCORPORATED. ALL RIGHTS RESERVED. AMP PRODUCTS COVERED BY PATENTS AND/OR PATENTS PENDING.

| REVISIONS |      |                          |         |          |
|-----------|------|--------------------------|---------|----------|
| SYM       | ZONE | DESCRIPTION              | DATE    | APPROVAL |
| B         |      | REDRAWN; ADDED MIL SPECS | 4/15/64 | H.A.S.   |
| C         |      | REVISED PER PC-9644      | 5-26-88 | JFM      |
| D         |      | REV/0610-0031-99         | 3-4-99  | ME/5B    |



1. .054-.094 INSULATION DIA

|          |                         |                             |   |
|----------|-------------------------|-----------------------------|---|
| 1        | 2-327834-1              | SLEEVE                      | NYLON (MIL-M-20693) COLOR: <u>TRANSPARENT</u>   |
|          |                         | ADAPTER                     | NATURAL   |
|          |                         | "O" RING                    | RUBBER  |
|          |                         | RING                        | COPPER (ASTM B 152) TIN PL (ASTM B 545) TYPE I COLOR: GREEN   |
|          |                         | PIN                         | BRASS (ASTM B121) GOLD PL (MIL-G-45204) TYPE II.000050 MIN EXT THK OVER NICKEL PL (QQ-N-290).000030 MIN. EXT. THK |
| QTY REQD | PART OR IDENTIFYING NO. | NOMENCLATURE OR DESCRIPTION | MATERIAL AND FINISH   |

LIST OF MATERIALS OR PARTS LIST

|   |                    |                |                     |                         |  |
|---|--------------------|----------------|---------------------|-------------------------|--|
| UNLESS OTHERWISE SPECIFIED DIMENSIONS ARE IN INCHES TOLERANCES ON |                    | SIGNATURE      | DATE                | <b>AMP</b><br>TRADEMARK | AMP INCORPORATED<br>HARRISBURG, PENNSYLVANIA |
| FRACTIONS<br>± 1/64   | DECIMALS<br>± .008 | ANGLES<br>± 5° | OR<br>X.H. Wolfe    |                         |  |
| MATERIAL<br>SEE TABLE   |                    |                | CHK<br>H.A. Sattler | 4/15/64                 | NAME<br>SEALED HELICON DISCONNECT PIN        |
| HEAT TREAT<br>H   |                    |                | APPD<br>Bell        | 6/16/64                 | WIRE SIZE: 22-20                             |
| FINISH<br>SEE TABLE   |                    |                | DSGN ENGR           | DSGN APPD               | CODE IDENT NO<br><b>00779</b>                |
| AMP INFO<br>LOC: G PRINT: 14 C DIST: C                            |                    |                | OTHER APPD          | SIZE<br><b>B</b>        | NUMBER<br><b>327834</b>                      |
|   |                    |                | SCALE 4-1           |                         | WT .046 <sup>calc</sup> ACTUAL SHEET 1 OF 1  |