



Chipsmall Limited consists of a professional team with an average of over 10 year of expertise in the distribution of electronic components. Based in Hongkong, we have already established firm and mutual-benefit business relationships with customers from,Europe,America and south Asia,supplying obsolete and hard-to-find components to meet their specific needs.

With the principle of "Quality Parts,Customers Priority,Honest Operation,and Considerate Service",our business mainly focus on the distribution of electronic components. Line cards we deal with include Microchip,ALPS,ROHM,Xilinx,Pulse,ON,Everlight and Freescale. Main products comprise IC,Modules,Potentiometer,IC Socket,Relay,Connector.Our parts cover such applications as commercial,industrial, and automotives areas.

We are looking forward to setting up business relationship with you and hope to provide you with the best service and solution. Let us make a better world for our industry!



## Contact us

Tel: +86-755-8981 8866 Fax: +86-755-8427 6832

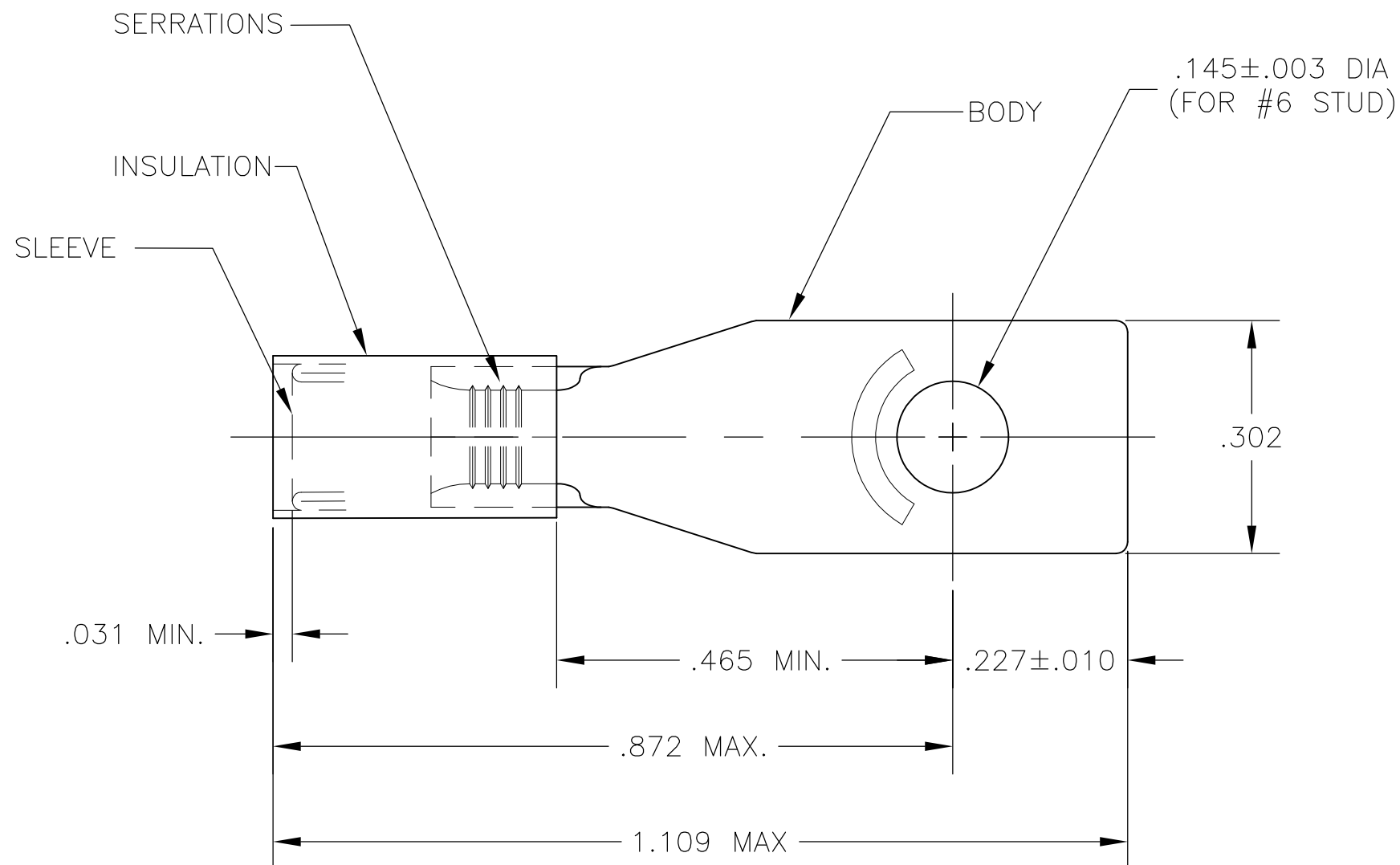
Email & Skype: info@chipsmall.com Web: www.chipsmall.com

Address: A1208, Overseas Decoration Building, #122 Zhenhua RD., Futian, Shenzhen, China



THIS DRAWING IS UNPUBLISHED. RELEASED FOR PUBLICATION  
© COPYRIGHT BY TYCO ELECTRONICS CORPORATION. ALL INTERNATIONAL RIGHTS RESERVED.

LOC	DIST	REVISIONS					
G	02	P	LTR	DESCRIPTION	DATE	DWN	APVD
			J2	REVISED PER ECR-09-025663	04DEC09	JR	TM



- 1 WIRE INSULATION DIA = .105 TO .140
- 2 TONGUE MATERIAL THK. = .031±.002
- 3 MARKING 22-18 FOR MILITARY COMMERCIAL RANGE 22-16
- △4 FINISH: TIN PLATE (MIL-T-10727) .000100 MIN THK.
- △5 INSULATION PVC-RED
- △6 INSULATION NYLON MIL-M-20693 TYPE I RED
- △7 SUPERSEDED BY 2-327938-1
- △8 MEETS MS17143-4, CLASS 1 & 2
- △9 MEETS MS17143-4, CLASS 2

OBSOLETE	△4	△6	100	ON TAPE, SM BOX	2-327938-5	
OBSOLETE	△4	△6	1000	ON TAPE, LG BOX	2-327938-4	
	△7	△4	△6	5000	ON TAPE, REEL	△9 2-327938-2
		△4	△6	-	LOOSE PIECE	△8 2-327938-1
OBSOLETE	△4	△5	-	LOOSE PIECE	327938	
		BODY FINISH	INSUL. MATL.	QTY	DESCRIPTION	PART NO

THIS DRAWING IS A CONTROLLED DOCUMENT.		DWN RAGHAVENDRA 09JUN08	Tyco Electronics Corporation Harrisburg, PA 17105-3608					
DIMENSIONS: INCHES		CHK T MICHIELUTTI 09JUN08	NAME TERMINAL, PIDG, RECTANGULAR TONGUE WIRE SIZE : 22-16					
TOLERANCES UNLESS OTHERWISE SPECIFIED:		APVD T MICHIELUTTI 09JUN08	PRODUCT SPEC		SIZE	CAGE CODE	DRAWING NO	RESTRICTED TO
0 PLC ± -			APPLICATION SPEC		A3	00779	G-327938	-
1 PLC ± -			WEIGHT		CUSTOMER DRAWING			SCALE 5:1
2 PLC ± -								SHEET 1 OF 1
3 PLC ± .008								REV J2
4 PLC ± -								
ANGLES ± -								
MATERIAL SEE TABLE		FINISH SEE TEBLE						