



Chipsmall Limited consists of a professional team with an average of over 10 year of expertise in the distribution of electronic components. Based in Hongkong, we have already established firm and mutual-benefit business relationships with customers from,Europe,America and south Asia,supplying obsolete and hard-to-find components to meet their specific needs.

With the principle of "Quality Parts,Customers Priority,Honest Operation,and Considerate Service",our business mainly focus on the distribution of electronic components. Line cards we deal with include Microchip,ALPS,ROHM,Xilinx,Pulse,ON,Everlight and Freescale. Main products comprise IC,Modules,Potentiometer,IC Socket,Relay,Connector.Our parts cover such applications as commercial,industrial, and automotives areas.

We are looking forward to setting up business relationship with you and hope to provide you with the best service and solution. Let us make a better world for our industry!



Contact us

Tel: +86-755-8981 8866 Fax: +86-755-8427 6832

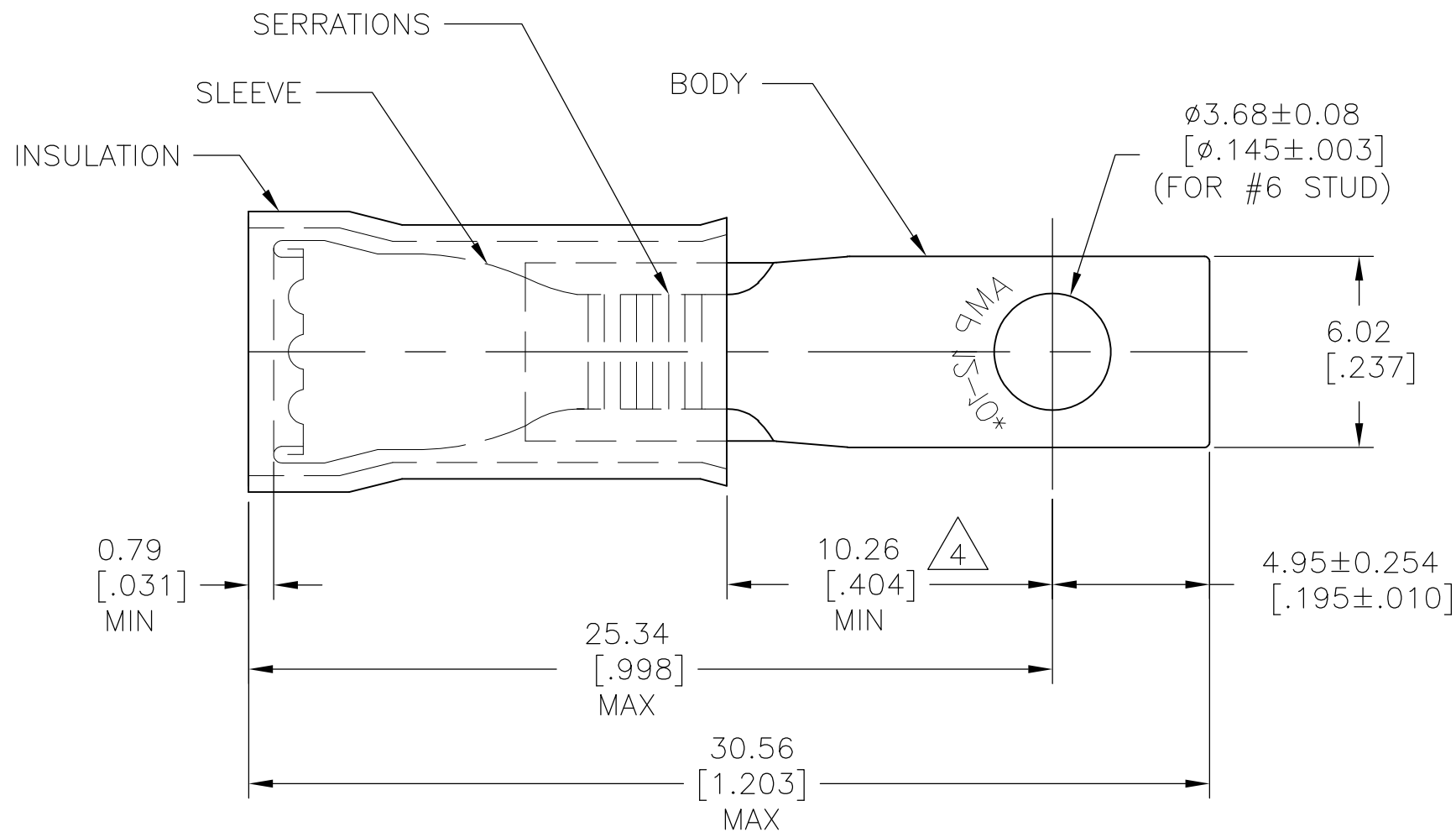
Email & Skype: info@chipsmall.com Web: www.chipsmall.com

Address: A1208, Overseas Decoration Building, #122 Zhenhua RD., Futian, Shenzhen, China



THIS DRAWING IS UNPUBLISHED. RELEASED FOR PUBLICATION
 © COPYRIGHT - By - ALL RIGHTS RESERVED.

LOC	DIST	REVISIONS					
G	14	P	LTR	DESCRIPTION	DATE	DWN	APVD
			K3	REVISED PER ECO-11-004917	11MAR11	RK	HMR



- 1 TONGUE MATERIAL THK: 1.02 ± 0.05 [.040 ± .002]
- 2 FOR 3.81 [.150] TO 5.84 [.230] WIRE INSULATION DIA
- 3 SUPERSEDED BY 2-327960-1
- 4 APPLIES FROM THE METAL EDGE OF THE BARREL TO THE CENTER OF THE STUD
- 5 MEETS MS17143-15, CLASS 1 & 2
- 6 MEETS MS17143-15, CLASS 2

QTY	DESCRIPTION	MATERIAL & FINISH	PART NO
1	ON TAPE	BODY & SLEEVE: COPPER (ASTM-B152) TIN PL (ASTM-B545)	6 2-327960-2
OBSOLETE	1 2-327960-1 ON TAPE	INSULATION: NYLON (ASTM-D4066) TYPE 1 COLOR: YELLOW	2-327960-3
1	WIRE TERMINAL		5 2-327960-1
1	WIRE TERMINAL	BODY: COPPER (ASTM-B152) TIN PL (ASTM-B545) SLEEVE: COPPER (ASTM-B152) INSULATION: PVC COLOR: YELLOW	3 327960

THIS DRAWING IS A CONTROLLED DOCUMENT.		DWN RAGHAVENDRA 01SEP09	STE TE Connectivity															
DIMENSIONS: mm [INCHES]		CHK JEFF RUTH 01SEP09																
TOLERANCES UNLESS OTHERWISE SPECIFIED:		APVD TOM MICHIELUTTI 01SEP09	NAME WIRE TERMINAL PIDG - RECTANGULAR TONGUE WIRE SIZE: 12-10															
<table border="0"> <tr><td>0 PLC</td><td>± -</td></tr> <tr><td>1 PLC</td><td>± -</td></tr> <tr><td>2 PLC</td><td>± -</td></tr> <tr><td>3 PLC</td><td>± 0.20 [.008]</td></tr> <tr><td>4 PLC</td><td>± -</td></tr> <tr><td>ANGLES</td><td>± 5°</td></tr> </table>		0 PLC	± -	1 PLC	± -	2 PLC	± -	3 PLC	± 0.20 [.008]	4 PLC	± -	ANGLES	± 5°	PRODUCT SPEC -	SIZE	CAGE CODE	DRAWING NO	RESTRICTED TO
0 PLC	± -																	
1 PLC	± -																	
2 PLC	± -																	
3 PLC	± 0.20 [.008]																	
4 PLC	± -																	
ANGLES	± 5°																	
MATERIAL SEE TABLE		FINISH SEE TABLE	WEIGHT -	A300779	C-327960	-												
CUSTOMER DRAWING			SCALE 5:1	SHEET 1 OF 1	REV K3													