



Chipsmall Limited consists of a professional team with an average of over 10 year of expertise in the distribution of electronic components. Based in Hongkong, we have already established firm and mutual-benefit business relationships with customers from,Europe,America and south Asia,supplying obsolete and hard-to-find components to meet their specific needs.

With the principle of “Quality Parts,Customers Priority,Honest Operation,and Considerate Service”,our business mainly focus on the distribution of electronic components. Line cards we deal with include Microchip,ALPS,ROHM,Xilinx,Pulse,ON,Everlight and Freescale. Main products comprise IC,Modules,Potentiometer,IC Socket,Relay,Connector.Our parts cover such applications as commercial,industrial, and automotives areas.

We are looking forward to setting up business relationship with you and hope to provide you with the best service and solution. Let us make a better world for our industry!



## Contact us

Tel: +86-755-8981 8866 Fax: +86-755-8427 6832

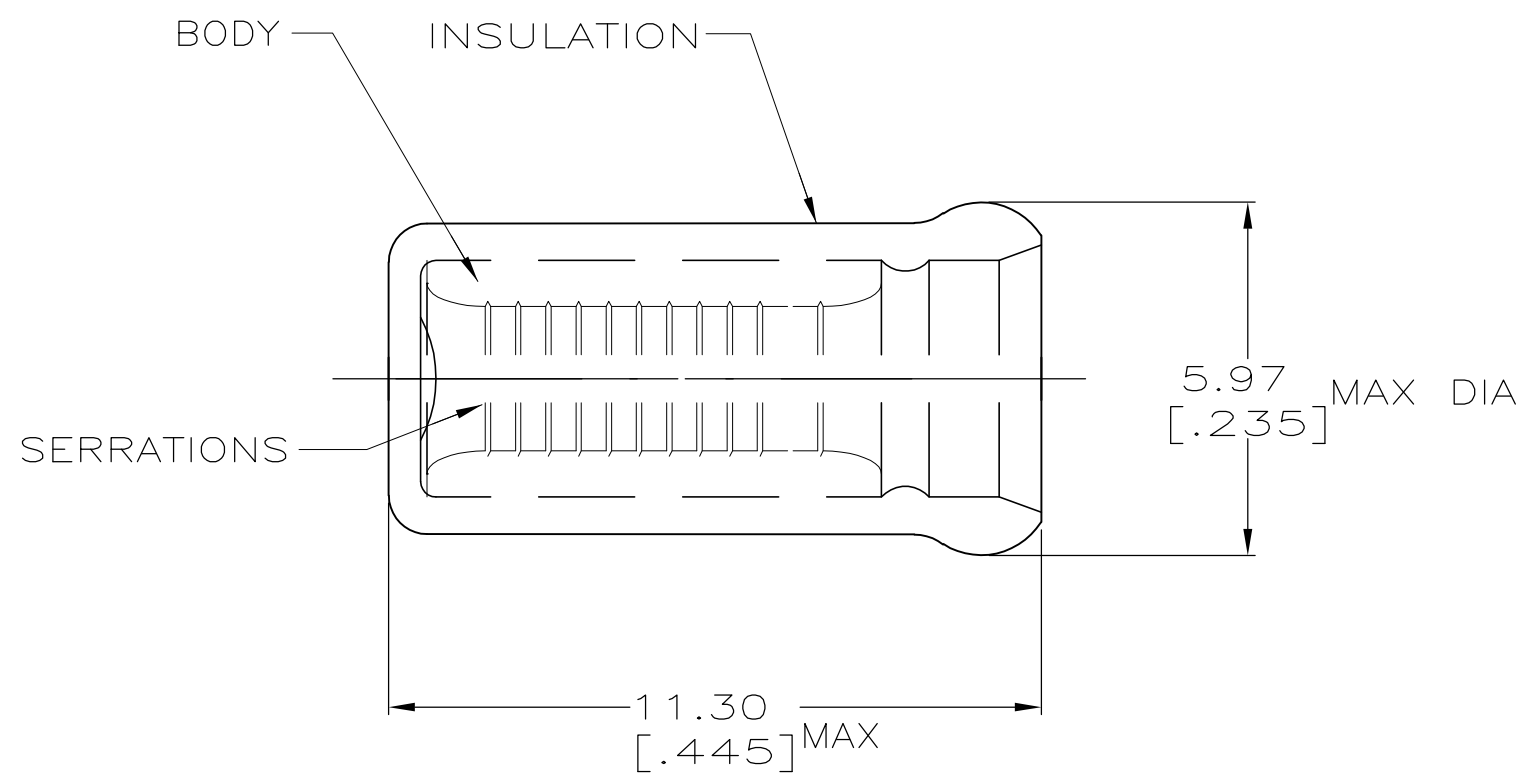
Email & Skype: info@chipsmall.com Web: www.chipsmall.com

Address: A1208, Overseas Decoration Building, #122 Zhenhua RD., Futian, Shenzhen, China



THIS DRAWING IS UNPUBLISHED. RELEASED FOR PUBLICATION  
 © COPYRIGHT - By - ALL RIGHTS RESERVED.

LOC	DIST	REVISIONS			
P	LTR	DESCRIPTION	DATE	DWN	APVD
G	14	H1	REVISED PER ECO-11-004917	11MAR11	RK HMR



- USE FOR STRIPPED (SINGLE) WIRE END ONLY
- WIRE INSUL DIA, 3.78 [.149] MAX

MILITARY P/N & CLASS	QTY	PACKAGE TYPE	PART NO
-	100	LOOSE PIECE, BOX	8-328308-1
MS25274/3 CLASS 2	2500	ON TAPE, REEL	2-328308-1
MS25274/3 CLASS 1 & 2	1000	LOOSE PIECE	328308

**AMP INCORPORATED  
 CUSTOMER SERVICE SYSTEM**

FOR ADDITIONAL PRODUCT INFORMATION OR COPIES OF DRAWINGS AND TECHNICAL DOCUMENTS: PRODUCT INFORMATION CENTER 1-800-522-6752

FOR APPLICATION TOOLING INFORMATION: TOOLING ASSISTANCE CENTER 1-800-722-1111

FOR ORDER ENTRY: 1-800-526-5142

MAX RECOMMENDED OPERATING TEMPERATURE:  
 105° C [221° F]

VOLTAGE RATING:  
 -

CIRCULAR MIL AREA:  
 1.04mm<sup>2</sup> - 2.62mm<sup>2</sup>  
 [2,050 - 5,180]

THIS DRAWING IS A CONTROLLED DOCUMENT.

DIMENSIONS: mm [in]

TOLERANCES UNLESS OTHERWISE SPECIFIED:

0 PLC	± -
1 PLC	± -
2 PLC	± 0.20 [.008]
3 PLC	± -
4 PLC	± -
ANGLES	± -

MATERIAL: BODY, CU PER ASTM B152; INSUL, NYLON, COLOR, BLUE; FINISH: BODY, TIN PLATE PER MIL-T-10727

DWN L OLMEDA 21MAR96  
 CHK M ELLIS 21MAR96  
 APVD K FERREK 21MAR96

**STE** TE Connectivity

NAME: SPARE WIRE CAP, WIRE SIZE, 16-14 AWG

SIZE: A3; CAGE CODE: 00779; DRAWING NO: C-328308; RESTRICTED TO: -

SCALE: 8:1; SHEET: 1 OF 1; REV: H1

CUSTOMER DRAWING