



Chipsmall Limited consists of a professional team with an average of over 10 year of expertise in the distribution of electronic components. Based in Hongkong, we have already established firm and mutual-benefit business relationships with customers from,Europe,America and south Asia,supplying obsolete and hard-to-find components to meet their specific needs.

With the principle of "Quality Parts,Customers Priority,Honest Operation,and Considerate Service",our business mainly focus on the distribution of electronic components. Line cards we deal with include Microchip,ALPS,ROHM,Xilinx,Pulse,ON,Everlight and Freescale. Main products comprise IC,Modules,Potentiometer,IC Socket,Relay,Connector.Our parts cover such applications as commercial,industrial, and automotives areas.

We are looking forward to setting up business relationship with you and hope to provide you with the best service and solution. Let us make a better world for our industry!



Contact us

Tel: +86-755-8981 8866 Fax: +86-755-8427 6832

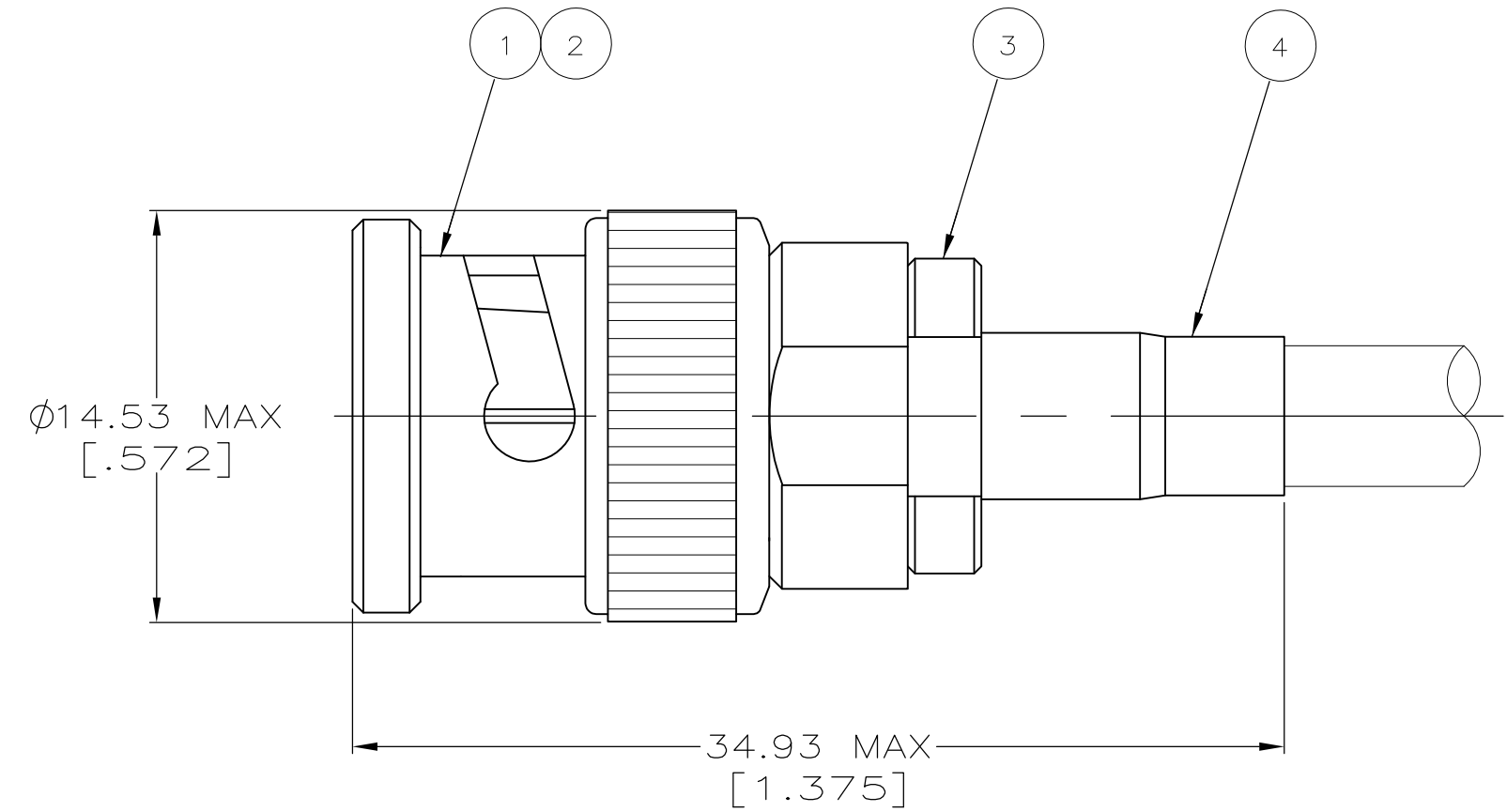
Email & Skype: info@chipsmall.com Web: www.chipsmall.com

Address: A1208, Overseas Decoration Building, #122 Zhenhua RD., Futian, Shenzhen, China

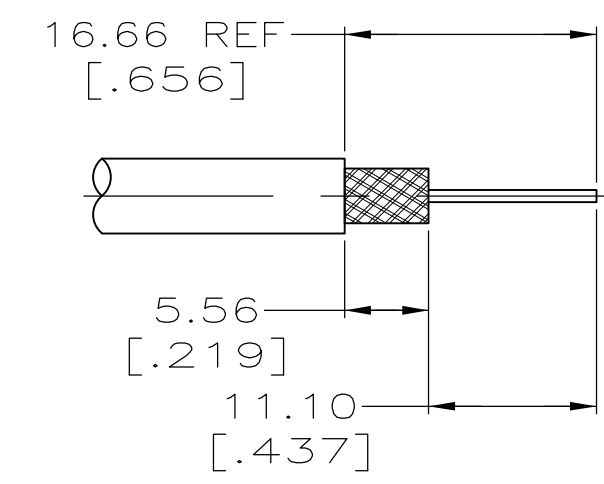


THIS DRAWING IS UNPUBLISHED. RELEASED FOR PUBLICATION
 © COPYRIGHT - By - ALL RIGHTS RESERVED.

LOC	DIST	REVISIONS			
P	LTR	DESCRIPTION	DATE	DWN	APVD
AJ	16	H1	REVISED PER ECO-11-005030	23MAR11	RK HMR



- 1. USE INSTRUCTION SHEET 1799-1
- ② USE CRIMP TOOL 69140-1 WITH CABLE RG-58/U, 58A/U, 58B/U, 58C/U
- ③ USE CRIMP TOOL 69140-2 WITH CABLE RG-55/U, 55A/U, 55B/U AND 223/U



RECOMMENDED STRIP LENGTH
SCALE 2:1

OBSOLETE	-	-	-	-	7-329444-1
③	329099	50780-1	2-329106-1	329804	2-329444-2
②	328663	50780-1	2-329106-1	329804	2-329444-1
SUPERSEDED BY 2-329444-1					
④	FERRULE QTY=1	③	CRIMP END ASSEMBLY QTY=1	②	GASKET QTY=1
				①	PLUG ASSEMBLY QTY=1
					PART NUMBER

THIS DRAWING IS A CONTROLLED DOCUMENT.

DIMENSIONS: mm [INCHES]	TOLERANCES UNLESS OTHERWISE SPECIFIED:	DWN MICHAEL E. COWHER 06FEB96	TE Connectivity NAME PLUG, BNC
	0 PLC ± -	CHK FRANK P. MORANA 15FEB96	
	1 PLC ± -	APVD FRANK P. MORANA 15FEB96	
MATERIAL	FINISH	PRODUCT SPEC	

APPLICATION SPEC	SIZE	CAGE CODE	DRAWING NO	RESTRICTED TO
			A3 00779 C-329444	
CUSTOMER DRAWING			SCALE 4:1	SHEET 1 OF 1
			REV H1	