



Chipsmall Limited consists of a professional team with an average of over 10 year of expertise in the distribution of electronic components. Based in Hongkong, we have already established firm and mutual-benefit business relationships with customers from,Europe,America and south Asia,supplying obsolete and hard-to-find components to meet their specific needs.

With the principle of “Quality Parts,Customers Priority,Honest Operation,and Considerate Service”,our business mainly focus on the distribution of electronic components. Line cards we deal with include Microchip,ALPS,ROHM,Xilinx,Pulse,ON,Everlight and Freescale. Main products comprise IC,Modules,Potentiometer,IC Socket,Relay,Connector.Our parts cover such applications as commercial,industrial, and automotives areas.

We are looking forward to setting up business relationship with you and hope to provide you with the best service and solution. Let us make a better world for our industry!



## Contact us

Tel: +86-755-8981 8866 Fax: +86-755-8427 6832

Email & Skype: info@chipsmall.com Web: www.chipsmall.com

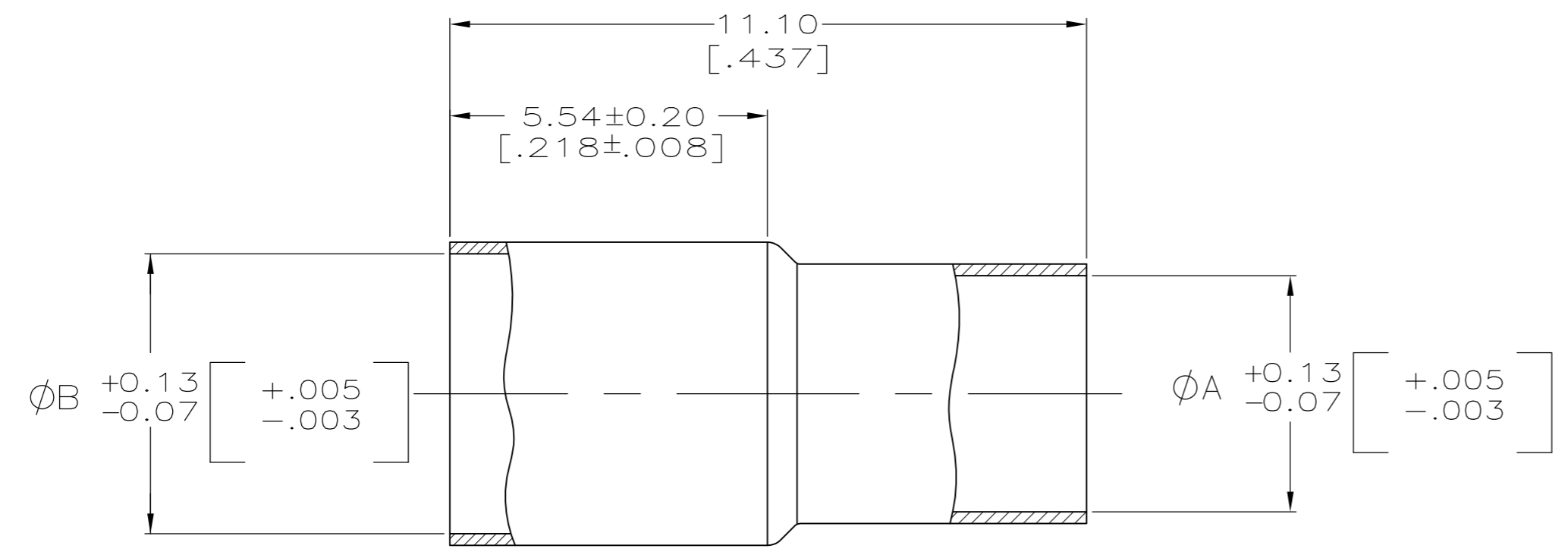
Address: A1208, Overseas Decoration Building, #122 Zhenhua RD., Futian, Shenzhen, China



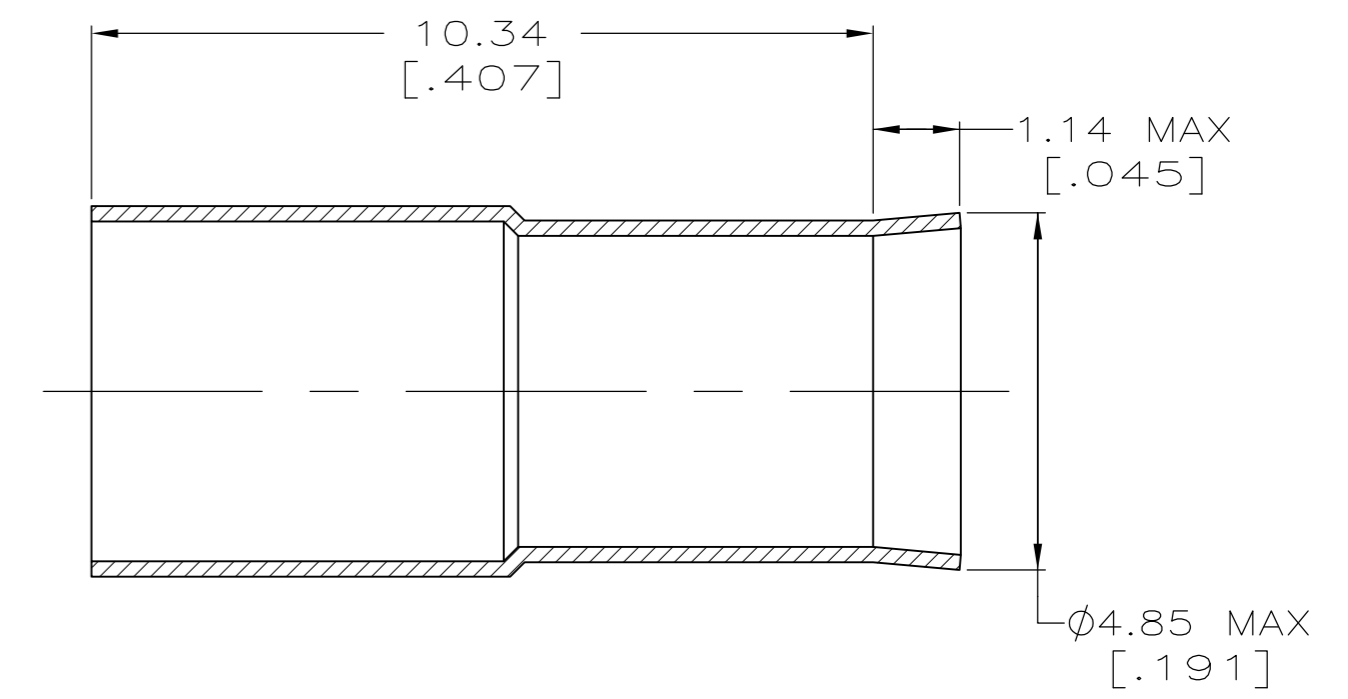
THIS DRAWING IS UNPUBLISHED. RELEASED FOR PUBLICATION  
 © COPYRIGHT BY TYCO ELECTRONICS CORPORATION. ALL RIGHTS RESERVED.

LOC	DIST	REVISIONS					
AJ	16	P	LTR	DESCRIPTION	DATE	DWN	APVD
		AK		REVISED PER ECO-10-008433	21MAY10	HMR	KW

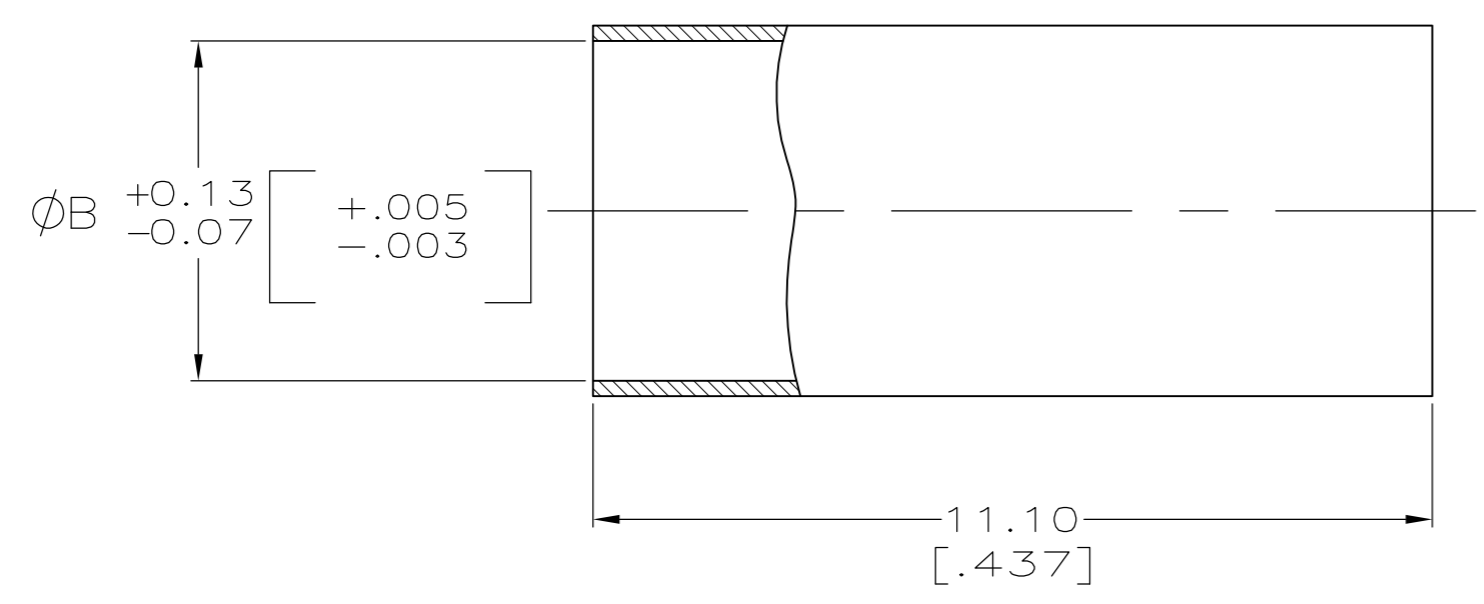
- 1. COPPER ALLOY
- 2. 5.08 μm [.000200] MINIMUM THICK SILVER PLATE PER QQ-S-365
- 3. 2.54 μm [.000100] MINIMUM THICK TIN-LEAD PLATE PER ASTM-B-545, WITH SUPPLEMENTAL ANTI FRETTING LUBRICANT.
- 4. 2.54 μm [.000100] MINIMUM THICK MATTE TIN PLATE, WITH SUPPLEMENTAL ANTI FRETTING LUBRICANT.



VIEW C



VIEW Z  
SAME AS VIEW C EXCEPT AS SHOWN



VIEW D

SUPERCEDED BY 9-329461-0	D	4.50 [.177]	-	4	9-329461-2
	Z	4.50 [.177]	4.11 [.162]	4	9-329461-1
OBSOLETE	Z	4.50 [.177]	4.11 [.162]	4	9-329461-0
	D	4.50 [.177]	-	3	3-329461-3
OBSOLETE	C	4.88 [.192]	4.22 [.166]	3	2-329461-9
	Z	4.50 [.177]	4.11 [.162]	4	2-329461-7
OBSOLETE	C	4.88 [.192]	4.22 [.166]	2	2-329461-6
OBSOLETE	D	4.50 [.177]	-	2	2-329461-2
	Z	4.50 [.177]	4.11 [.162]	2	329461
	VIEW	B	A	FINISH	PART NUMBER

THIS DRAWING IS A CONTROLLED DOCUMENT.		DWN	J. L. GROFT	9-24-90	Tyco Electronics Corporation Harrisburg, PA, 17105-3608	
DIMENSIONS: MM [INCHES]		CHK	M. SNEED	1-30-91		
TOLERANCES UNLESS OTHERWISE SPECIFIED:		APVD	R. HENRY	1-30-91		
0 PLC ± - 1 PLC ± - 2 PLC ± 0.38 [.015] 3 PLC ± - 4 PLC ± - ANGLES ± -		PRODUCT SPEC	-			
MATERIAL SEE NOTES		FINISH	SEE NOTES		NAME	FERRULE
		WEIGHT	-		SIZE	A2
		CUSTOMER DRAWING			CAGE CODE	00779
					DRAWING NO	C=329461
					RESTRICTED TO	-
					SCALE	10:1
					SHEET	1 OF 1
					REV	AK

329461