



Chipsmall Limited consists of a professional team with an average of over 10 year of expertise in the distribution of electronic components. Based in Hongkong, we have already established firm and mutual-benefit business relationships with customers from,Europe,America and south Asia,supplying obsolete and hard-to-find components to meet their specific needs.

With the principle of “Quality Parts,Customers Priority,Honest Operation,and Considerate Service”,our business mainly focus on the distribution of electronic components. Line cards we deal with include Microchip,ALPS,ROHM,Xilinx,Pulse,ON,Everlight and Freescale. Main products comprise IC,Modules,Potentiometer,IC Socket,Relay,Connector.Our parts cover such applications as commercial,industrial, and automotives areas.

We are looking forward to setting up business relationship with you and hope to provide you with the best service and solution. Let us make a better world for our industry!



Contact us

Tel: +86-755-8981 8866 Fax: +86-755-8427 6832

Email & Skype: info@chipsmall.com Web: www.chipsmall.com

Address: A1208, Overseas Decoration Building, #122 Zhenhua RD., Futian, Shenzhen, China



End Cap Terminals

Large Size Single Face

Material:

Unplated copper

Related Product Data:

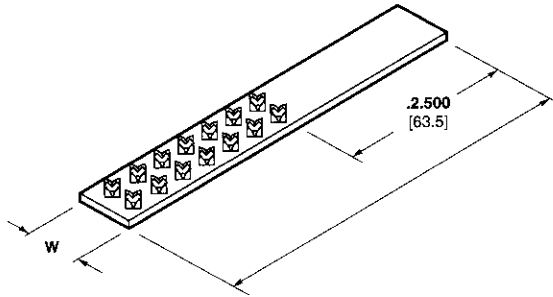
Application Tooling — page 9

Technical Documents — page 1

Tooling:

Power Unit* with Head **69099** and Die **69479-1**

*Refer to page 9 for specifications accessories.



Aluminum Foil Thickness Range Max.	Terminal CMA at C-C	Dimensions		Part Number
		W	L	
.080 2.03	178,220	2.000 50.8	6.000 152.4	50854
.080 2.03	89,110	1.000 25.4	6.000 152.4	50855

Large Size Double Face

Related Product Data:

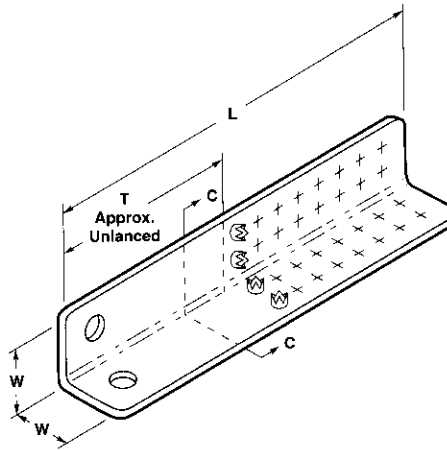
Application Tooling — page 9

Technical Documents — page 1

Tooling:

Power Unit* with Head **69099** and Die **69479-1**

*Refer to page 9 for specifications accessories.



Nomo-graph Terminal Size*	Aluminum Foil Thickness Max**	Terminal CMA at C-C	Stud Size	Material and Finish	Dimensions			Part Numbers	
					W	L	T	With Stud Hole	Without Stud Hole
1	.020 0.51	45,828	5/16 M6	Tin-Plated Copper	1.000	6.000	3.000	329488	—
					25.4	152.4	76.2		
2	.035 0.89	77,653	3/8	Tin-Plated Copper	1.000	9.000	3.000	2-329489-1	—
					25.4	228.6	76.2		
2	.035 0.89	77,653	3/8	Unplated Copper	1.000	6.000	3.000	—	3-329489-7***
					25.4	152.4	76.2		
3	.045 1.14	143,212	7/16	Tin-Plated Copper	1.250	6.000	3.000	329490	—
					31.75	152.4	76.2		
					1.250	9.000	3.000		
31.75	228.6	76.2							
4	.060 1.52	217,683	1/2 M12	Tin-Plated Copper	1.500	12.000	3.000	2-329491-2	—
					38.1	304.8	76.2		
					1.500	15.000	3.000		
38.1	381	76.2							

*See nomograph on page 8.

**Maximum aluminum foil thickness for lance penetration.

***Unplated at "T" dimension.