



Chipsmall Limited consists of a professional team with an average of over 10 year of expertise in the distribution of electronic components. Based in Hongkong, we have already established firm and mutual-benefit business relationships with customers from,Europe,America and south Asia,supplying obsolete and hard-to-find components to meet their specific needs.

With the principle of “Quality Parts,Customers Priority,Honest Operation,and Considerate Service”,our business mainly focus on the distribution of electronic components. Line cards we deal with include Microchip,ALPS,ROHM,Xilinx,Pulse,ON,Everlight and Freescale. Main products comprise IC,Modules,Potentiometer,IC Socket,Relay,Connector.Our parts cover such applications as commercial,industrial, and automotives areas.

We are looking forward to setting up business relationship with you and hope to provide you with the best service and solution. Let us make a better world for our industry!



Contact us

Tel: +86-755-8981 8866 Fax: +86-755-8427 6832

Email & Skype: info@chipsmall.com Web: www.chipsmall.com

Address: A1208, Overseas Decoration Building, #122 Zhenhua RD., Futian, Shenzhen, China



THIS DRAWING IS UNPUBLISHED.

RELEASED FOR PUBLICATION

-. -. .

LOC DIST
AJ 54

REVISIONS

© COPYRIGHT - By - ALL RIGHTS RESERVED.

P	LTR	DESCRIPTION	DATE	DWN	APVD
	F	ECO-14-014419	24SEP2014	RZ	MY

NOTES:

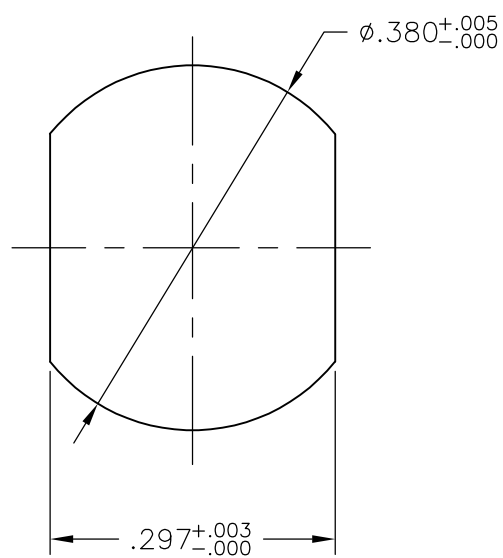
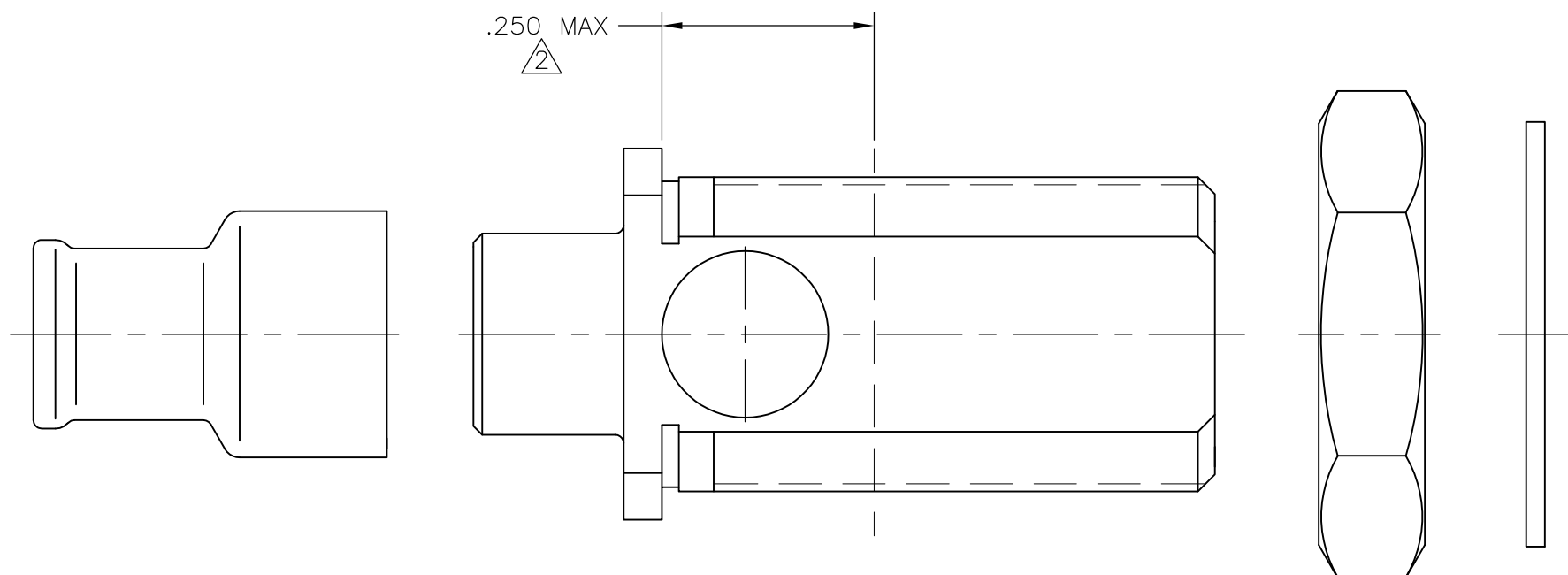
1. PARTS PACKAGED UNASSEMBLED

△ .250 MAX PANEL THICKNESS

3. MATERIAL AND FINISH:


BODY: BRASS, SILVER PLATING
 CENTER CONTACT: BERYLLIUM COPPER, GOLD PLATING
 DIELECTRIC: POLYPROPYLENE
 NUT: BRASS, SILVER PLATING
 LOCK WASHER: STAINLESS STEEL, SILVER PLATING
 FERRULE: BRASS, SILVER PLATING

4. FOR USE WITH MICRODOT 2-3932 & 2-3934 CABLE



RECOMMENDED
PANEL CUTOUT

2-329940-1
 PART NUMBER

THIS DRAWING IS A CONTROLLED DOCUMENT.		DWN RITA ZUO 24SEP2014	 TE Connectivity														
DIMENSIONS: INCHES		CHK ANSON MA 24SEP2014				NAME											
TOLERANCES UNLESS OTHERWISE SPECIFIED:		APVD MARTIN YE 24SEP2014	CONNECTOR, COAXIAL, R.F. TWIN THREADED SERIES RECEPTACLE														
<table border="0"> <tr><td>0 PLC</td><td>± -</td></tr> <tr><td>1 PLC</td><td>± -</td></tr> <tr><td>2 PLC</td><td>± -</td></tr> <tr><td>3 PLC</td><td>± -</td></tr> <tr><td>4 PLC</td><td>± -</td></tr> <tr><td>ANGLES</td><td>± -</td></tr> </table>		0 PLC	± -	1 PLC	± -	2 PLC	± -	3 PLC	± -	4 PLC	± -	ANGLES	± -	PRODUCT SPEC -	RESTRICTED TO		
0 PLC	± -																
1 PLC	± -																
2 PLC	± -																
3 PLC	± -																
4 PLC	± -																
ANGLES	± -																
MATERIAL -		FINISH -	APPLICATION SPEC 408-1833	SIZE A3	CAGE CODE 00779	DRAWING NO C-329940											
CUSTOMER DRAWING			WEIGHT -	SCALE 5:1	SHEET 1 OF 1	REV F											