



Chipsmall Limited consists of a professional team with an average of over 10 year of expertise in the distribution of electronic components. Based in Hongkong, we have already established firm and mutual-benefit business relationships with customers from,Europe,America and south Asia,supplying obsolete and hard-to-find components to meet their specific needs.

With the principle of “Quality Parts,Customers Priority,Honest Operation,and Considerate Service”,our business mainly focus on the distribution of electronic components. Line cards we deal with include Microchip,ALPS,ROHM,Xilinx,Pulse,ON,Everlight and Freescale. Main products comprise IC,Modules,Potentiometer,IC Socket,Relay,Connector.Our parts cover such applications as commercial,industrial, and automotives areas.

We are looking forward to setting up business relationship with you and hope to provide you with the best service and solution. Let us make a better world for our industry!



Contact us

Tel: +86-755-8981 8866 Fax: +86-755-8427 6832

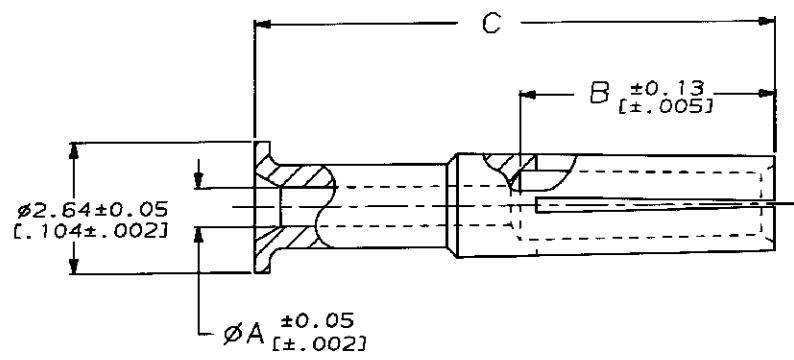
Email & Skype: info@chipsmall.com Web: www.chipsmall.com

Address: A1208, Overseas Decoration Building, #122 Zhenhua RD., Futian, Shenzhen, China

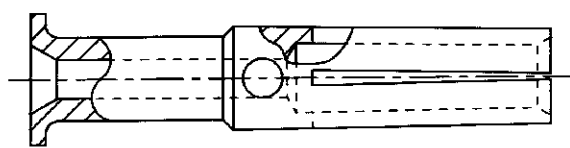


DRAWING MADE IN THIRD ANGLE PROJECTION
 THIS DRAWING IS UNPUBLISHED. RELEASED FOR PUBLICATION .19
 © COPYRIGHT 19 BY AMP INCORPORATED. ALL INTERNATIONAL RIGHTS RESERVED.

LOC	DIST	P	F	ZONE	LTR	REVISIONS	DATE	APPD
AJ	16				F	REDWN, REV & ADD 3--9 PER AJ-4560	2-8-91	BAS



VIEW X



VIEW Y
 SAME AS VIEW X
 EXCEPT AS SHOWN

- ① BERYLLIUM COPPER PER QQ-C-530
- ② GOLD PLATE PER MIL-G-45204
1.27µm [0.000050] MINIMUM THICK
- ③ GOLD PLATE PER MIL-G-45204
0.75µm [0.000030] MINIMUM THICK
- ④ GOLD PLATE PER MIL-G-45204
2.54µm [0.000100] MINIMUM THICK
- ⑤ SILVER PLATE PER QQ-S-365
2.54µm [0.000100] MINIMUM THICK

VIEW	FINISH	C	B	A	PART NUMBER
Y	④	10.39 [.409]	5.08 [.200]	0.79 [.031]	3-331368-9
Y	⑤	10.39 [.409]	5.08 [.200]	0.79 [.031]	3-331368-8
X	③	10.39 [.409]	5.84 [.230]	0.36 [.014]	2-331368-4
Y	③	10.39 [.409]	5.08 [.200]	0.46 [.018]	2-331368-3
X	④	10.39 [.409]	5.08 [.200]	0.46 [.018]	2-331368-2
X	③	10.69 [.421]	5.08 [.200]	0.89 [.035]	2-331368-1
X	③	11.73 [.462]	5.08 [.200]	0.61 [.024]	1-331368-6
X	③	10.39 [.409]	5.08 [.200]	0.46 [.018]	1-331368-4
X	③	10.39 [.409]	5.08 [.200]	0.61 [.024]	1-331368-2
Y	④	10.39 [.409]	5.08 [.200]	0.79 [.031]	331368

DO NOT SCALE PRINT. UNLESS SPECIFIED DIMENSIONS IN mm (INCHES) TOLERANCES ON: 2 PLC DEC ± 0.20 (.008) 3 PLC DEC ± - ANGLES ± -	DR 2-8-91 B. SCOTT	AMP AMP Incorporated Harrisburg, PA 17105-3608	
	CHK 3-20-91 J. LIPPERT		
MATERIAL ①	APPD 4-3-91 M. PHILLIPS	NAME CONTACT, RECEPTACLE, DUAL CRIMP, SERIES BNC	
	APPD 4-3-91 J. LIPPERT	PRODUCT SPEC -	
FINISH SEE TABLE	APPLICATION SPEC -	SIZE C	CAGE CODE 00779
	WEIGHT -	DRAWING NO 331368	
		SCALE 12:1	SHEET 1 OF 1

331368

A

CUSTOMER DRAWING