



Chipsmall Limited consists of a professional team with an average of over 10 year of expertise in the distribution of electronic components. Based in Hongkong, we have already established firm and mutual-benefit business relationships with customers from,Europe,America and south Asia,supplying obsolete and hard-to-find components to meet their specific needs.

With the principle of “Quality Parts,Customers Priority,Honest Operation,and Considerate Service”,our business mainly focus on the distribution of electronic components. Line cards we deal with include Microchip,ALPS,ROHM,Xilinx,Pulse,ON,Everlight and Freescale. Main products comprise IC,Modules,Potentiometer,IC Socket,Relay,Connector.Our parts cover such applications as commercial,industrial, and automotives areas.

We are looking forward to setting up business relationship with you and hope to provide you with the best service and solution. Let us make a better world for our industry!



Contact us

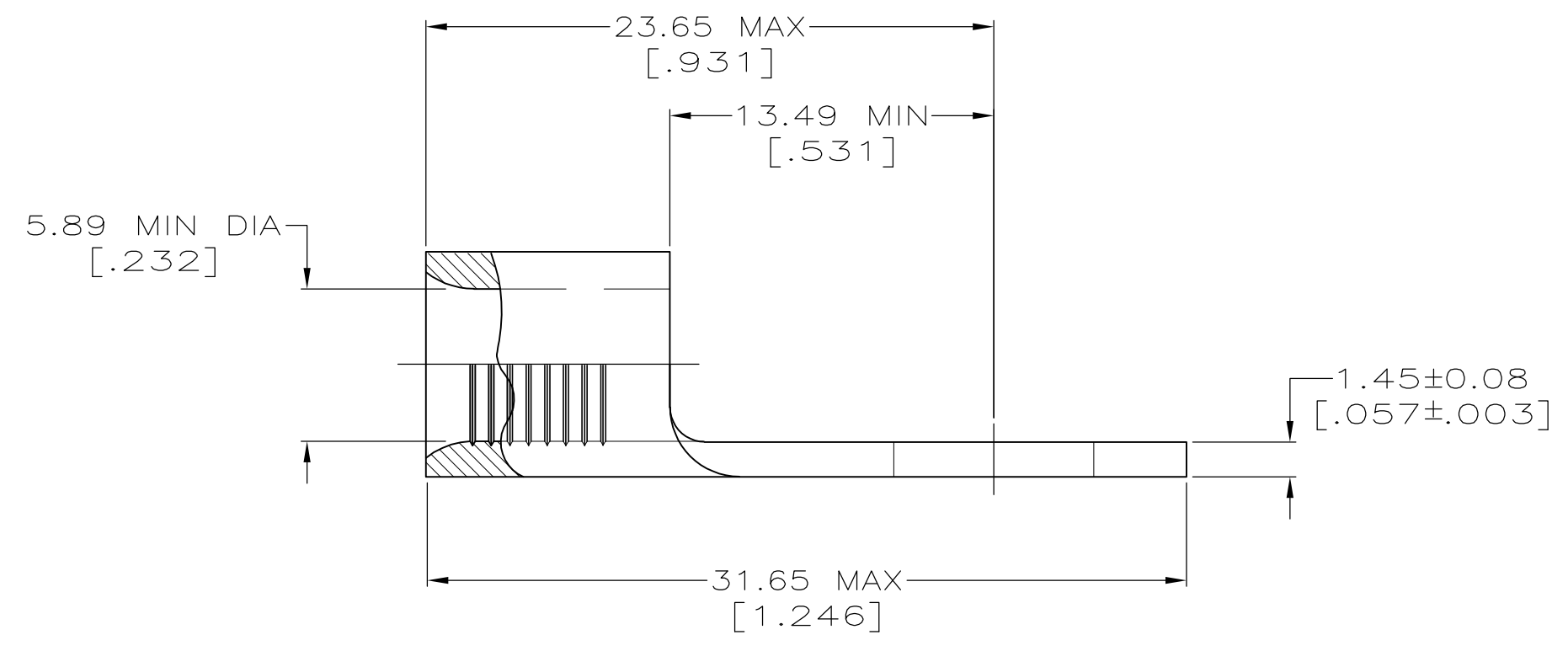
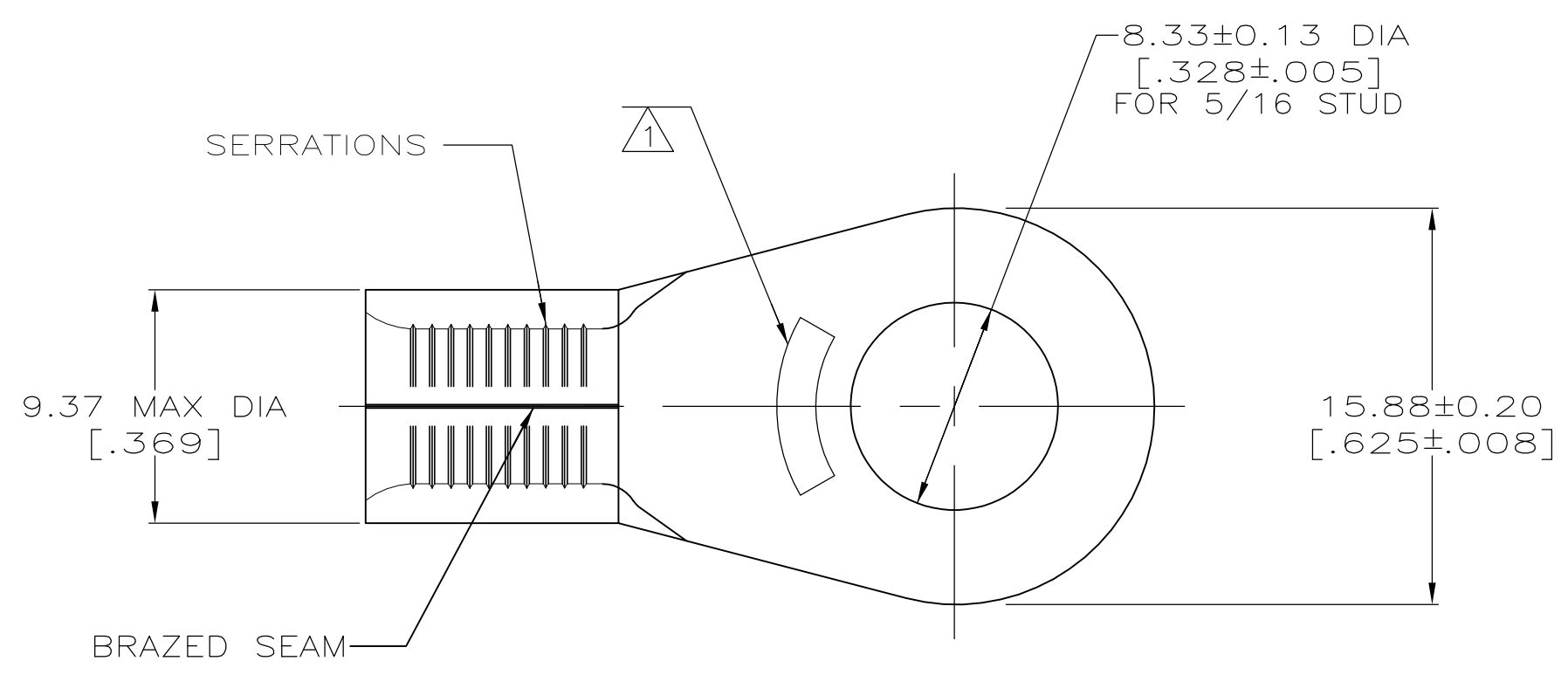
Tel: +86-755-8981 8866 Fax: +86-755-8427 6832

Email & Skype: info@chipsmall.com Web: www.chipsmall.com

Address: A1208, Overseas Decoration Building, #122 Zhenhua RD., Futian, Shenzhen, China



LOC	DIST	REVISIONS					
G	14	P	LTR	DESCRIPTION	DATE	OWN	APVD
		N2		REVISED PER ECO-11-004820	11MAR11	RK	HMR



AMP WIRE RANGE	Listed FILE E13288
6 AWG SOLID OR STRANDED	6 AWG STRANDED
LR7189 Certified	MILITARY P/N AND CLASS
6 AWG SOLID OR STRANDED	MS 20659-131 CLASS 2 P/N 33466 & 2-33466-3 ONLY

- ① STAMP AMP 6* APPROX AS SHOWN
- ② 0.00254 [.000100] MIN TIN PLATE PER ASTM B-545.
- ③ GOLD PLATE 0.00127 [.000050] MIN THK PER ASTM B-488, TYPE 2, GRADE C OVER NICKEL PLATE 0.00076 [.000030] MIN THK PER QQ-N-290.
- ④ SUPERSEDED BY 8-33466-3
- ⑤ COPPER PER ASTM B-152, ANNEALED

	25	LOOSE PIECE, BAG	8-33466-5	④
	25	LOOSE PIECE, BOX	8-33466-3	
OBSOLETE	500	LOOSE PIECE, BOX	2-33466-4	
	750	33466 ON TAPE	2-33466-3	
	----	LOOSE PIECE	2-33466-1	
	----	LOOSE PIECE	33466	
	FINISH	QTY	PACKAGE TYPE	PART NO

AMP INCORPORATED CUSTOMER SERVICE SYSTEMS		MAX RECOMMENDED OPERATING TEMPERATURE: 170°C
FOR ADDITIONAL PRODUCT INFORMATION OR COPIES OF DRAWINGS AND TECHNICAL DOCUMENTS	PRODUCT INFORMATION CENTER 1-800-522-6752	VOLTAGE RATING: N/A
FOR APPLICATION TOOLING INFORMATION	TOOLING ASSISTANCE CENTER 1-800-722-1111	CIRCULAR MIL AREA: 10.5-16.8mm ² [20,800-33,100] SOLID OR STRANDED
FOR ORDER ENTRY	1-800-526-5142	THIS DRAWING IS A CONTROLLED DOCUMENT FOR AMP INCORPORATED. IT IS SUBJECT TO CHANGE AND THE CONTROLLING ENGINEERING ORGANIZATION SHOULD BE CONTACTED FOR THE LATEST REVISION.

THIS DRAWING IS A CONTROLLED DOCUMENT.		DWN TA BRINKMAN 3-24-93	TE Connectivity		
DIMENSIONS: mm [INCHES]		CHK DA PATTERSON 3-24-93			
TOLERANCES UNLESS OTHERWISE SPECIFIED:		APVD JL MECKLEY 3-24-93	NAME TERMINAL, RING TONGUE, SOLISTRAND		
0 PLC ± - 1 PLC ± - 2 PLC ± - 3 PLC ± - 4 PLC ± - ANGLES ± ± -		PRODUCT SPEC - APPLICATION SPEC -	SIZE A2	CAGE CODE 00779	DRAWING NO G-33466
MATERIAL - ⑤	FINISH SEE TABLE	WEIGHT -	RESTRICTED TO -		
CUSTOMER DRAWING			SCALE 4:1	SHEET 1 of 1	REV N2