



Chipsmall Limited consists of a professional team with an average of over 10 year of expertise in the distribution of electronic components. Based in Hongkong, we have already established firm and mutual-benefit business relationships with customers from,Europe,America and south Asia,supplying obsolete and hard-to-find components to meet their specific needs.

With the principle of “Quality Parts,Customers Priority,Honest Operation,and Considerate Service”,our business mainly focus on the distribution of electronic components. Line cards we deal with include Microchip,ALPS,ROHM,Xilinx,Pulse,ON,Everlight and Freescale. Main products comprise IC,Modules,Potentiometer,IC Socket,Relay,Connector.Our parts cover such applications as commercial,industrial, and automotives areas.

We are looking forward to setting up business relationship with you and hope to provide you with the best service and solution. Let us make a better world for our industry!



Contact us

Tel: +86-755-8981 8866 Fax: +86-755-8427 6832

Email & Skype: info@chipsmall.com Web: www.chipsmall.com

Address: A1208, Overseas Decoration Building, #122 Zhenhua RD., Futian, Shenzhen, China



THIS DRAWING IS UNPUBLISHED.

RELEASED FOR PUBLICATION

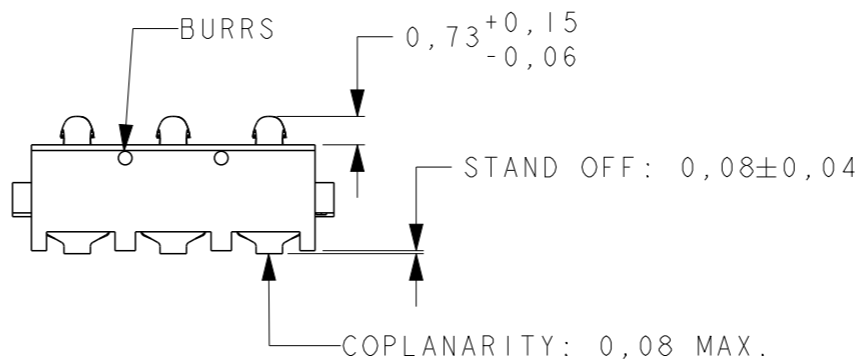
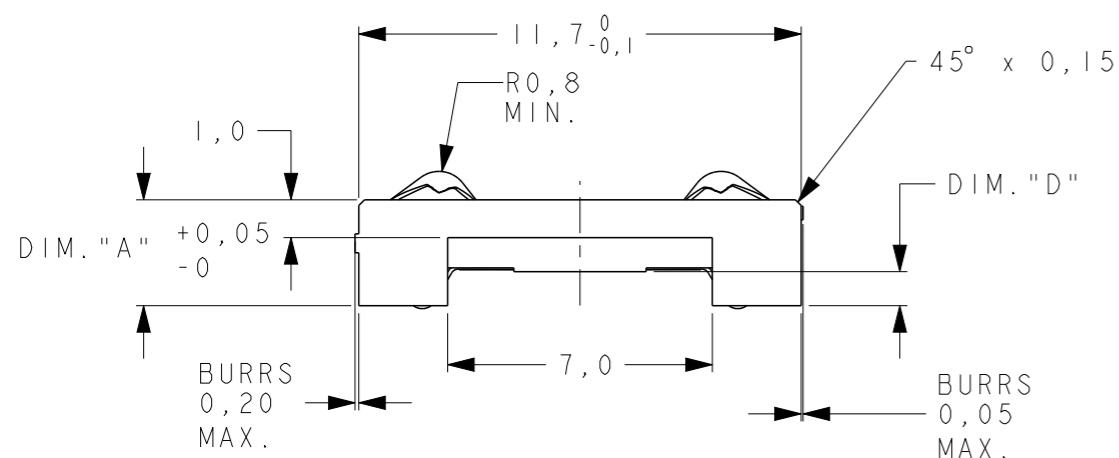
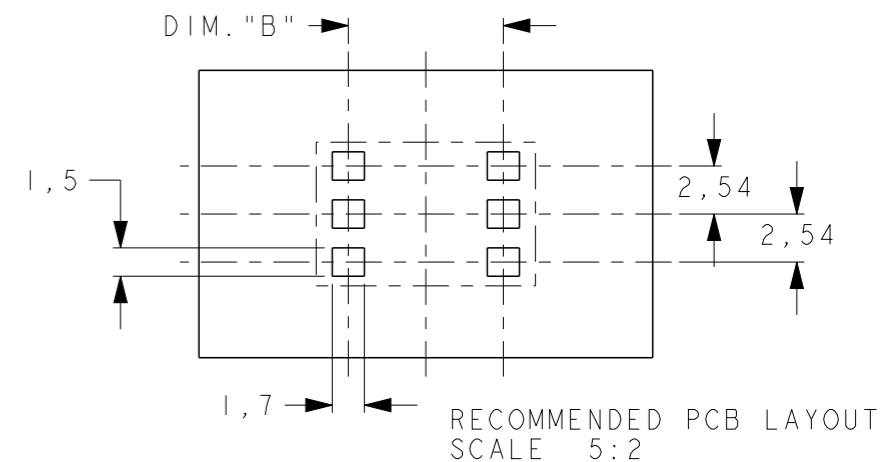
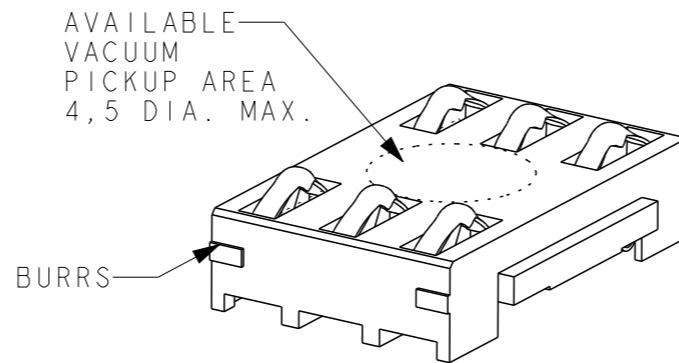
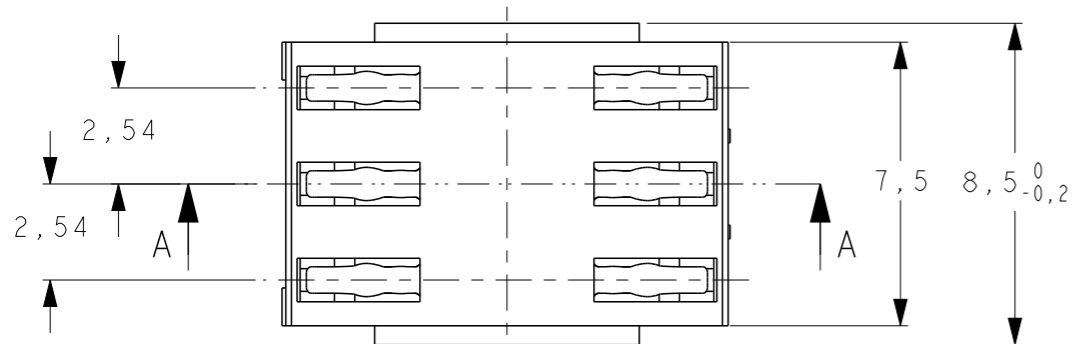
© COPYRIGHT -

ALL RIGHTS RESERVED.

LOC H DIST -

REVISIONS

P	LTR	DESCRIPTION	DATE	DWN	APVD
	K5	ECR-07-029842	11DEC2007	WJ	DH
	K6	ECR-12-010918	29OCT2012	RK	JHA
	K7	ECR-12-020749	04DEC2012	RK	JHA



2-338063-8 AS SHOWN

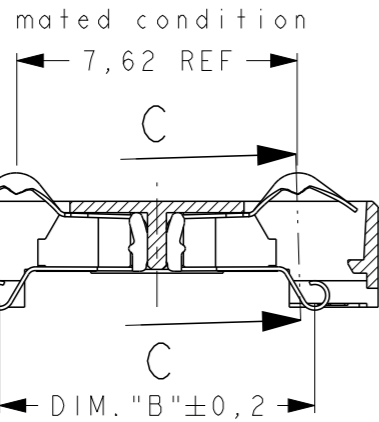
MATERIAL & FINISH:

HOUSING: GF LIQUID CRISTAL POLYMER UL 94V-0, COLOUR BLACK

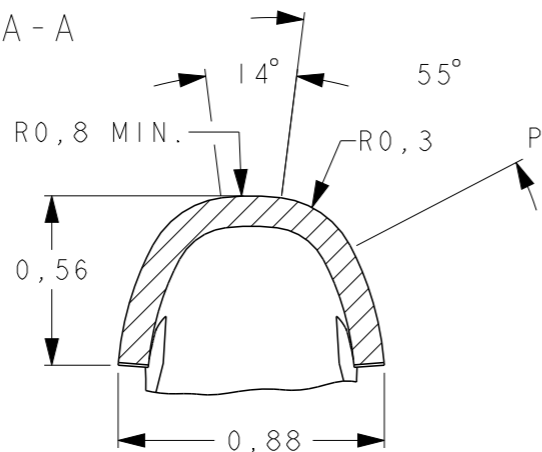
CONTACT: PHOSPHOR BRONZE

PLATING: - CARD SIDE 1,25 µm Au SELECTIVE
 - SOLDER SIDE 0,1-0,2 µm Au SELECTIVE
 - UNDER LAYER 1,3 µm Ni

PACKAGING: POCKET TAPE ACCORDING EIA 481-2 SEE SHEET 2



SECTION A-A



SECTION C-C SCALE 40:1

	part number	DIM. "A"	DIM. "B"	DIM. "C"	DIM. "D"	TOOLED
OBSOLETE	1-338063-9	1,9	8,3	0,0	0,0	YES
	2-338063-0	2,0	8,3	0,1	0,0	YES
	2-338063-1	2,1	8,3	0,2	0,1	NOT YET
	2-338063-2	2,2	8,3	0,3	0,2	YES
	2-338063-3	2,3	8,3	0,4	0,3	NOT YET
	2-338063-4	2,4	8,2	0,5	0,4	YES
	2-338063-5	2,5	8,2	0,5	0,5	YES
	2-338063-6	2,6	8,2	0,5	0,6	YES
	2-338063-7	2,7	8,1	0,5	0,7	NOT YET
	2-338063-8	2,8	8,1	0,5	0,8	YES
OBSOLETE	2-338063-9	2,9	9,3	0,5	0,9	NOT YET
	3-338063-0	3,0	9,3	0,5	1,0	NOT YET
	3-338063-1	3,1	9,2	0,5	1,1	NOT YET
	3-338063-2	3,2	9,2	0,5	1,2	NOT YET
	3-338063-3	3,3	9,1	0,5	1,3	NOT YET
	3-338063-4	3,4	9,1	0,5	1,4	NOT YET
	3-338063-5	3,5	9,0	0,5	1,5	YES
	3-338063-6	3,6	8,9	0,5	1,6	NOT YET
	3-338063-7	3,7	8,9	0,5	1,7	YES
	3-338063-8	3,8	8,8	0,5	1,8	NOT YET
OBSOLETE	3-338063-9	3,9	8,7	0,5	1,9	NOT YET
	4-338063-0	4,0	8,6	0,5	2,0	YES

THIS DRAWING IS A CONTROLLED DOCUMENT.

DIMENSIONS: mm	TOLERANCES UNLESS OTHERWISE SPECIFIED:
	0 PLC ±-
	1 PLC ±-
	2 PLC ±-
	3 PLC ±-
	4 PLC ±-
	ANGLES ±-
MATERIAL -	FINISH -

DWN	W. Jansen
CHK	W. Jansen 07Nov96
APVD	C. v. Tilburg 07Nov96
PRODUCT SPEC	108-19122
APPLICATION SPEC	114-19054
WEIGHT	0,22-0,29 gr.
CUSTOMER DRAWING	

STE TE Connectivity

NAME: GENERIC SIM CONTACT MODULE WITH CONTACT STOP

SIZE	CAGE CODE	DRAWING NO	RESTRICTED TO
A3		C-338063	-

SCALE 5:1 SHEET 1 OF 2 REV K7

THIS DRAWING IS UNPUBLISHED.

RELEASED FOR PUBLICATION

© COPYRIGHT -

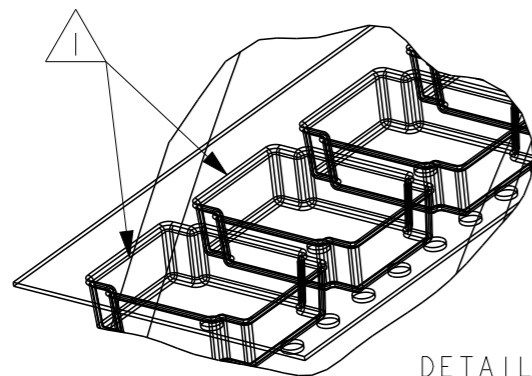
ALL RIGHTS RESERVED.

LOC
H

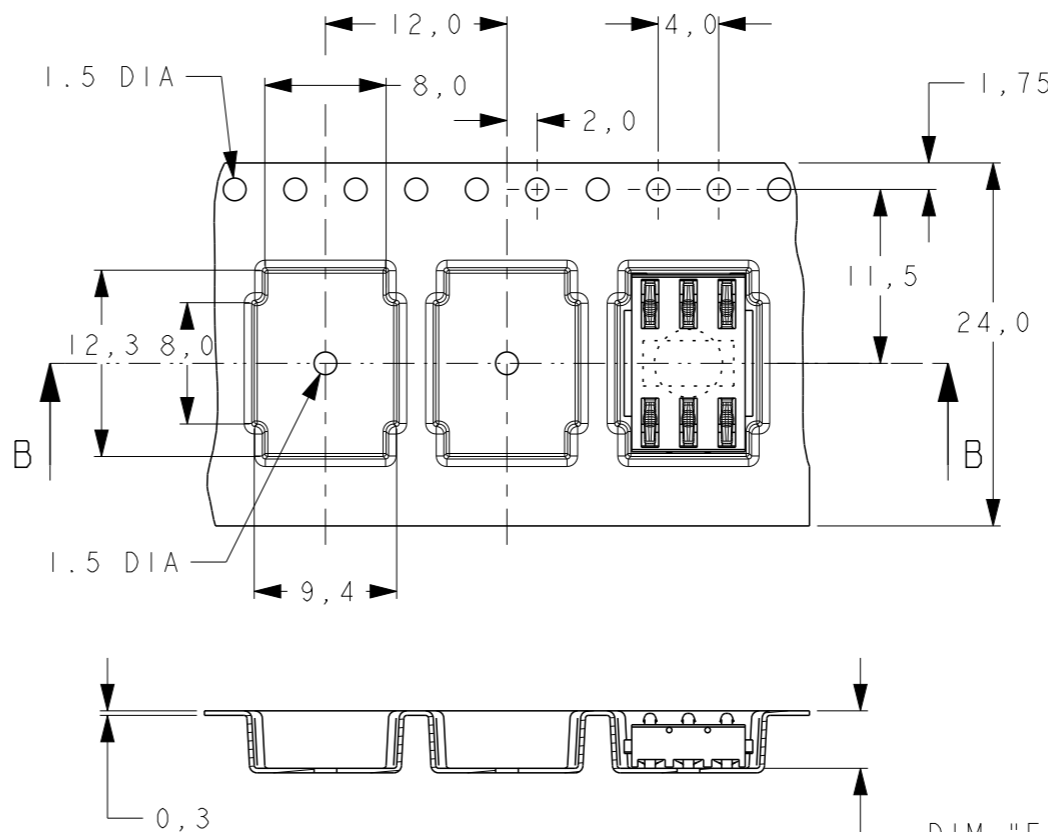
DIST
-

REVISIONS

P	LTR	DESCRIPTION	DATE	DWN	APVD
	-	SEE SHEET 1	-	-	-

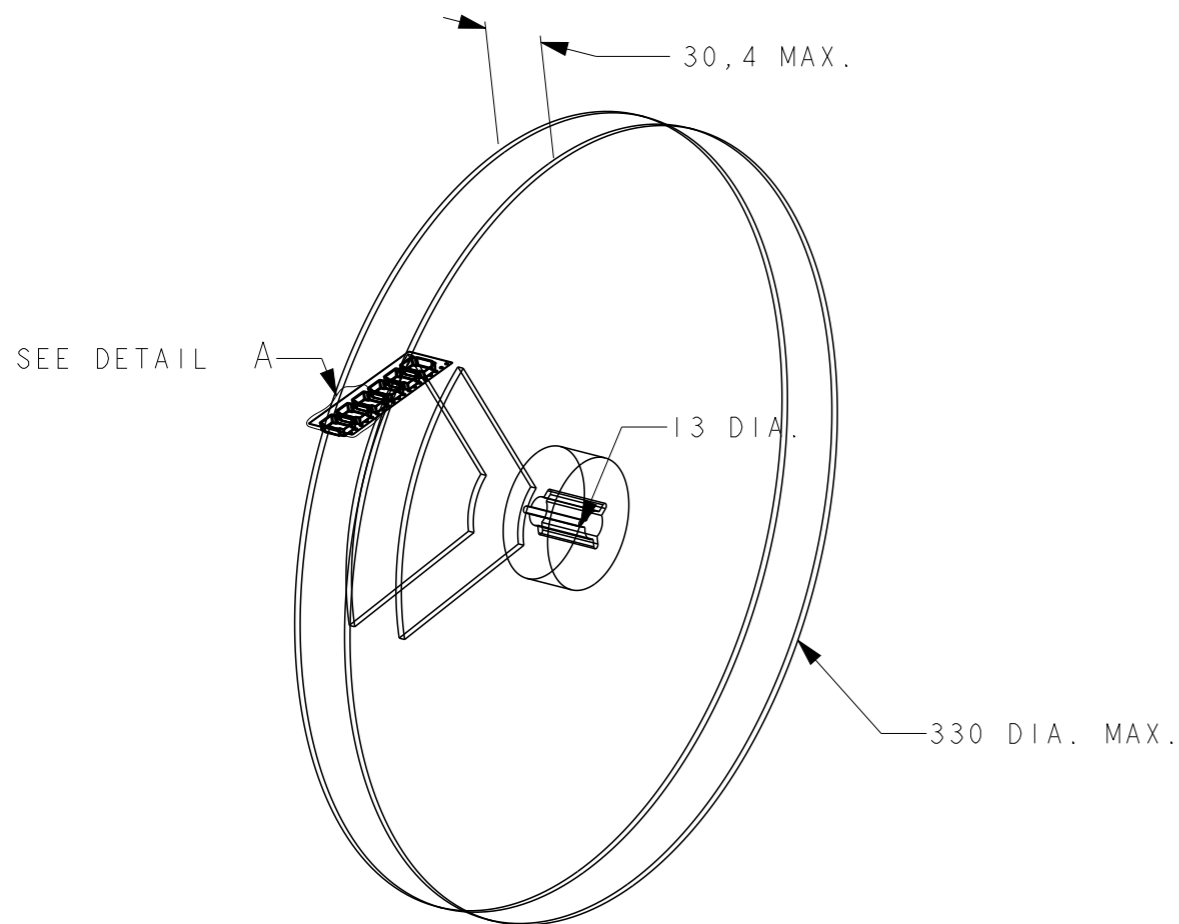


DETAIL A
SCALE 2:1



SECTION B-B

	part number	POCKET TAPE VERSION	DIM. "E"
OBSOLETE	1-338063-9	LOW	3,8
	2-338063-0	LOW	3,8
	2-338063-1	LOW	3,8
	2-338063-2	LOW	3,8
	2-338063-3	LOW	3,8
	2-338063-4	LOW	3,8
	2-338063-5	LOW	3,8
	2-338063-6	LOW	3,8
	2-338063-7	LOW	3,8
2-338063-8	LOW	3,8	
2-338063-9	HIGH	5,3	
3-338063-0	HIGH	5,3	
3-338063-1	HIGH	5,3	
3-338063-2	HIGH	5,3	
3-338063-3	HIGH	5,3	
3-338063-4	HIGH	5,3	
OBSOLETE	3-338063-5	HIGH	5,3
3-338063-6	HIGH	5,3	
OBSOLETE	3-338063-7	HIGH	5,3
3-338063-8	HIGH	5,3	
3-338063-9	HIGH	5,3	
OBSOLETE	4-338063-0	HIGH	5,3




SCALE 3:10

NOTES:

⚠ THE FIRST 33 POCKETS ARE EMPTY AND THE LAST 14 POCKETS ARE EMPTY.
 ONE REEL CONTAINS 1400 PRODUCTS FOR LOW VERSION
 1140 PRODUCTS FOR HIGH VERSION

SEALED COVER TAPE	PET/PE	TRANSPARENT
EMBOSSED CARRIER TAPE	PS	GREY
REEL	PS	GREY
DESCRIPTION	MATERIAL	COLOUR

THIS DRAWING IS A CONTROLLED DOCUMENT.	
DIMENSIONS: mm	TOLERANCES UNLESS OTHERWISE SPECIFIED: 0 PLC ±- 1 PLC ±- 2 PLC ±- 3 PLC ±- 4 PLC ±- ANGLES ±- FINISH -
MATERIAL -	

DWN W. Jansen	 TE Connectivity	
CHK W. Jansen 07Nov96		
APVD C. v. Tilburg 07Nov96		
PRODUCT SPEC 108-19122		
APPLICATION SPEC 114-19054	NAME GENERIC SIM CONTACT MODULE WITH CONTACT STOP	RESTRICTED TO -
WEIGHT	SIZE A3	DRAWING NO C-338063
CUSTOMER DRAWING	SCALE 5:1	SHEET 2 OF 2
		REV K7