



Chipsmall Limited consists of a professional team with an average of over 10 year of expertise in the distribution of electronic components. Based in Hongkong, we have already established firm and mutual-benefit business relationships with customers from,Europe,America and south Asia,supplying obsolete and hard-to-find components to meet their specific needs.

With the principle of “Quality Parts,Customers Priority,Honest Operation,and Considerate Service”,our business mainly focus on the distribution of electronic components. Line cards we deal with include Microchip,ALPS,ROHM,Xilinx,Pulse,ON,Everlight and Freescale. Main products comprise IC,Modules,Potentiometer,IC Socket,Relay,Connector.Our parts cover such applications as commercial,industrial, and automotives areas.

We are looking forward to setting up business relationship with you and hope to provide you with the best service and solution. Let us make a better world for our industry!



Contact us

Tel: +86-755-8981 8866 Fax: +86-755-8427 6832

Email & Skype: info@chipsmall.com Web: www.chipsmall.com

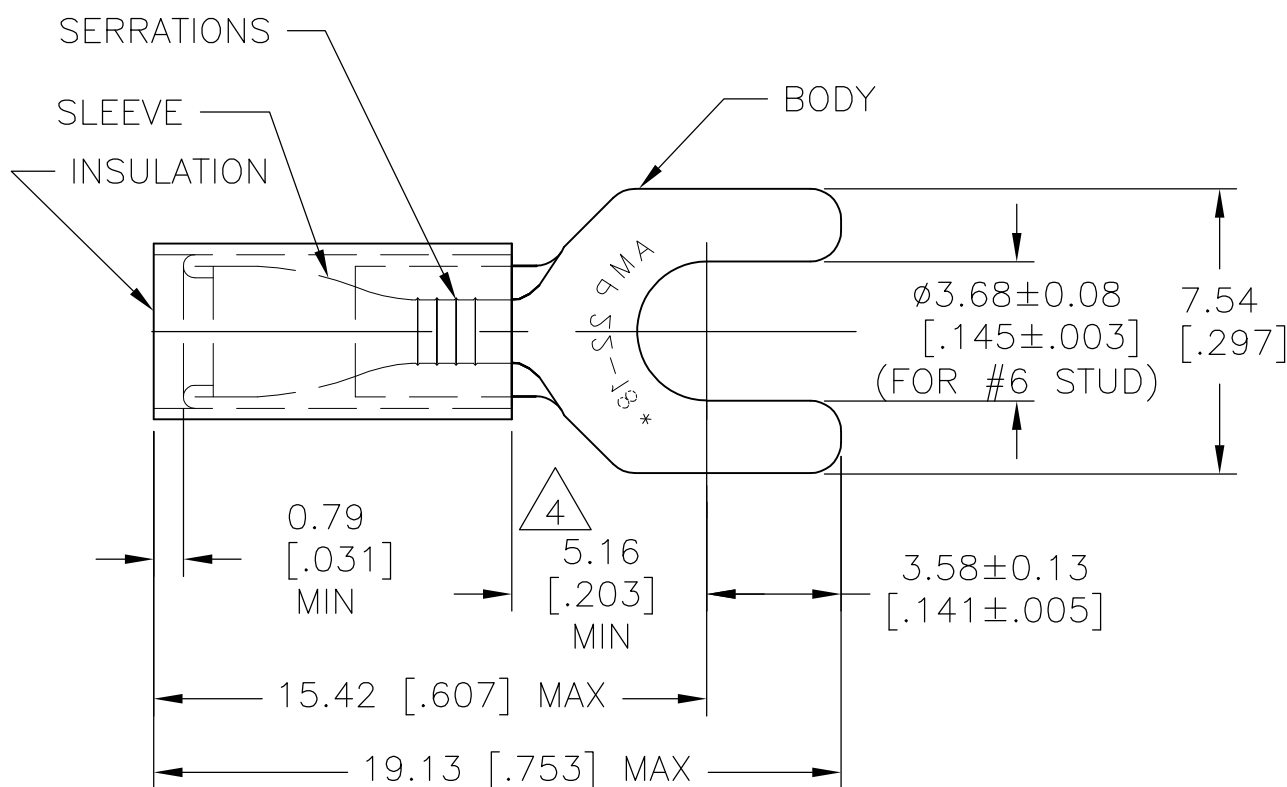
Address: A1208, Overseas Decoration Building, #122 Zhenhua RD., Futian, Shenzhen, China



THIS DRAWING IS UNPUBLISHED. RELEASED FOR PUBLICATION
 © COPYRIGHT - By - ALL RIGHTS RESERVED.

LOC	DIST	REVISIONS					
		P	LTR	DESCRIPTION	DATE	DWN	APVD
G	14		G2	REVISED PER ECO-11-004820	11MAR11	RK	HMR

QTY	DESCRIPTION	PART NO
100	LOOSE PIECE, BOX	8-34080-1



- 1 WIRE INSULATION DIA IS 2.03-3.18 [.080-.125].
 - 2 TONGUE MATERIAL THICKNESS = 0.79±0.05 [.031±.002]
 - 3 MARKING 22-18 FOR MILITARY COMMERCIAL RANGE 22-16
- △ 4 APPLIES FROM METAL EDGE OF BARREL TO CENTER OF STUD.

QTY	DESCRIPTION	MATERIAL & FINISH	PART NO
1	34080 ON TAPE	BODY: COPPER (ASTM-B152) TIN PL (ASTM-B545)	2-34080-1
1	WIRE TERMINAL	SLEEVE: COPPER (ASTM-B152) TIN PL (ASTM-B545) INSULATION: NYLON COLOR: RED	34080

CUSTOMER SERVICE SYSTEMS FOR ADDITIONAL PRODUCT INFORMATION OR COPIES OF DRAWINGS AND TECHNICAL DOCUMENTS PRODUCT INFORMATION CENTER 1-800-522-6752 FOR APPLICATION TOOLING ASSISTANCE CENTER TOOLING INFORMATION 1-800-722-1111 FOR ORDER ENTRY 1-800-526-5142		MAX RECOMMENDED OPERATING TEMPERATURE: 105°C [221° F] VOLTAGE RATING: 300V MAX CIRCULAR MIL AREA: 1.04-2.62mm² [2,050-5,180] SOLID OR STRANDED	THIS DRAWING IS A CONTROLLED DOCUMENT. DIMENSIONS: mm [INCHES] TOLERANCES UNLESS OTHERWISE SPECIFIED: 0 PLC ± - 1 PLC ± - 2 PLC ± - 3 PLC ± 0.20[.008] 4 PLC ± - ANGLES ± .5° MATERIAL: SEE TABLE FINISH: SEE TABLE	DWN: RAGHAVENDRA 03JUL09 CHK: JEFF RUTH 03JUL09 APVD: JEFF RUTH 03JUL09 PRODUCT SPEC: - APPLICATION SPEC: - WEIGHT: - CUSTOMER DRAWING	TE Connectivity NAME: WIRE-TERMINAL PIDG-SPADE WIRE SIZE: 22-16 SIZE: A3 CAGE CODE: 00779 DRAWING NO: C-34080 RESTRICTED TO: - SCALE: 5:1 SHEET: 1 OF 1 REV: G2
--	--	--	---	--	--