



Chipsmall Limited consists of a professional team with an average of over 10 year of expertise in the distribution of electronic components. Based in Hongkong, we have already established firm and mutual-benefit business relationships with customers from,Europe,America and south Asia,supplying obsolete and hard-to-find components to meet their specific needs.

With the principle of “Quality Parts,Customers Priority,Honest Operation,and Considerate Service”,our business mainly focus on the distribution of electronic components. Line cards we deal with include Microchip,ALPS,ROHM,Xilinx,Pulse,ON,Everlight and Freescale. Main products comprise IC,Modules,Potentiometer,IC Socket,Relay,Connector.Our parts cover such applications as commercial,industrial, and automotives areas.

We are looking forward to setting up business relationship with you and hope to provide you with the best service and solution. Let us make a better world for our industry!



## Contact us

Tel: +86-755-8981 8866 Fax: +86-755-8427 6832

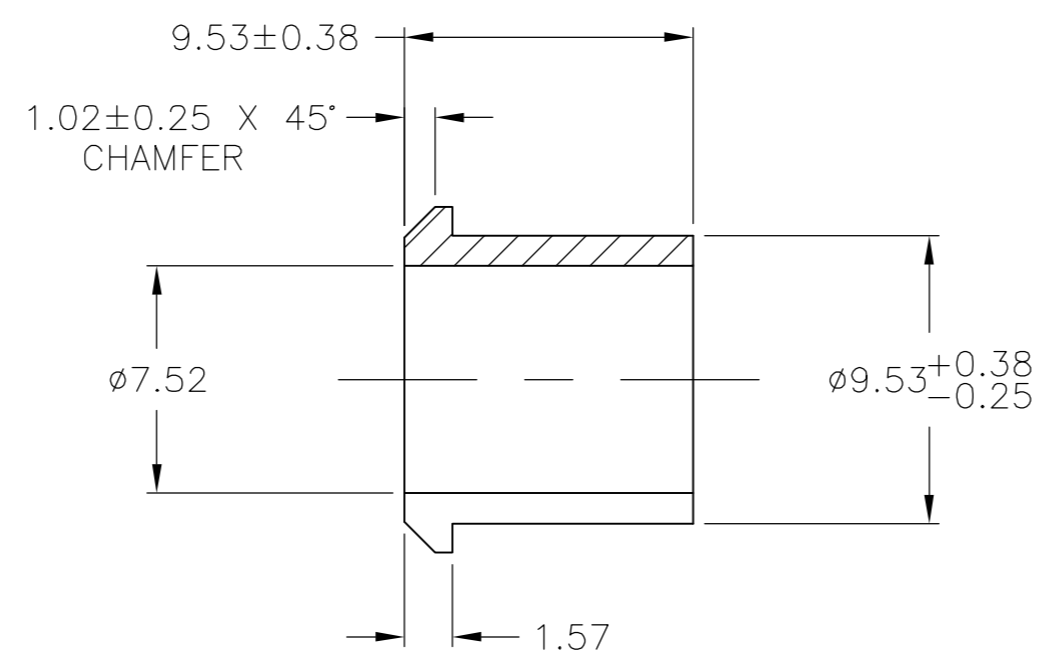
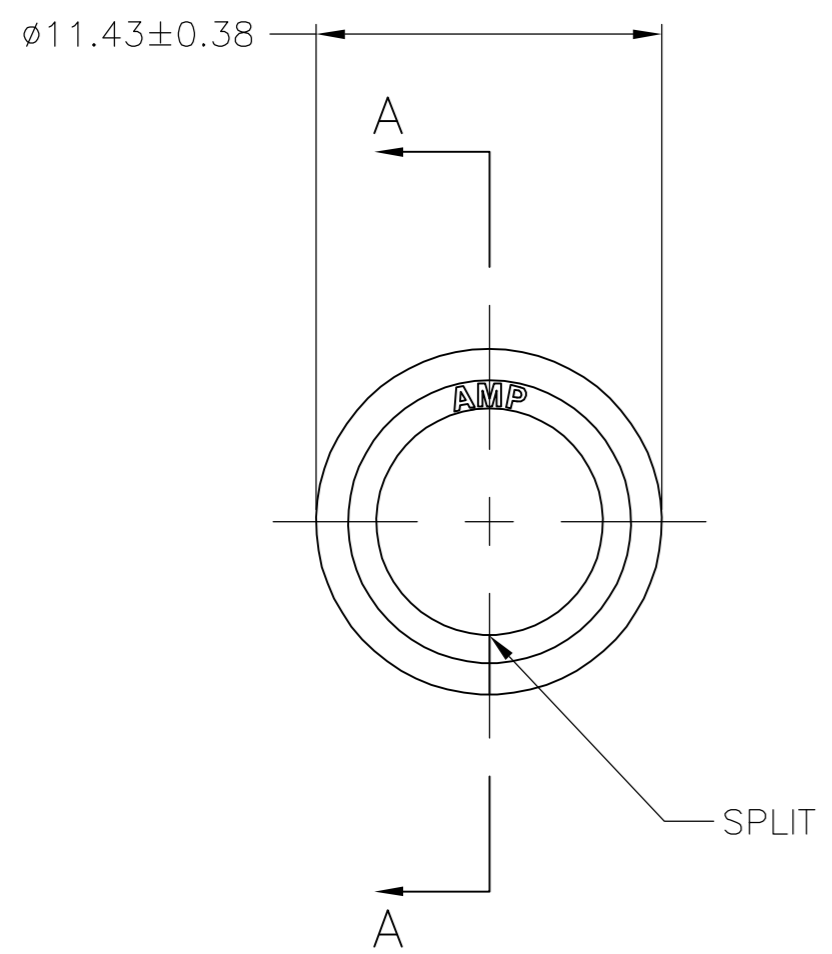
Email & Skype: info@chipsmall.com Web: www.chipsmall.com

Address: A1208, Overseas Decoration Building, #122 Zhenhua RD., Futian, Shenzhen, China



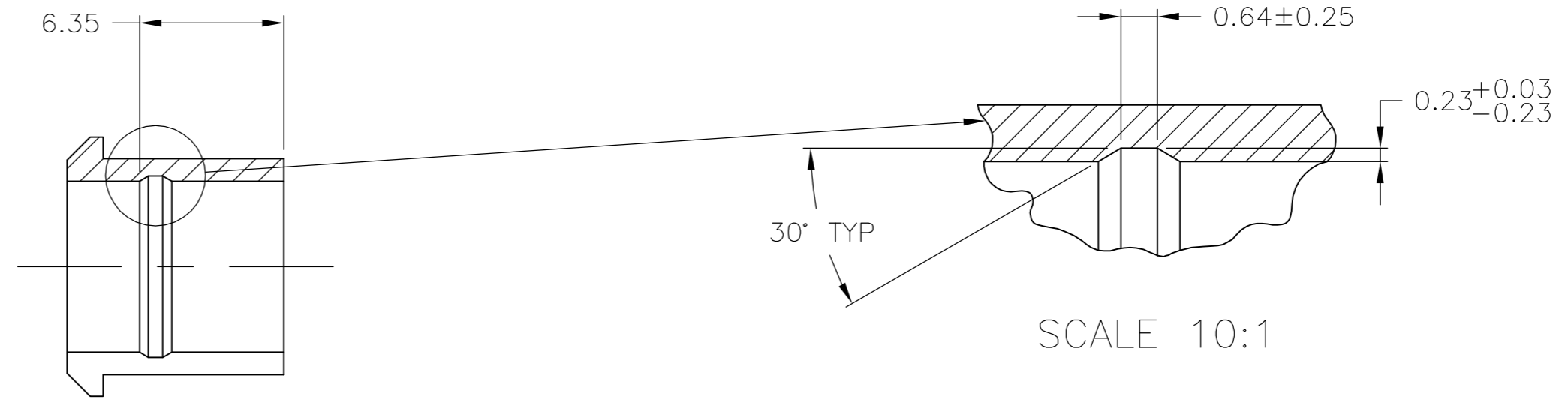
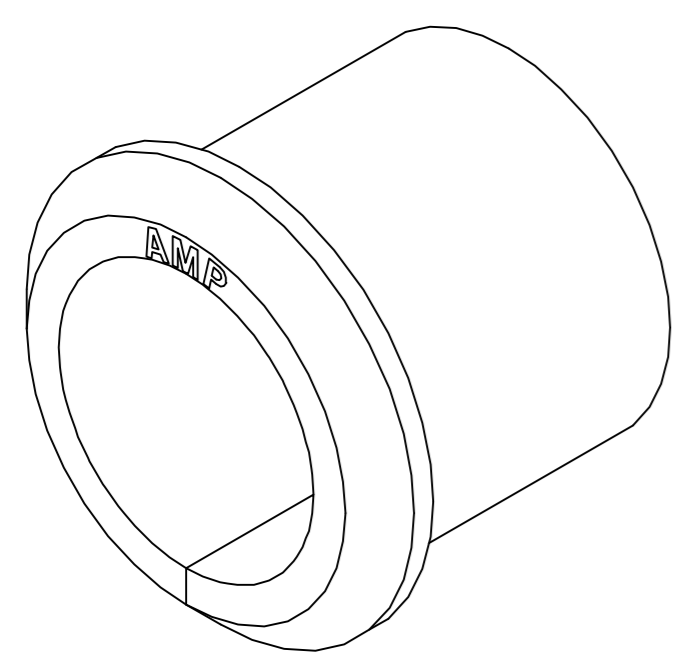
THIS DRAWING IS UNPUBLISHED. RELEASED FOR PUBLICATION  
 © COPYRIGHT BY TYCO ELECTRONICS CORPORATION. ALL RIGHTS RESERVED.

LOC		DIST		REVISIONS					
CM		0		P	LTR	DESCRIPTION	DATE	DWN	APVD
				F		ECO-06-012706	07JUN06	BSV	JR



SECTION A-A

- 1. USE WITH STRAIN RELIEF 350373.
- 2. MOLDING COMPOUND PVC,FLEXIBLE, 55/75 DUROMETER (B SCALE),BLACK.
- 3. MOLDING COMPOUND PVC,FLEXIBLE,BLACK.



SECTION A-A  
OPTIONAL CONSTRUCTION

3-DIMENSIONAL MODEL  
NTS

SUPERCEDED BY 2-350375-0	3	2-350375-0
	2	1-350375-0
	MATERIAL	PART NUMBER

0.25	.010	1.57	.062	11.43	.450
0.23	.009	1.02	.040	9.53	.375
0.13	.005	0.64	.025	7.52	.296
0.03	.001	0.38	.015	6.35	.250
MM	IN	MM	IN	MM	IN

CONVERSION TABLE

METRIC

THIS DRAWING IS A CONTROLLED DOCUMENT.		DWN K. WHITAKER 23MAR06	tyco Electronics		Tyco Electronics Corporation Harrisburg, Pa 17105-3608	
DIMENSIONS: mm		CHK C. JONES 23MAR06	NAME GROMMET,SPLIT,M.R.			
TOLERANCES UNLESS OTHERWISE SPECIFIED: 0 PLC ± - 1 PLC ± - 2 PLC ± - 3 PLC ± 0.13 4 PLC ± - ANGLES ± 1'0"		APVD C. JONES 23MAR06	PRODUCT SPEC -			
MATERIAL SEE TABLE		APPLICATION SPEC -	WEIGHT -	SIZE A2	CAGE CODE 00779	DRAWING NO C=350375
CUSTOMER DRAWING			SCALE 4:1	SHEET 1 OF 1	REV F	RESTRICTED TO -

350375