



Chipsmall Limited consists of a professional team with an average of over 10 year of expertise in the distribution of electronic components. Based in Hongkong, we have already established firm and mutual-benefit business relationships with customers from,Europe,America and south Asia,supplying obsolete and hard-to-find components to meet their specific needs.

With the principle of "Quality Parts,Customers Priority,Honest Operation,and Considerate Service",our business mainly focus on the distribution of electronic components. Line cards we deal with include Microchip,ALPS,ROHM,Xilinx,Pulse,ON,Everlight and Freescale. Main products comprise IC,Modules,Potentiometer,IC Socket,Relay,Connector.Our parts cover such applications as commercial,industrial, and automotives areas.

We are looking forward to setting up business relationship with you and hope to provide you with the best service and solution. Let us make a better world for our industry!



Contact us

Tel: +86-755-8981 8866 Fax: +86-755-8427 6832

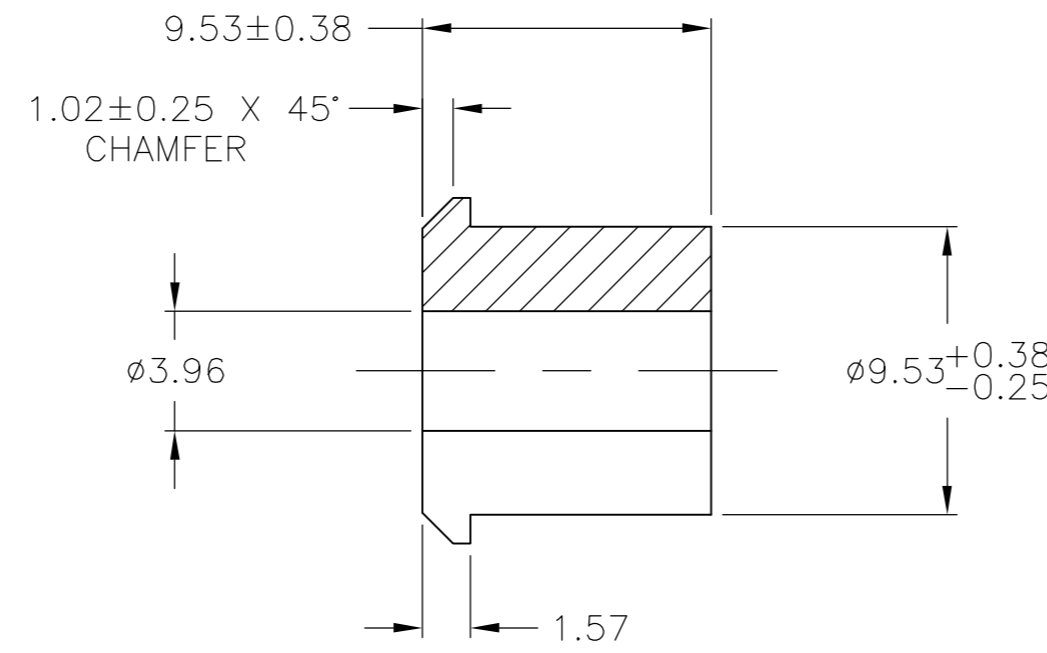
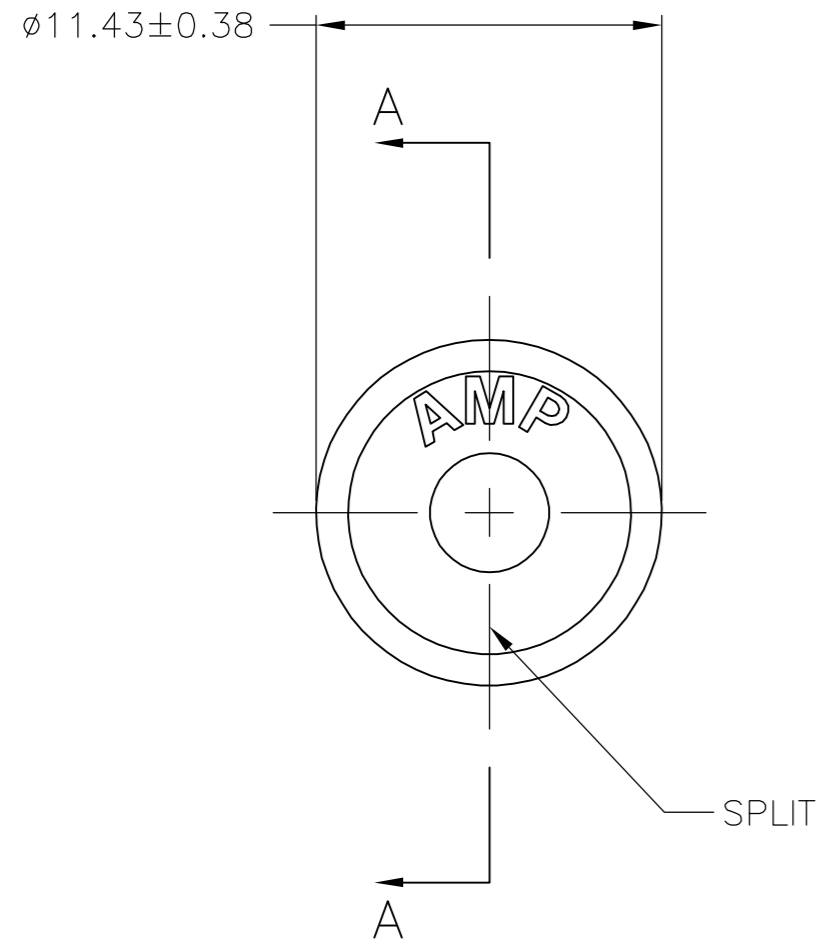
Email & Skype: info@chipsmall.com Web: www.chipsmall.com

Address: A1208, Overseas Decoration Building, #122 Zhenhua RD., Futian, Shenzhen, China



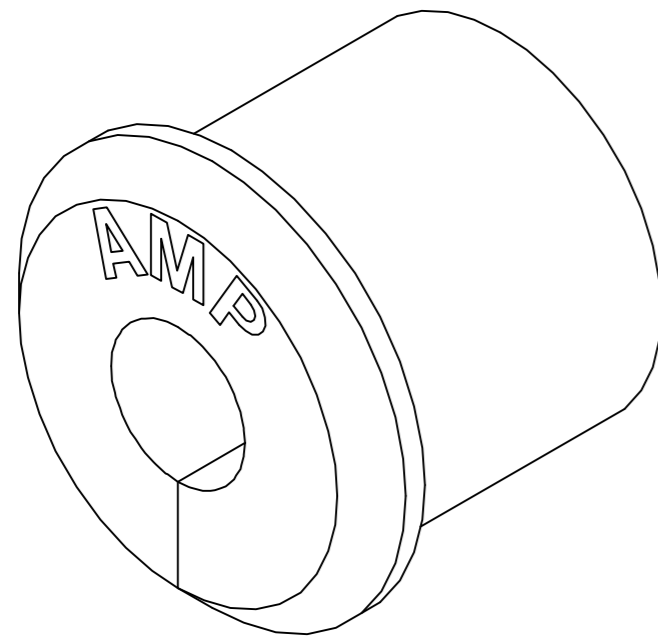
THIS DRAWING IS UNPUBLISHED. RELEASED FOR PUBLICATION
 © COPYRIGHT BY TYCO ELECTRONICS CORPORATION. ALL RIGHTS RESERVED.

LOC		DIST		REVISIONS					
CM		0		P	LTR	DESCRIPTION	DATE	DWN	APVD
				G		ECO-06-012706	08JUN06	BSV	JR

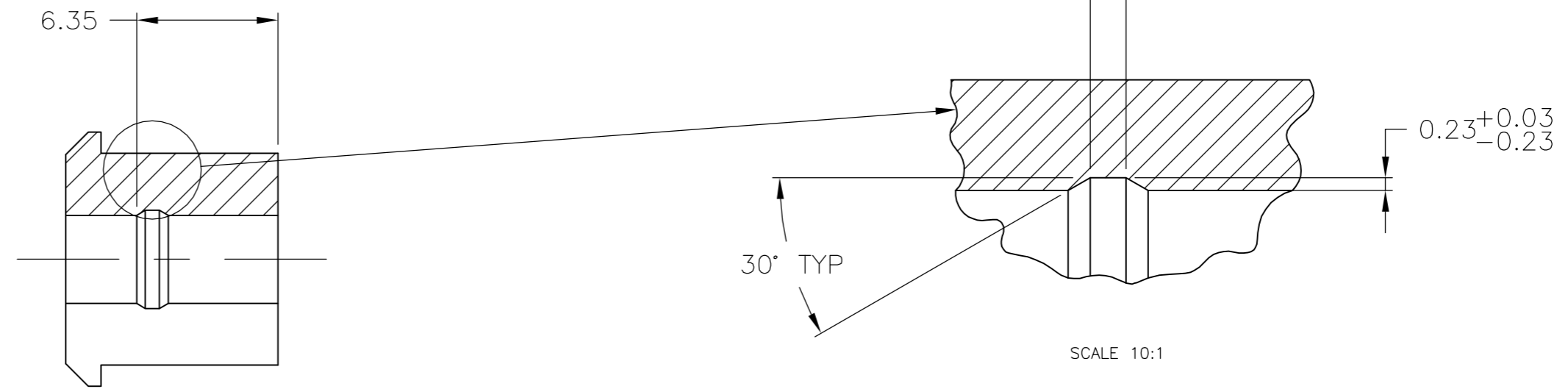


SECTION A-A

- USE WITH STRAIN RELIEF 350373.
- MOLDING COMPOUND PVC,FLEXIBLE, 55/75 DUROMETER (B SCALE),BLACK.
- MOLDING COMPOUND PVC,FLEXIBLE,BLACK.



3-DIMENSIONAL MODEL NTS



SECTION A-A
OPTIONAL CONSTRUCTION

3	2-350377-0
2	1-350377-0
MATERIAL	PART NUMBER
SUPERCEDED BY 2-350377-0	

0.25	.010	1.57	.062	11.43	.450
0.23	.009	1.02	.040	9.53	.375
0.13	.005	0.64	.025	6.35	.250
0.03	.001	0.38	.015	3.96	.156
MM	IN	MM	IN	MM	IN

CONVERSION TABLE

METRIC

THIS DRAWING IS A CONTROLLED DOCUMENT.		DWN	24MAR06	 Tyco Electronics Corporation Harrisburg, Pa 17105-3608	
DIMENSIONS:		CHK	24MAR06		
mm	TOLERANCES UNLESS OTHERWISE SPECIFIED:	APVD	24MAR06		
 0 PLC ± - 1 PLC ± - 2 PLC ± - 3 PLC ± 0.13 4 PLC ± - ± 1° FINISH		NAME	GROMMET,SPLIT,M.R.		
MATERIAL	SEE TABLE	APPLICATION SPEC	-	SIZE	A2
		WEIGHT	-	CAGE CODE	00779
		CUSTOMER DRAWING		DRAWING NO	C=350377
				RESTRICTED TO	-
				SCALE	4:1
				SHEET	1 OF 1
				REV	G

350377

B

A