



Chipsmall Limited consists of a professional team with an average of over 10 year of expertise in the distribution of electronic components. Based in Hongkong, we have already established firm and mutual-benefit business relationships with customers from,Europe,America and south Asia,supplying obsolete and hard-to-find components to meet their specific needs.

With the principle of “Quality Parts,Customers Priority,Honest Operation,and Considerate Service”,our business mainly focus on the distribution of electronic components. Line cards we deal with include Microchip,ALPS,ROHM,Xilinx,Pulse,ON,Everlight and Freescale. Main products comprise IC,Modules,Potentiometer,IC Socket,Relay,Connector.Our parts cover such applications as commercial,industrial, and automotives areas.

We are looking forward to setting up business relationship with you and hope to provide you with the best service and solution. Let us make a better world for our industry!



## Contact us

Tel: +86-755-8981 8866 Fax: +86-755-8427 6832

Email & Skype: info@chipsmall.com Web: www.chipsmall.com

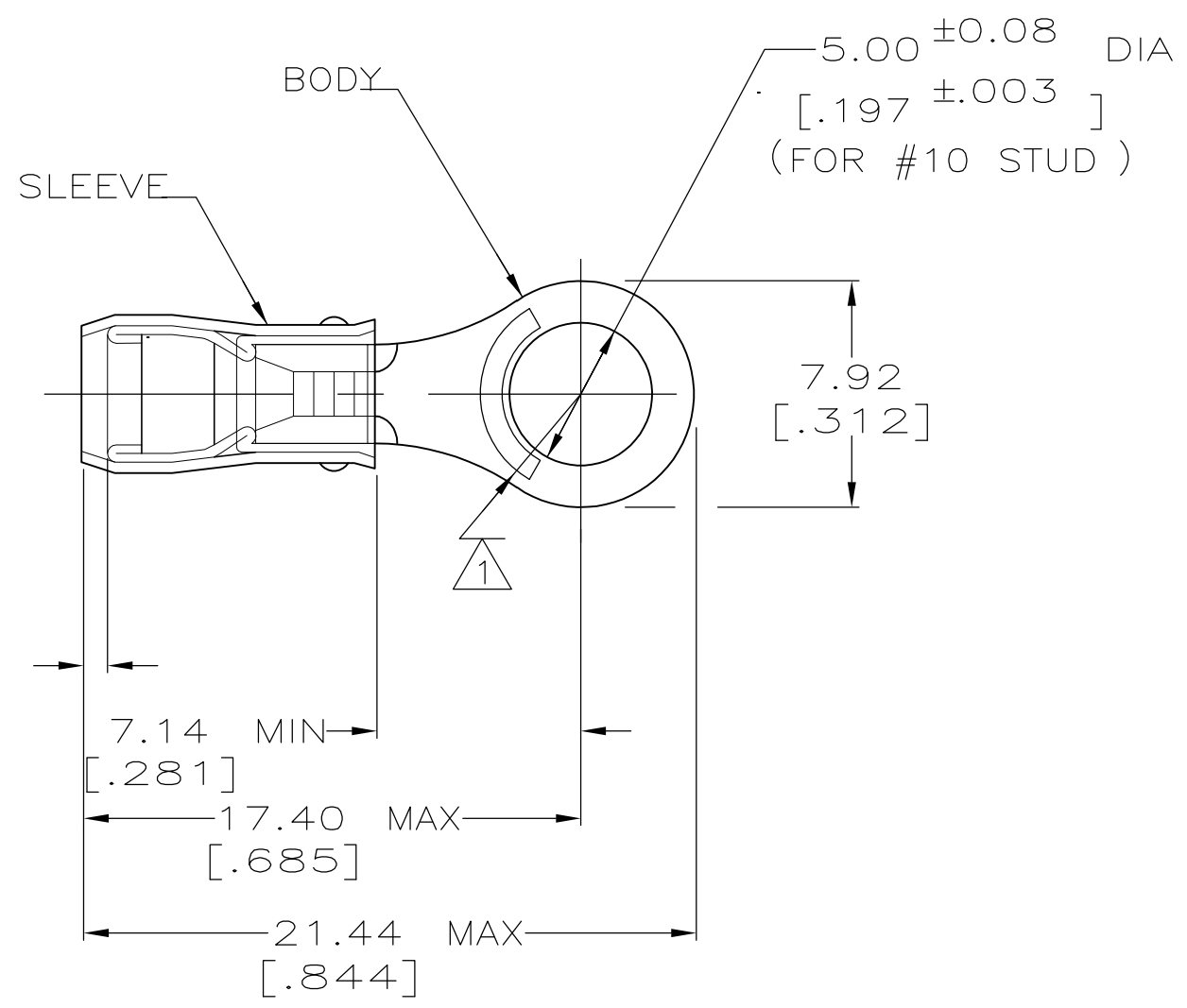
Address: A1208, Overseas Decoration Building, #122 Zhenhua RD., Futian, Shenzhen, China



THIS DRAWING IS UNPUBLISHED. RELEASED FOR PUBLICATION  
 © COPYRIGHT - By - ALL RIGHTS RESERVED.

LOC	DIST	REVISIONS					
		P	LTR	DESCRIPTION	DATE	DWN	APVD
G	14		Z1	REVISED PER ECO-11-004587	11MAR11	RK	HMR

<b>AMP</b> WIRE RANGE	E13288 Listed	LR7189 Certified
22-16 AWG SOLID OR STRANDED	22-16 AWG SOLID OR STRANDED	22-16 AWG SOLID OR STRANDED



- 1 STAMP AMP 22-18\* APPROX AS SHOWN  
22-16 TERMINALS ARE STAMPED 22-18 IN  
ACCORDANCE WITH MILITARY SPEC MIL-T-7928  
COMMERCIAL WIRE RANGE IS 22-16
- 2 WIRE INSULATION DIA: 2.03 - 3.18  
[.080 - .125]
- 3 TONGUE MATERIAL THK: 0.79±0.05  
[.031±.002]

MILITARY P/N AND CLASS	QUANTITY	PACKAGE TYPE	PART NO
-	100	LOOSE PIECE, BOX	6-36153-1
MS25036-103 CLASS 2	5000	ON TAPE, REEL	2-36153-2
MS25036-103 CLASS 1 & 2	1000	LOOSE PIECE	36153

<b>AMP INCORPORATED CUSTOMER SERVICE SYSTEMS</b>		MAX RECOMMENDED OPERATING TEMPERATURE: 105° C MAX
FOR ADDITIONAL PRODUCT INFORMATION OR COPIES OF DRAWINGS AND TECHNICAL DOCUMENTS	PRODUCT INFORMATION CENTER 1-800-522-6752	VOLTAGE RATING: 300 V MAX
FOR APPLICATION TOOLING INFORMATION	TOOLING ASSISTANCE CENTER 1-800-722-1111	CIRCULAR MIL AREA: 0.26-1.65mm <sup>2</sup> [509-3,260] CIR MILS SOLID OR STRANDED
FOR ORDER ENTRY	1-800-526-5142	THIS DRAWING IS A CONTROLLED DOCUMENT FOR AMP INCORPORATED. IT IS SUBJECT TO CHANGE AND THE CONTROLLING ENGINEERING ORGANIZATION SHOULD BE CONTACTED FOR THE LATEST REVISION.

THIS DRAWING IS A CONTROLLED DOCUMENT.		DWN DK SCHRUM 9/8/93	TE Connectivity	
DIMENSIONS: mm [INCHES]		CHK RE HERSEY 9/8/93		
TOLERANCES UNLESS OTHERWISE SPECIFIED:		APVD ML ELLIS 9/8/93	NAME TERMINAL, RING TONGUE, PIDG™ WIRE SIZE, 22-16 AWG	
0 PLC ± - 1 PLC ± - 2 PLC ± 0.20[.008] 3 PLC ± - 4 PLC ± - ANGLES ± -		PRODUCT SPEC UL 486A	SIZE A3	
MATERIAL COPPER PER ASTM B-152 SLEEVE, RED NYLON		APPLICATION SPEC NOT AVAILABLE	CAGE CODE 00779	DRAWING NO C-36153
FINISH TIN PLATE PER ASTM B545		WEIGHT -	RESTRICTED TO -	
CUSTOMER DRAWING			SCALE NTS	SHEET 1 OF 2
			REV Z1	

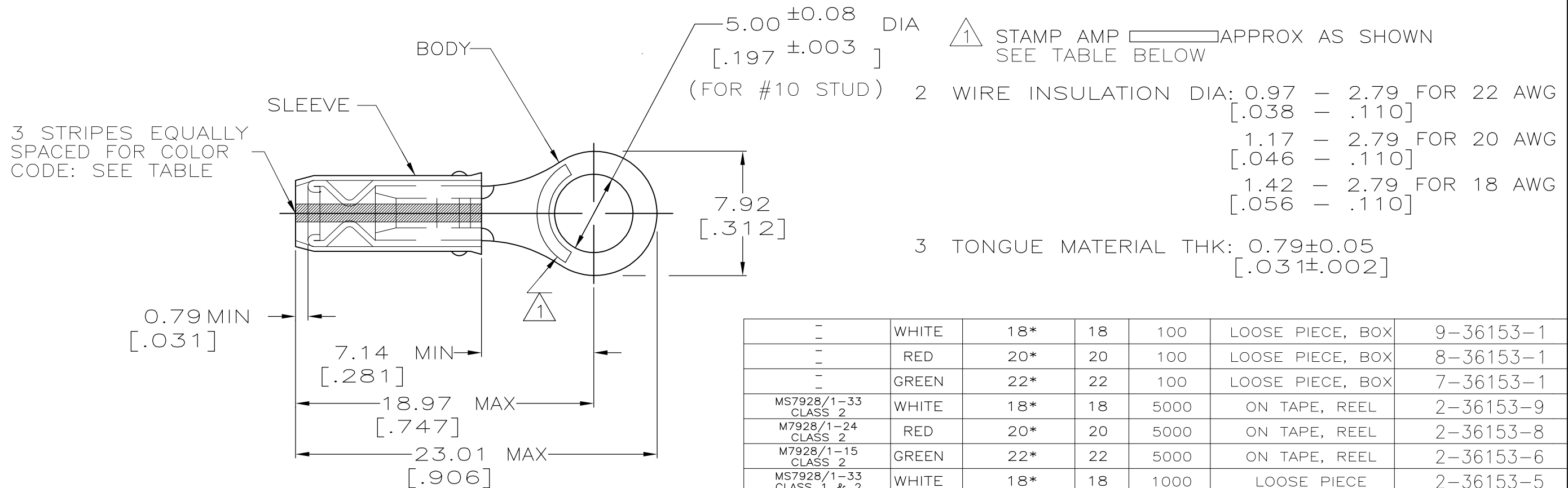
THIS DRAWING IS UNPUBLISHED. RELEASED FOR PUBLICATION  
 © COPYRIGHT - By - ALL RIGHTS RESERVED.

LOC	DIST	REVISIONS			
P	LTR	DESCRIPTION	DATE	DWN	APVD
G	14	-	SEE SHEET 1	-	-

**AMP**  
WIRE RANGE

---

SEE TABLE  
STRANDED



MILITARY P/N AND CLASS	STRIPE COLOR	STAMPING	WIRE SIZE	QUANTITY	PACKAGE TYPE	PART NO
-	WHITE	18*	18	100	LOOSE PIECE, BOX	9-36153-1
-	RED	20*	20	100	LOOSE PIECE, BOX	8-36153-1
-	GREEN	22*	22	100	LOOSE PIECE, BOX	7-36153-1
MS7928/1-33 CLASS 2	WHITE	18*	18	5000	ON TAPE, REEL	2-36153-9
M7928/1-24 CLASS 2	RED	20*	20	5000	ON TAPE, REEL	2-36153-8
M7928/1-15 CLASS 2	GREEN	22*	22	5000	ON TAPE, REEL	2-36153-6
MS7928/1-33 CLASS 1 & 2	WHITE	18*	18	1000	LOOSE PIECE	2-36153-5
M7928/1-24 CLASS 1 & 2	RED	20*	20	1000	LOOSE PIECE	2-36153-4
M7928/1-15 CLASS 1 & 2	GREEN	22*	22	1000	LOOSE PIECE	2-36153-3

**AMP INCORPORATED**  
CUSTOMER SERVICE SYSTEMS

FOR ADDITIONAL PRODUCT INFORMATION OR COPIES OF DRAWINGS AND TECHNICAL DOCUMENTS  
 FOR APPLICATION TOOLING INFORMATION  
 FOR ORDER ENTRY

PRODUCT INFORMATION CENTER  
1-800-522-6752

TOOLING ASSISTANCE CENTER  
1-800-722-1111

1-800-526-5142

MAX RECOMMENDED OPERATING TEMPERATURE: 105° C MAX

VOLTAGE RATING: 300 V MAX

WIRE RANGE: 22, 20, 18  
 CIRC MIL AREA: 0.38mm<sup>2</sup> [754], 0.60mm<sup>2</sup> [1,186], 0.96mm<sup>2</sup> [1,900]  
 STRANDED

THIS DRAWING IS A CONTROLLED DOCUMENT FOR AMP INCORPORATED. IT IS SUBJECT TO CHANGE AND THE CONTROLLING ENGINEERING ORGANIZATION SHOULD BE CONTACTED FOR THE LATEST REVISION.

THIS DRAWING IS A CONTROLLED DOCUMENT.

DIMENSIONS: mm[INCHES]

TOLERANCES UNLESS OTHERWISE SPECIFIED:  
 0 PLC ± -  
 1 PLC ± -  
 2 PLC ± 0.20[.008]  
 3 PLC ± -  
 4 PLC ANGLES ± -

MATERIAL: COPPER PER ASTM B-152 SLEEVE, RED NYLON  
 FINISH: TIN PLATE PER ASTM B545

DWN: DK SCHRUM 9/8/93  
 CHK: RE HERSEY 9/8/93  
 APVD: ML ELLIS 9/8/93

PRODUCT SPEC: -  
 APPLICATION SPEC: NOT AVAILABLE  
 WEIGHT: -

**STE** TE Connectivity

NAME: TERMINAL, RING TONGUE, I.R., PIDG™ WIRE SIZE, 22-16 AWG

SIZE: A3  
 CAGE CODE: 00779  
 DRAWING NO: C-36153  
 RESTRICTED TO: -

CUSTOMER DRAWING  
 SCALE: NTS  
 SHEET: 2 of 2  
 REV: Z1