



Chipsmall Limited consists of a professional team with an average of over 10 year of expertise in the distribution of electronic components. Based in Hongkong, we have already established firm and mutual-benefit business relationships with customers from,Europe,America and south Asia,supplying obsolete and hard-to-find components to meet their specific needs.

With the principle of “Quality Parts,Customers Priority,Honest Operation,and Considerate Service”,our business mainly focus on the distribution of electronic components. Line cards we deal with include Microchip,ALPS,ROHM,Xilinx,Pulse,ON,Everlight and Freescale. Main products comprise IC,Modules,Potentiometer,IC Socket,Relay,Connector.Our parts cover such applications as commercial,industrial, and automotives areas.

We are looking forward to setting up business relationship with you and hope to provide you with the best service and solution. Let us make a better world for our industry!



Contact us

Tel: +86-755-8981 8866 Fax: +86-755-8427 6832

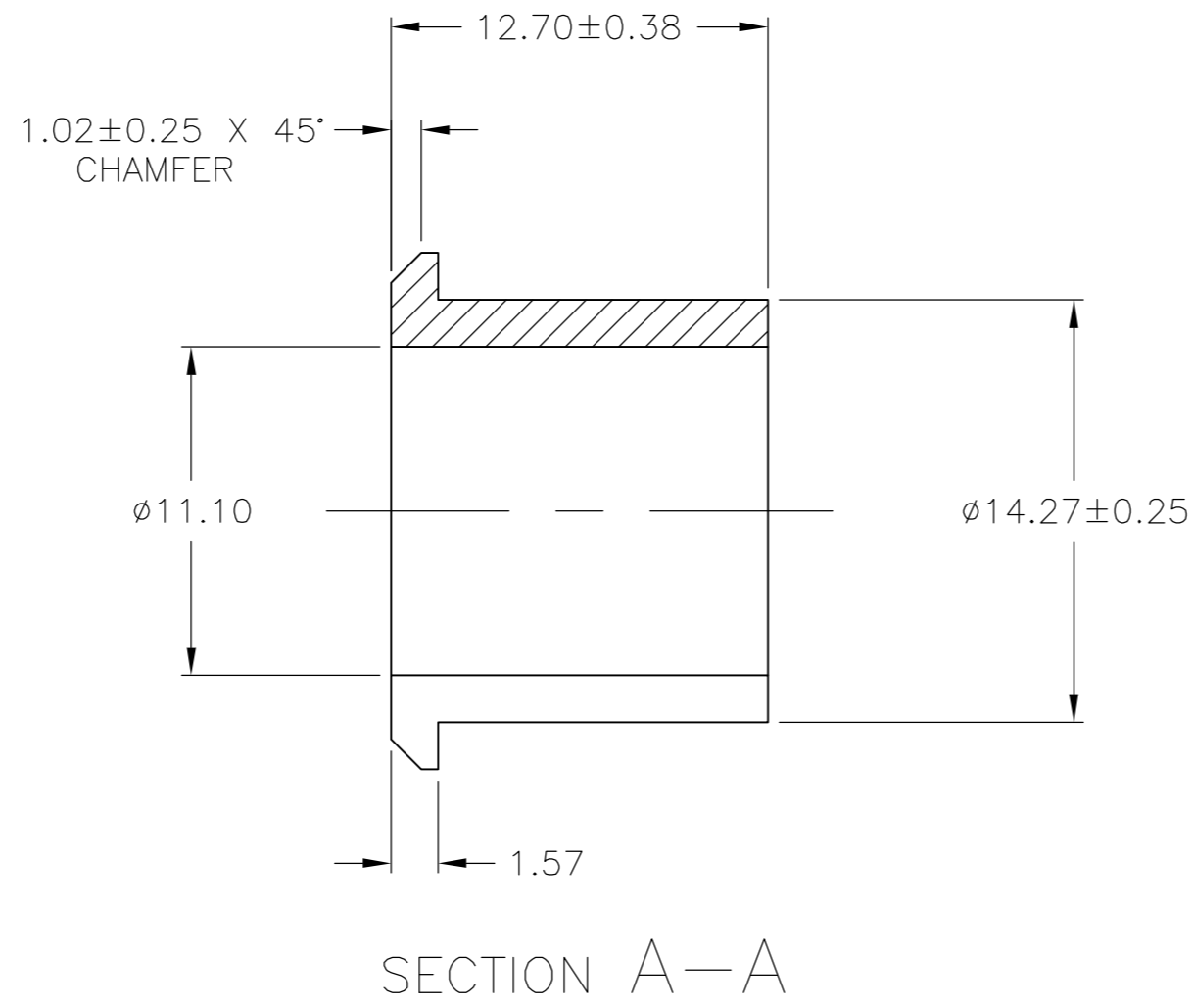
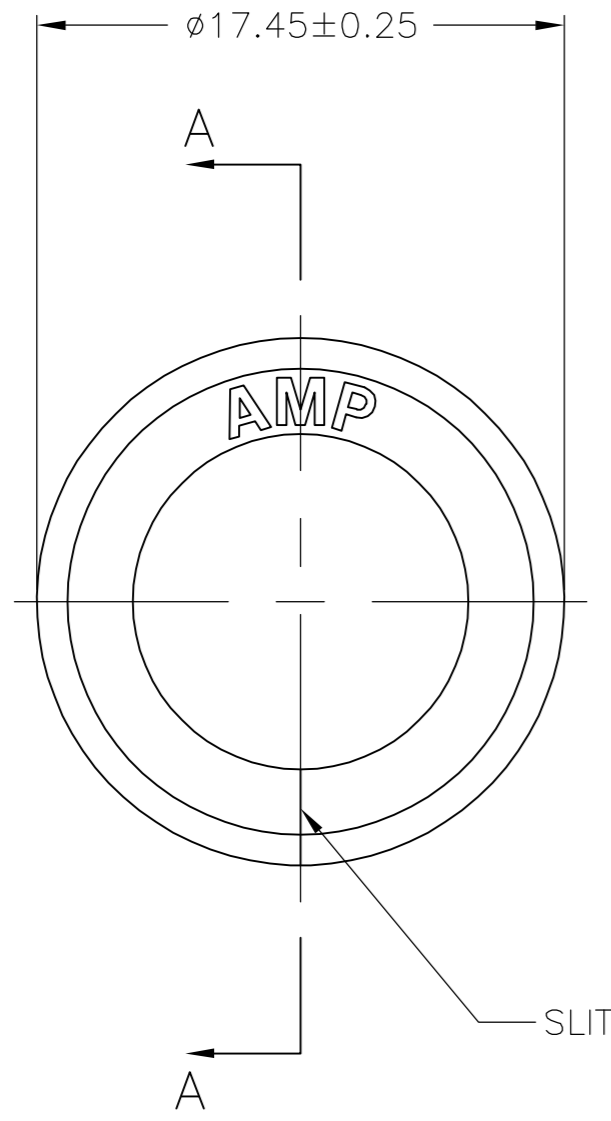
Email & Skype: info@chipsmall.com Web: www.chipsmall.com

Address: A1208, Overseas Decoration Building, #122 Zhenhua RD., Futian, Shenzhen, China

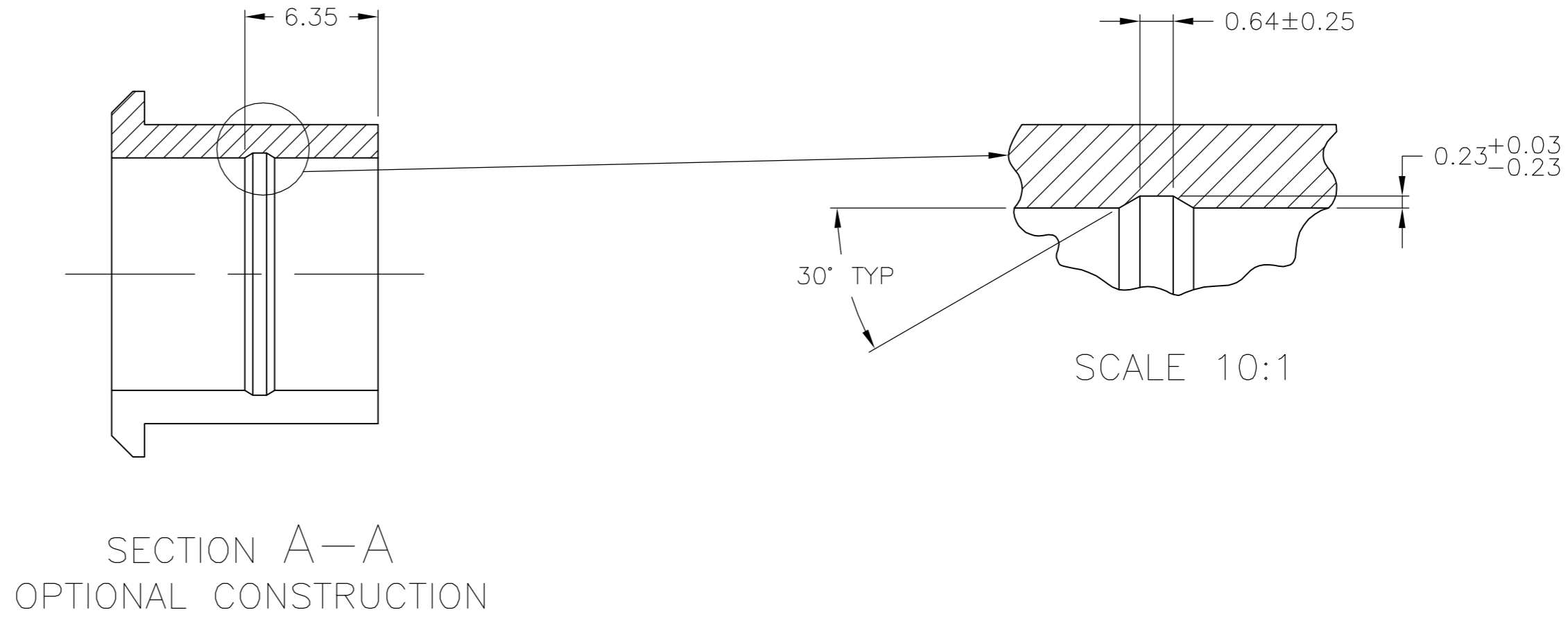
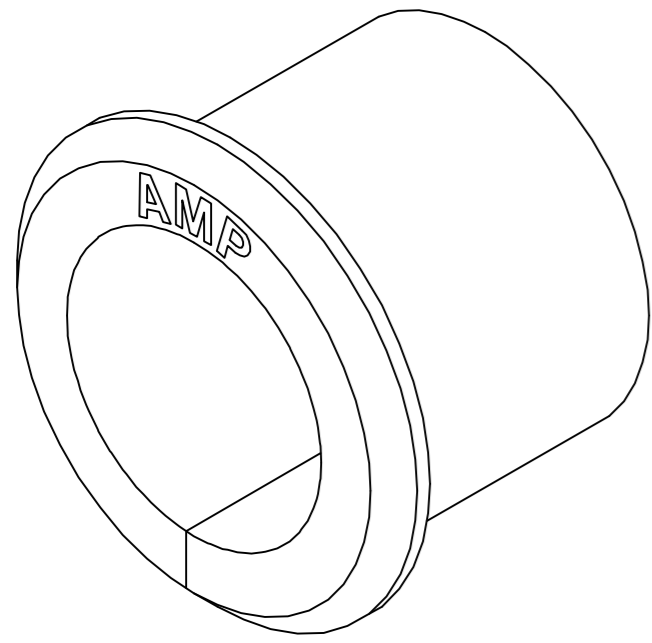


THIS DRAWING IS UNPUBLISHED. RELEASED FOR PUBLICATION
 © COPYRIGHT BY TYCO ELECTRONICS CORPORATION. ALL RIGHTS RESERVED.

LOC		DIST		REVISIONS			
P	LTR	DESCRIPTION	DATE	DWN	APVD		
	G	ECO-06-012706	09JUN06	BSV	JR		



1. USE WITH STRAIN RELIEF 480594.
2. MOLDING COMPOUND PVC, FLEXIBLE, 55/75 DUROMETER (B SCALE), BLACK.
3. MOLDING COMPOUND PVC, FLEXIBLE, BLACK.



3-DIMENSIONAL MODEL NTS

SECTION A-A
OPTIONAL CONSTRUCTION

SUPERCEDED BY 2-380935-0	3	2-380935-0
	2	1-380935-0
	MATERIAL	PART NUMBER

MM	IN	MM	IN	MM	IN
0.38	.015	11.10	.437	-	-
0.25	.010	6.35	.250	-	-
0.23	.009	1.57	.062	17.45	.687
0.13	.005	1.02	.040	14.27	.562
0.03	.001	0.64	.025	12.70	.500

CONVERSION TABLE

METRIC

THIS DRAWING IS A CONTROLLED DOCUMENT.		DWN K. WHITAKER 24MAR06	Tyco Electronics Corporation Harrisburg, Pa 17105-3608	
DIMENSIONS: mm		CHK C. JONES 24MAR06	NAME C. JONES	
TOLERANCES UNLESS OTHERWISE SPECIFIED: 0 PLC ± - 1 PLC ± - 2 PLC ± - 3 PLC ± 0.13 4 PLC ± - ± 1'0"		APVD C. JONES 24MAR06	PRODUCT SPEC -	
MATERIAL SEE TABLE		FINISH -	APPLICATION SPEC -	WEIGHT -
		CUSTOMER DRAWING	SIZE A2	CAGE CODE 00779
			DRAWING NO C=380935	RESTRICTED TO -
			SCALE 4:1	SHEET 1 OF 1
			REV G	

380935