



Chipsmall Limited consists of a professional team with an average of over 10 year of expertise in the distribution of electronic components. Based in Hongkong, we have already established firm and mutual-benefit business relationships with customers from,Europe,America and south Asia,supplying obsolete and hard-to-find components to meet their specific needs.

With the principle of “Quality Parts,Customers Priority,Honest Operation,and Considerate Service”,our business mainly focus on the distribution of electronic components. Line cards we deal with include Microchip,ALPS,ROHM,Xilinx,Pulse,ON,Everlight and Freescale. Main products comprise IC,Modules,Potentiometer,IC Socket,Relay,Connector.Our parts cover such applications as commercial,industrial, and automotives areas.

We are looking forward to setting up business relationship with you and hope to provide you with the best service and solution. Let us make a better world for our industry!



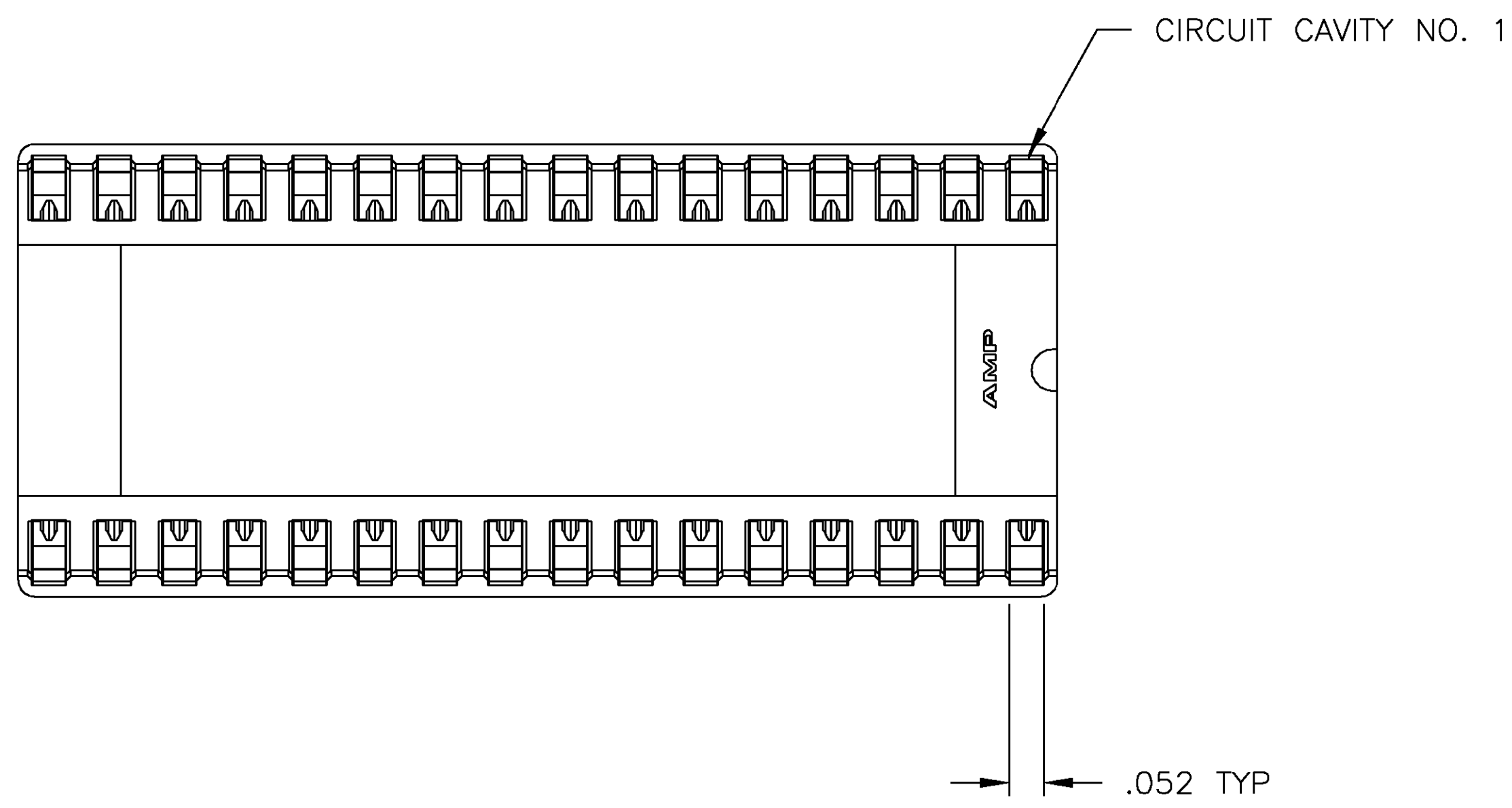
Contact us

Tel: +86-755-8981 8866 Fax: +86-755-8427 6832

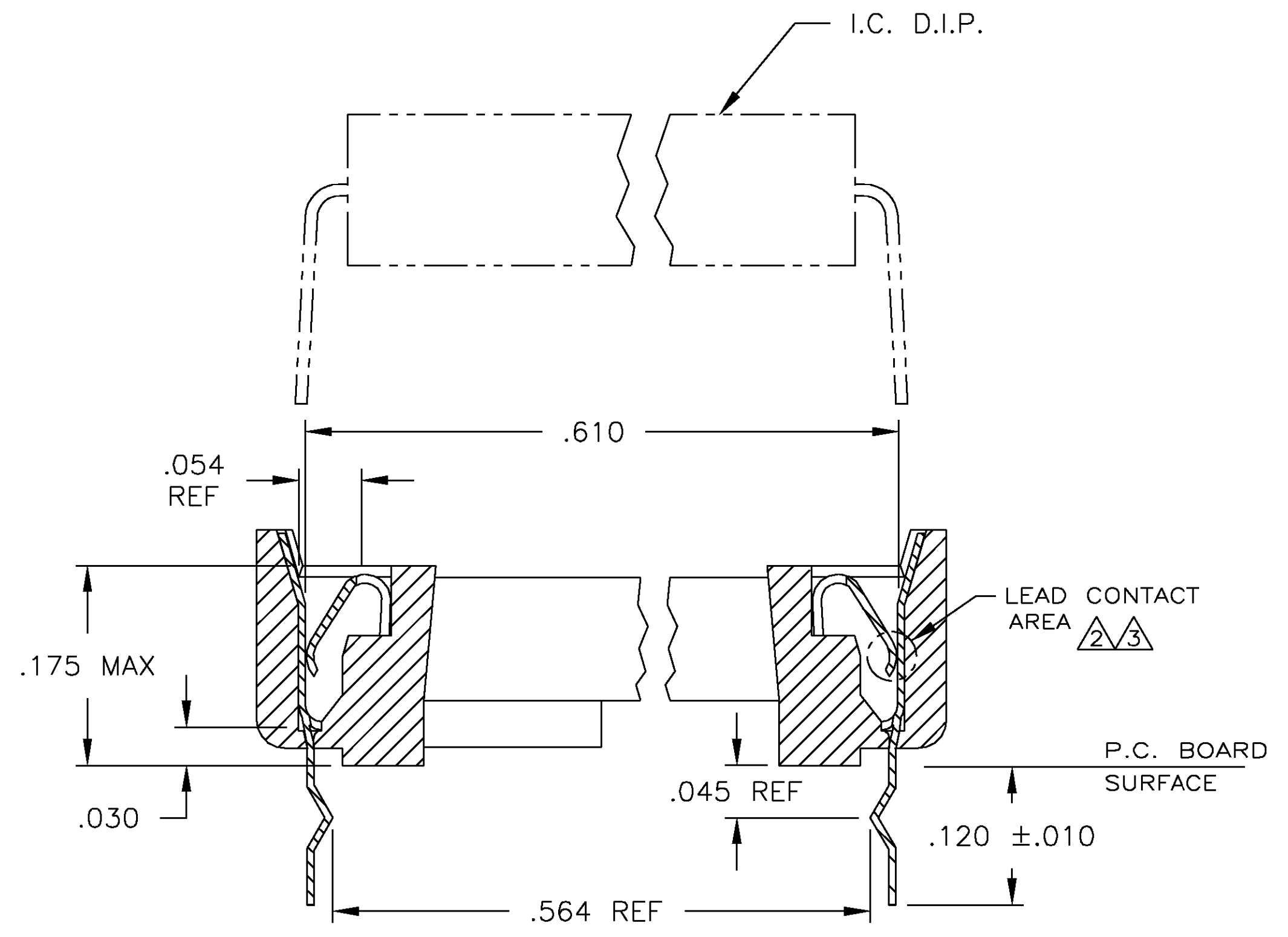
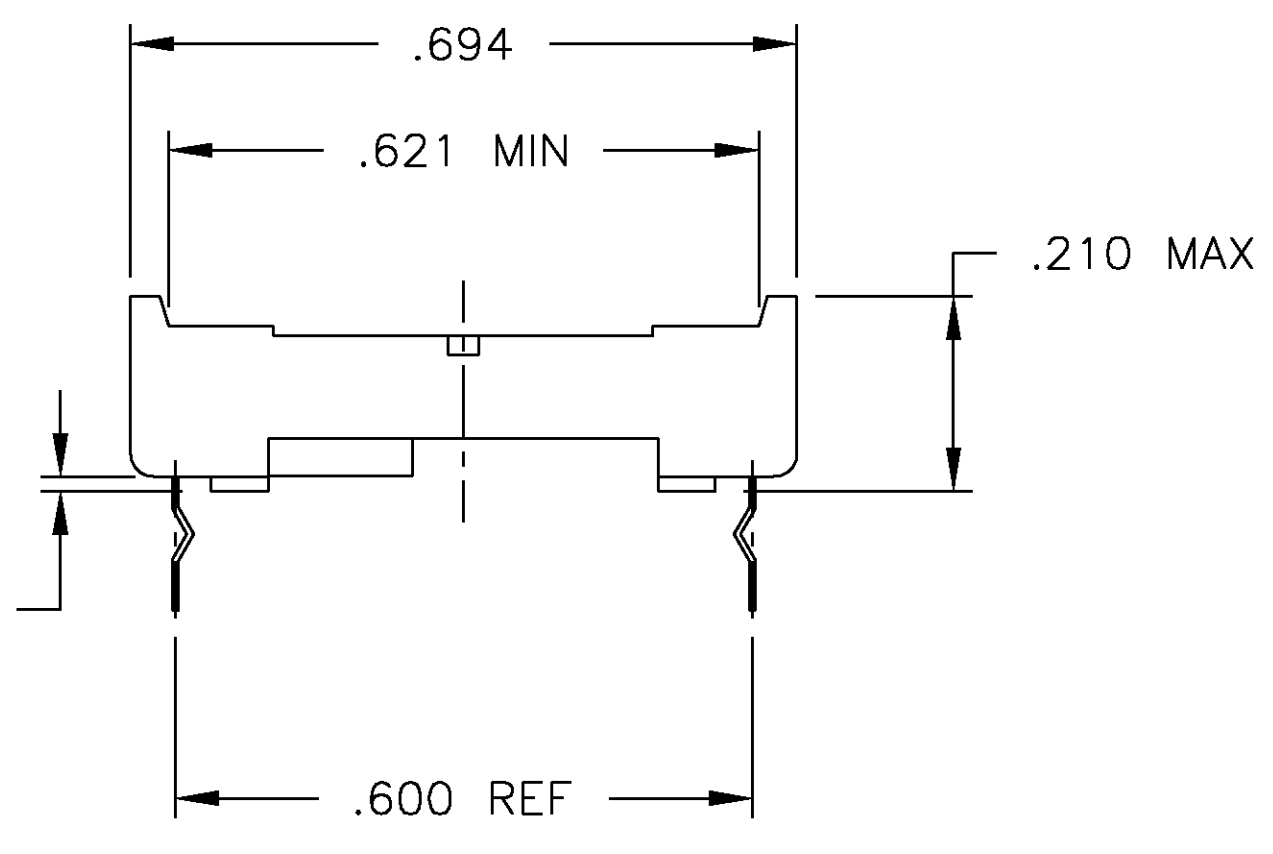
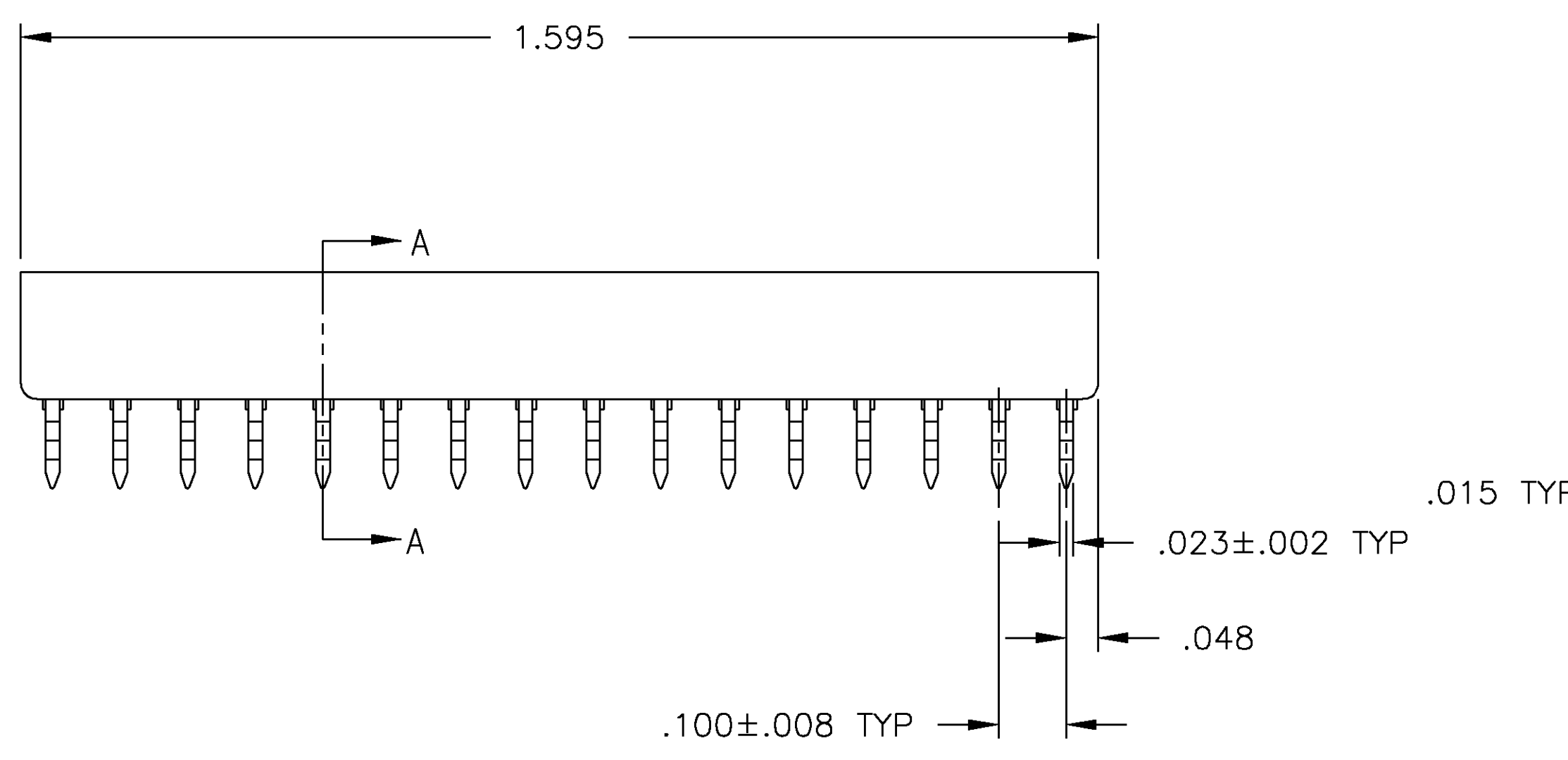
Email & Skype: info@chipsmall.com Web: www.chipsmall.com

Address: A1208, Overseas Decoration Building, #122 Zhenhua RD., Futian, Shenzhen, China

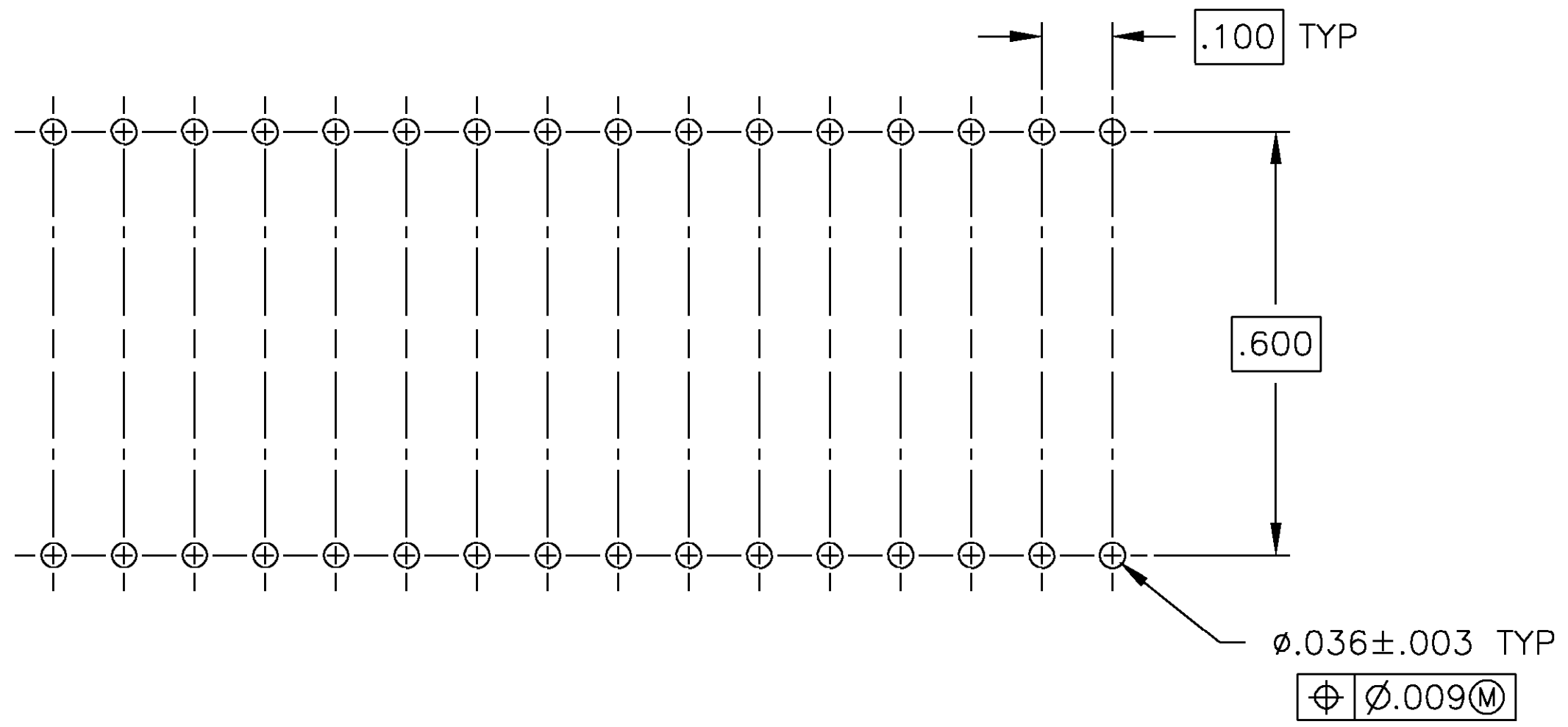




1. RECEPTACLE ACCEPTS A .008-.014 THICK I.C. LEAD.
2. TWO .000030 MIN THK. GOLD STRIPES IN CONTACT AREA WITH TIN-LEAD (93/7) ON SOLDER LEGS, BALANCE OF CONTACT NICKEL PLATED.
3. TWO .000015 MIN THK. GOLD STRIPES IN CONTACT AREA WITH TIN-LEAD (93/7) ON SOLDER LEGS, BALANCE OF CONTACT NICKEL PLATED.
4. TUBE LOADED.



SECTION A-A
SCALE 10:1



RECOMMENDED MOUNTING HOLE PATTERN

OBSOLETE	TINNED	PHOS.BRZ. .006 THK	GLASS-FILLED THERMOPLASTIC, 94V-O, BLACK	2-382189-5
SUPERSEDED BY 2-382189-2	2	PHOS.BRZ.	GLASS-FILLED THERMOPLASTIC, 94V-O, BLACK	2-382189-4
OBSOLETE	TINNED	PHOS.BRZ.	GLASS-FILLED THERMOPLASTIC, 94V-O, BLACK	2-382189-3
	3	BE.CU.	GLASS-FILLED THERMOPLASTIC, 94V-O, BLACK	2-382189-2
	4	BE.CU.	GLASS-FILLED THERMOPLASTIC, 94V-O, BLACK	2-382189-1
CONTACT FINISH		CONTACT MAT'L	HOUSING MATERIAL	PART NO.

THIS DRAWING IS A CONTROLLED DOCUMENT.

DW	R BROWN	17NOV00
OK	H WYNKOOP	17NOV00
APVD	H WYNKOOP	17NOV00
NAME	SOCKET ASSY, DIP, OTC, RET LEG, 32 POS, DIPLOMATE DL	
PRODUCT SPEC	108-1066	
APPLICATION SPEC	114-1049	
SIZE	A1	00779
CAGE CODE	382189	
DRAWING NO	382189	
RESTRICTED TO	-	
MATERIAL	SEE TABLE	FINISH
WEIGHT	-	SCALE
CUSTOMER DRAWING	SCALE 5:1	SHEET 1 OF 1