



Chipsmall Limited consists of a professional team with an average of over 10 year of expertise in the distribution of electronic components. Based in Hongkong, we have already established firm and mutual-benefit business relationships with customers from,Europe,America and south Asia,supplying obsolete and hard-to-find components to meet their specific needs.

With the principle of "Quality Parts,Customers Priority,Honest Operation,and Considerate Service",our business mainly focus on the distribution of electronic components. Line cards we deal with include Microchip,ALPS,ROHM,Xilinx,Pulse,ON,Everlight and Freescale. Main products comprise IC,Modules,Potentiometer,IC Socket,Relay,Connector.Our parts cover such applications as commercial,industrial, and automotives areas.

We are looking forward to setting up business relationship with you and hope to provide you with the best service and solution. Let us make a better world for our industry!



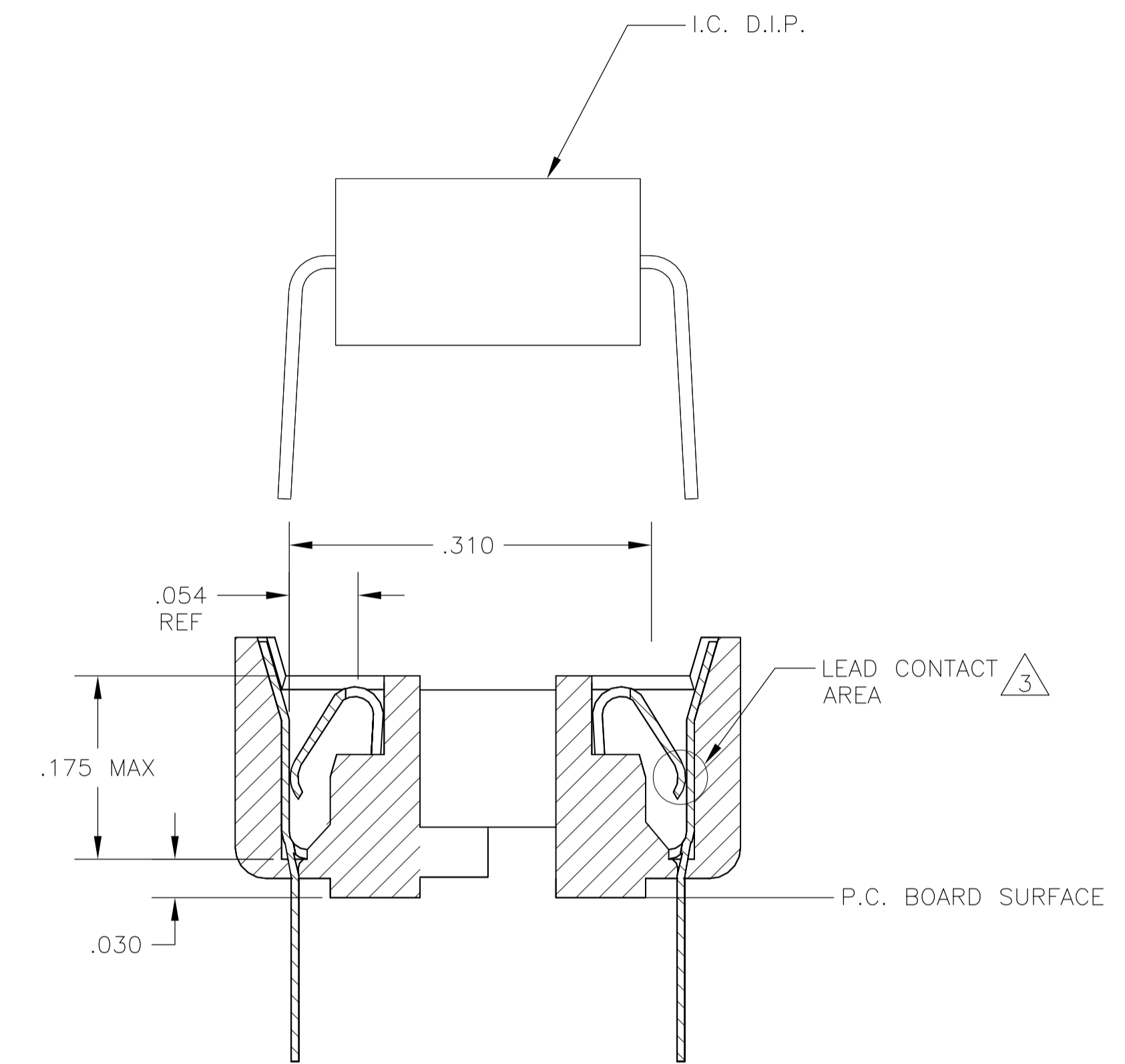
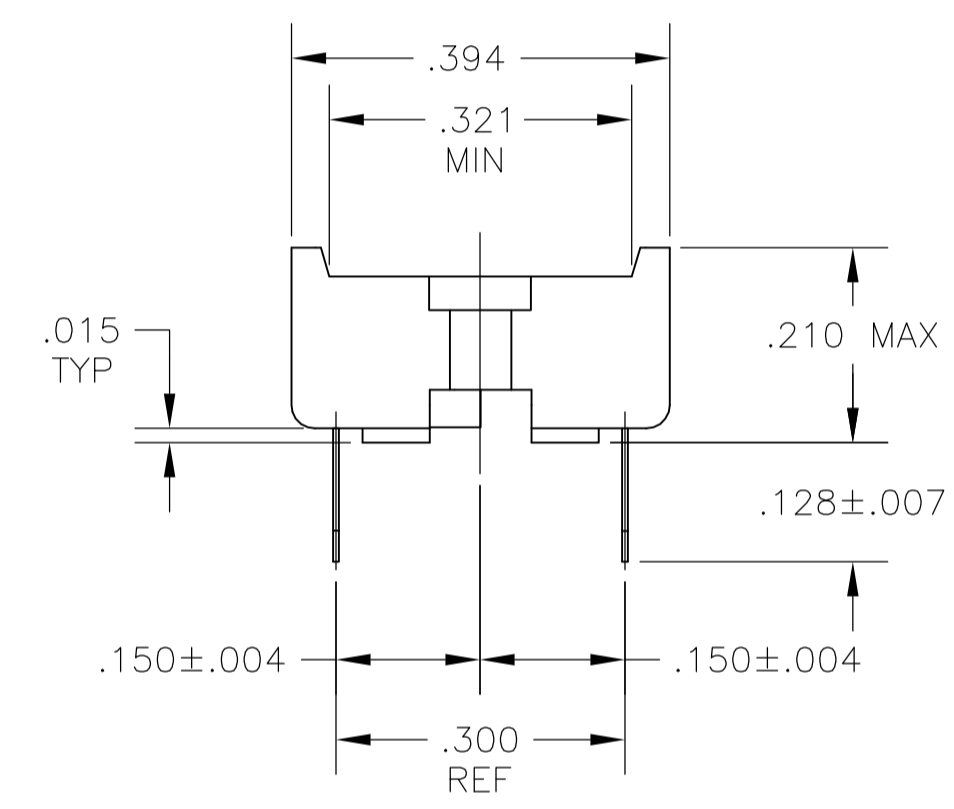
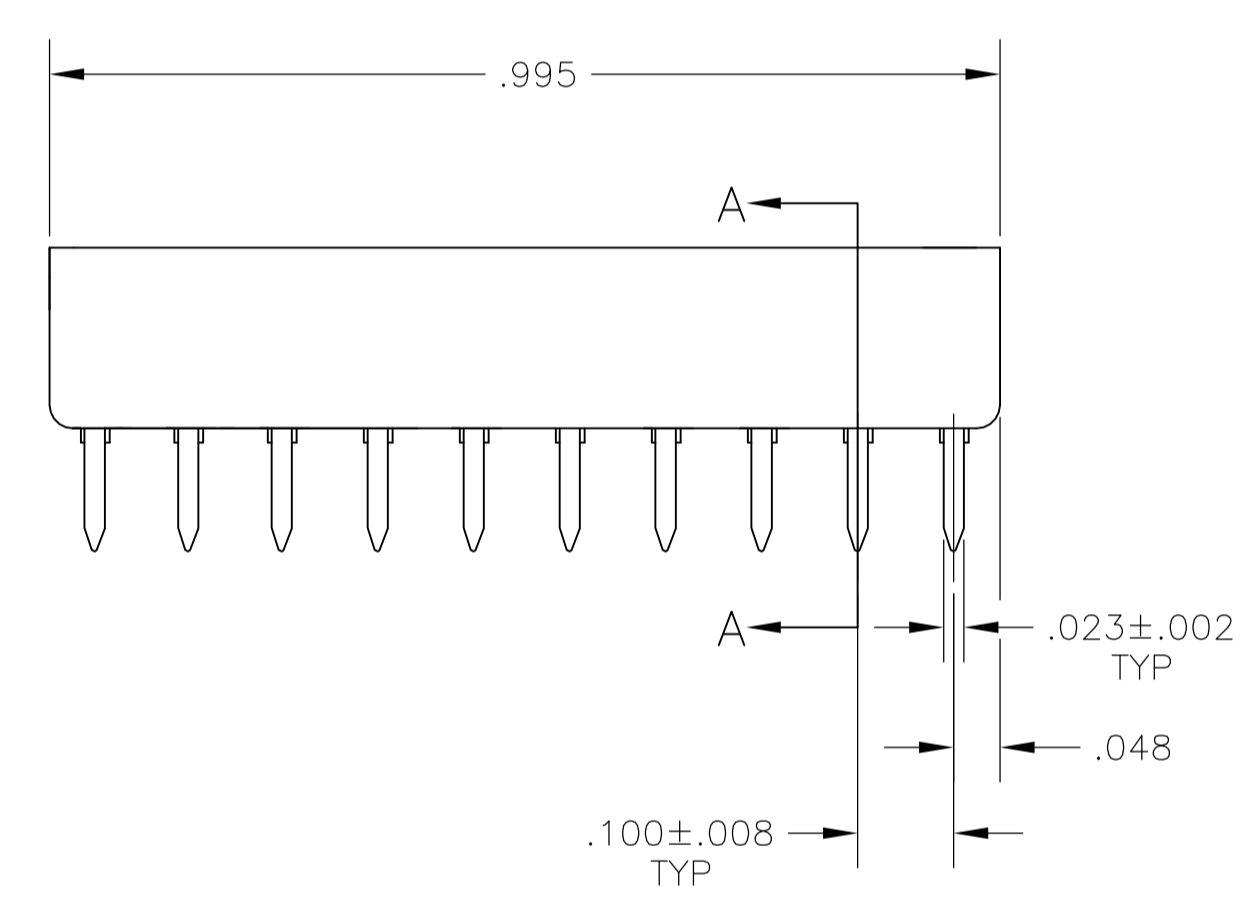
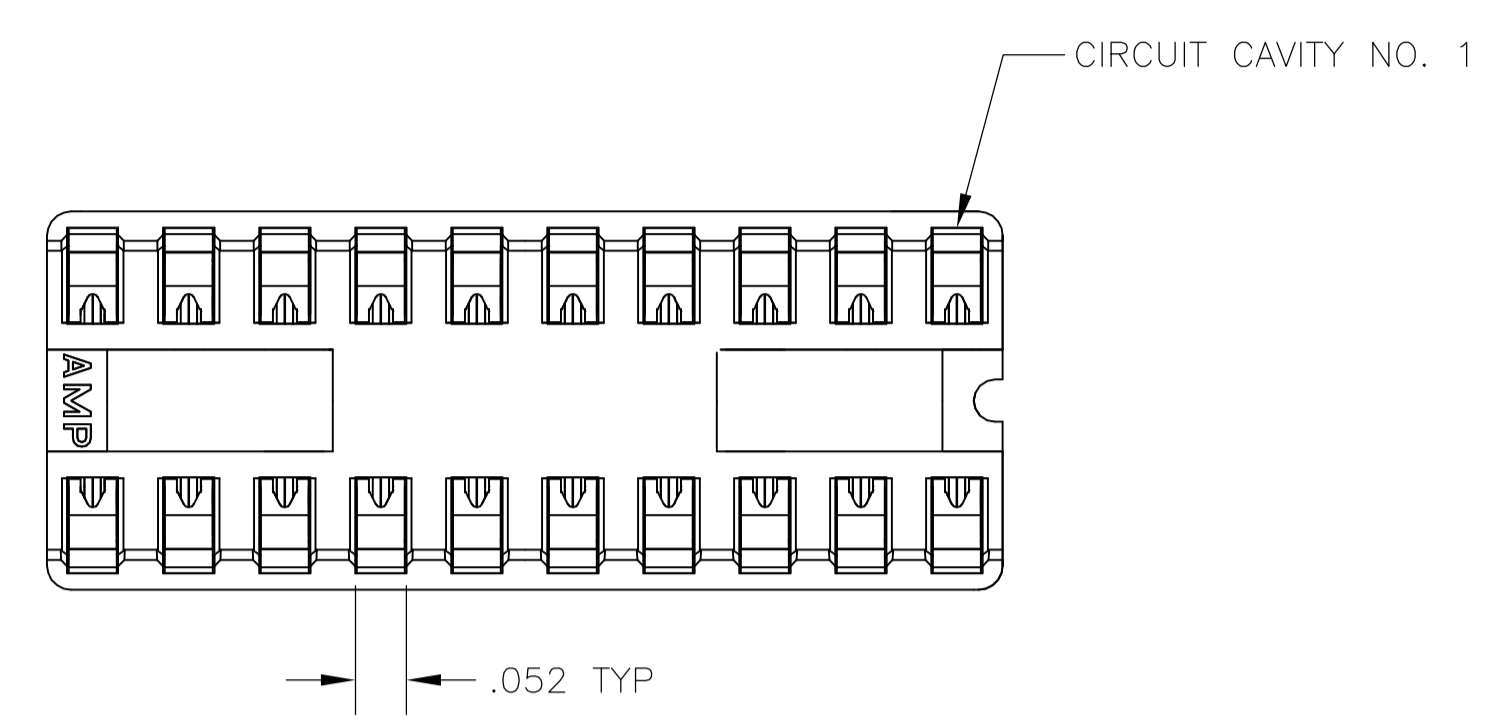
Contact us

Tel: +86-755-8981 8866 Fax: +86-755-8427 6832

Email & Skype: info@chipsmall.com Web: www.chipsmall.com

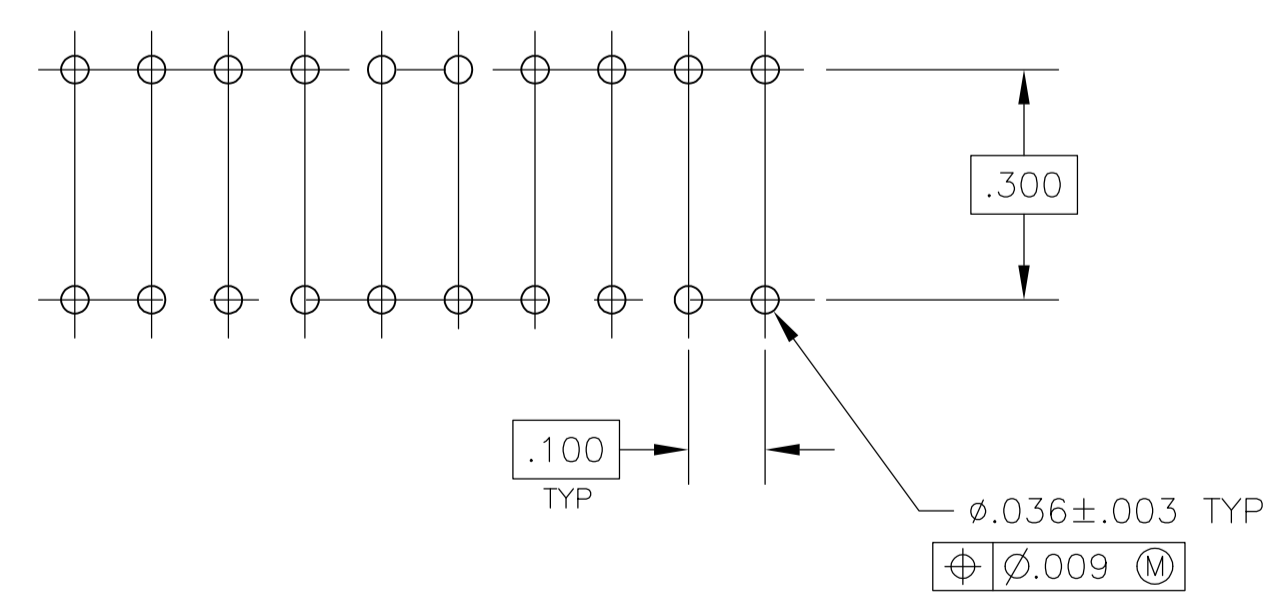
Address: A1208, Overseas Decoration Building, #122 Zhenhua RD., Futian, Shenzhen, China





- RECEPTACLE ACCEPTS A .008-.014 THICK I.C. LEAD.
- TUBE LOADED.
- TWO .000015 MIN THK. GOLD STRIPES IN CONTACT AREA WITH TIN-LEAD (93/7) ON SOLDER LEGS, BALANCE OF CONTACT NICKEL PLATED.

SECTION A-A
SCALE 10:1



RECOMMENDED MOUNTING HOLE PATTERN
SCALE 4:1

OBSOLETE	△3	PHOS. BRZ	BROWN GLASS-FILLED PCT	2-382465-4
	TINNED	PHOS. BRZ	BLACK THERMO PLASTIC	2-382465-3
OBSOLETE	TINNED	BE.CU.	BROWN GLASS-FILLED PCT	2-382465-1
	CONTACT FINISH	CONTACT MAT'L	HOUSING MATERIAL	PART NO.

THIS DRAWING IS A CONTROLLED DOCUMENT.		DIN	DEMARCO	Tyco Electronics Corporation	
		CHK	DEMARCO	Harrisburg, PA 17105-3608	
		APP'D	DEMARCO	NAME	
		PRODUCT SPEC		SOCKET ASSY, DIP, HT, 20 POS, DIPLOMATE DL	
		APPLICATION SPEC		SIZE	CAGE CODE
		ANGLES		A1	00779
		FINISH		WEIGHT	382465
		SEE TABLE		CUSTOMER DRAWING	
		SCALE	5:1	SHEET	1 OF 1
		REV	G1		