



Chipsmall Limited consists of a professional team with an average of over 10 year of expertise in the distribution of electronic components. Based in Hongkong, we have already established firm and mutual-benefit business relationships with customers from,Europe,America and south Asia,supplying obsolete and hard-to-find components to meet their specific needs.

With the principle of "Quality Parts,Customers Priority,Honest Operation,and Considerate Service",our business mainly focus on the distribution of electronic components. Line cards we deal with include Microchip,ALPS,ROHM,Xilinx,Pulse,ON,Everlight and Freescale. Main products comprise IC,Modules,Potentiometer,IC Socket,Relay,Connector.Our parts cover such applications as commercial,industrial, and automotives areas.

We are looking forward to setting up business relationship with you and hope to provide you with the best service and solution. Let us make a better world for our industry!



Contact us

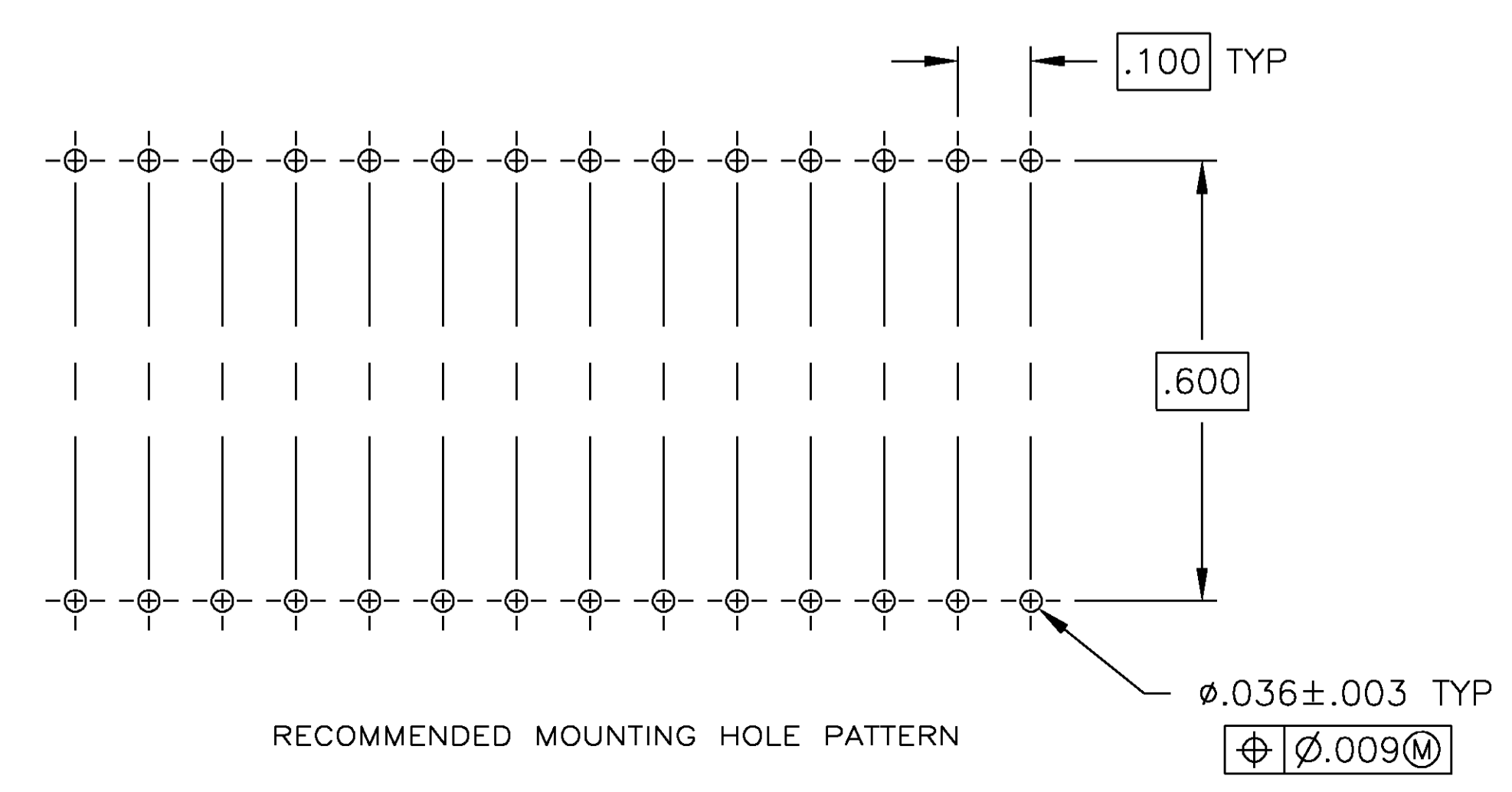
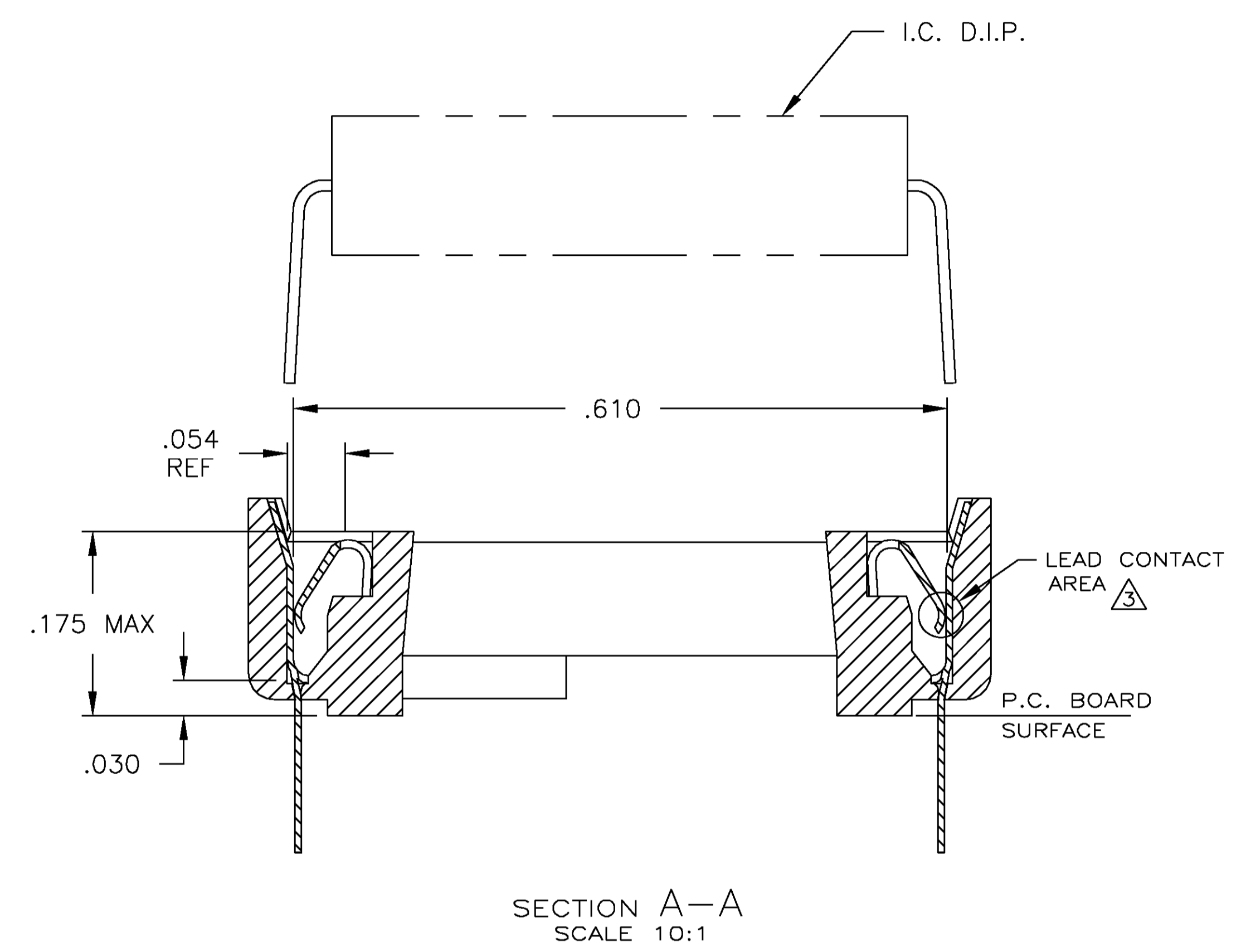
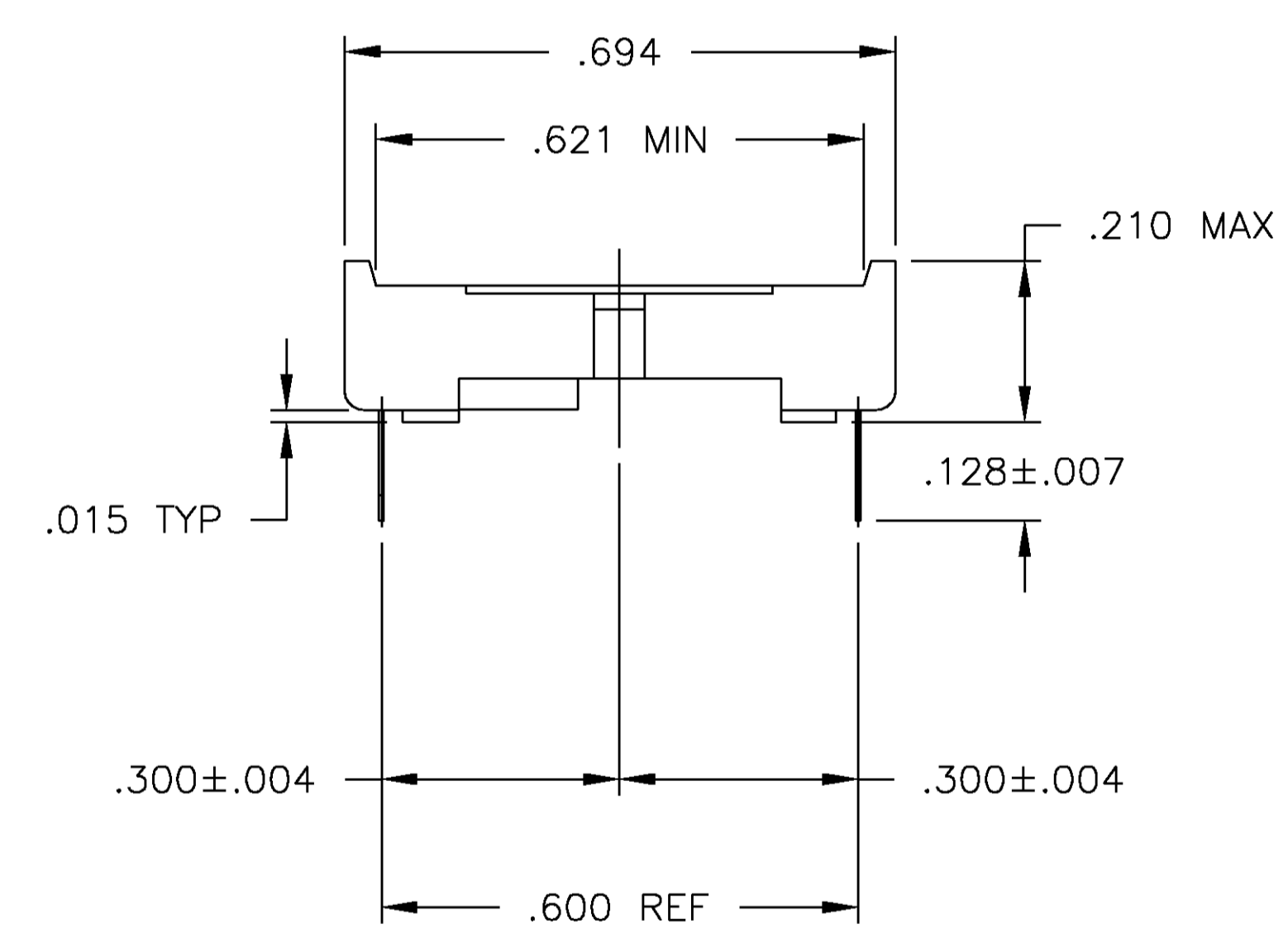
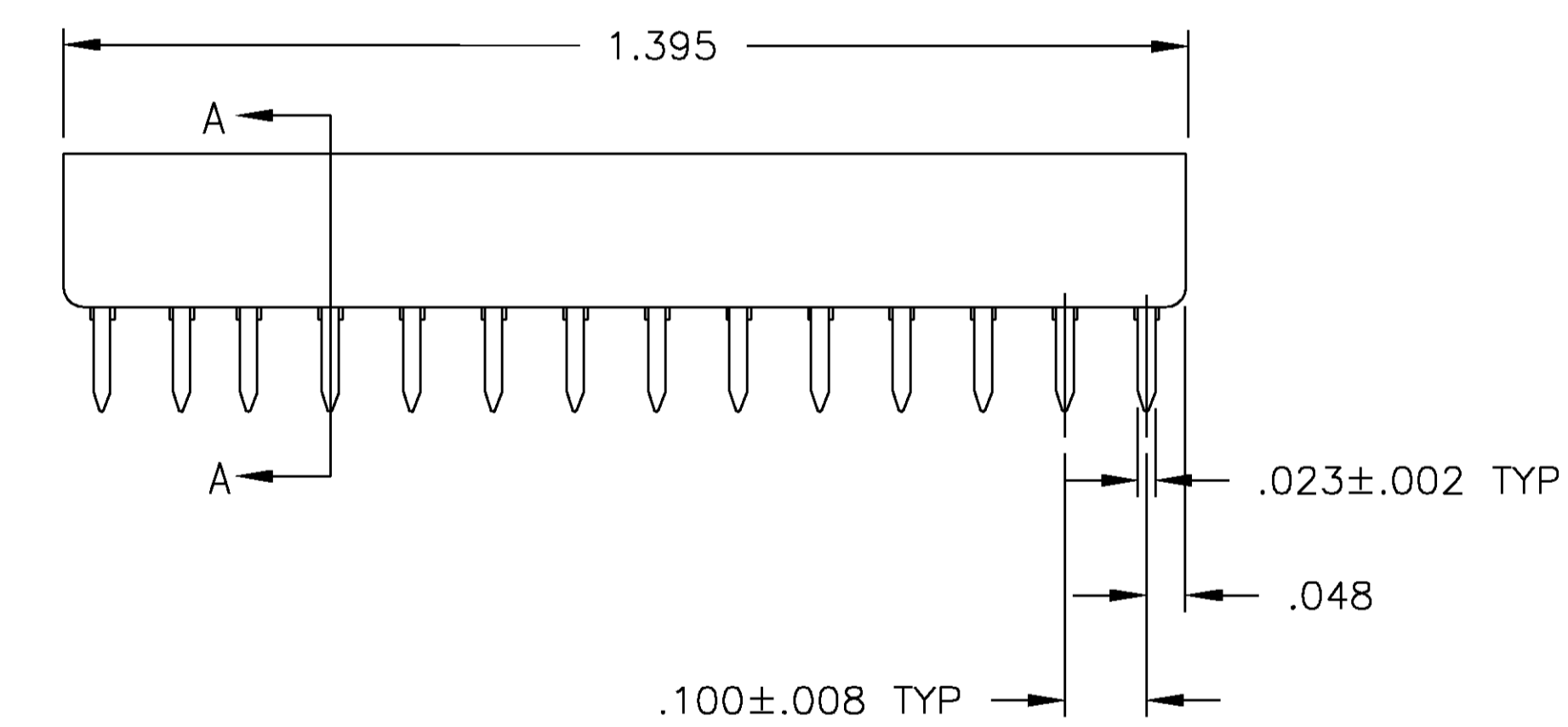
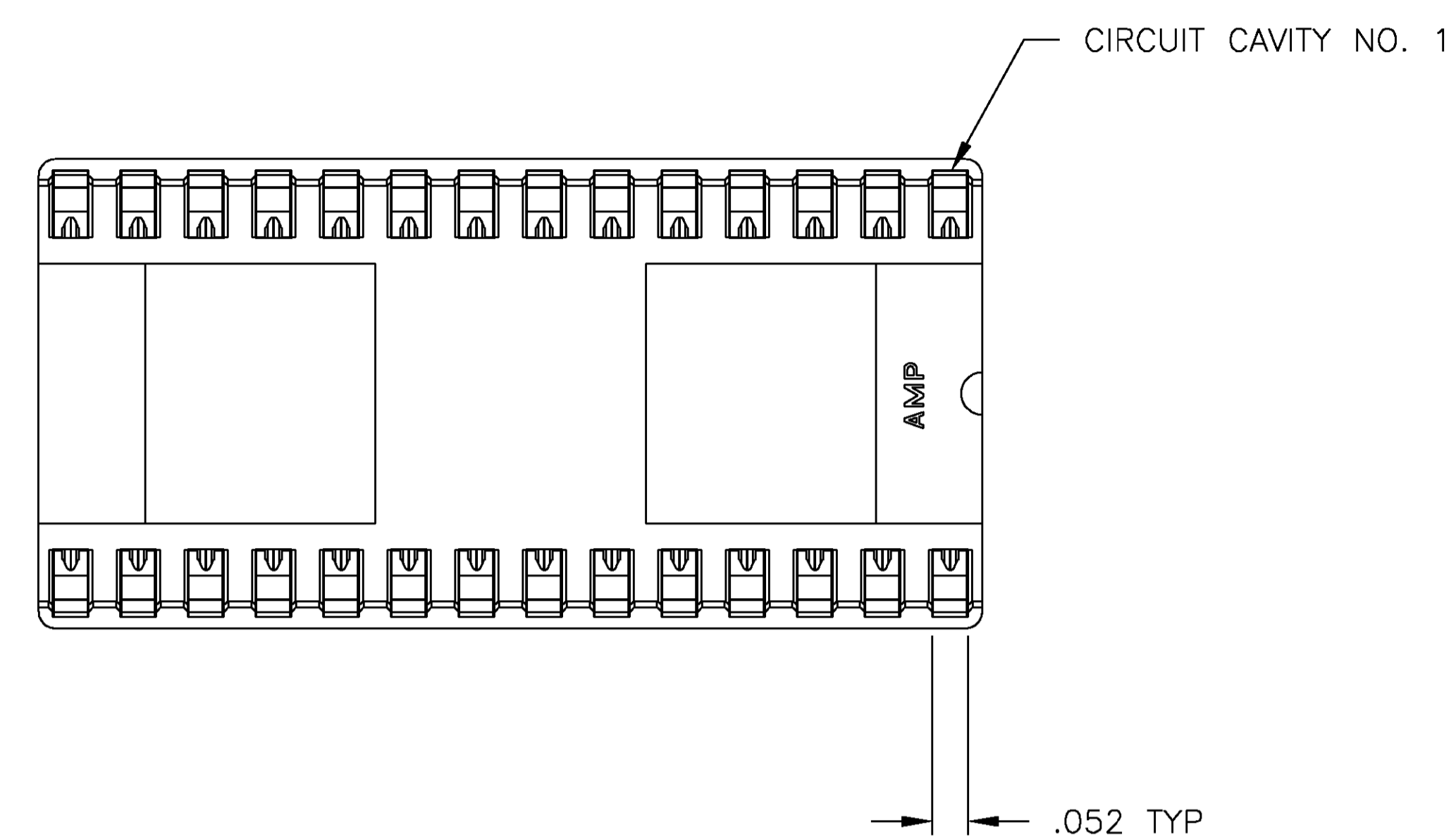
Tel: +86-755-8981 8866 Fax: +86-755-8427 6832

Email & Skype: info@chipsmall.com Web: www.chipsmall.com

Address: A1208, Overseas Decoration Building, #122 Zhenhua RD., Futian, Shenzhen, China



1. RECEPTACLE ACCEPTS A .008-.014 THICK I.C. LEAD.
2. TUBE LOADED.
3. TWO .000015 MIN THK. GOLD STRIPES IN CONTACT AREA WITH TIN-LEAD (93/7) ON SOLDER LEGS, BALANCE OF CONTACT NICKEL PLATED.



OBSELETE	3	PHOS. BRZ	BROWN GLASS-FILLED PCT	2-382467-4
		TINNED	PHOS. BRZ	2-382467-3
		TINNED	BE.CU.	2-382467-1
		CONTACT FINISH	CONTACT MAT'L	HOUSING MATERIAL
				PART NO.

THIS DRAWING IS A CONTROLLED DOCUMENT.		DRW	R BROWN	DATE	04JAN01
DIMENSIONS: INCHES		CHK	H WYNKOOP	DATE	17NOV00
TOLERANCES UNLESS OTHERWISE SPECIFIED:		APPD	H WYNKOOP	NAME	SOCKET ASSY, DIP, HT, 28 POS, DIPLOMATE™ DL
0 PLC	± -	PRODUCT SPEC			
1 PLC	± -	APPLICATION SPEC			
2 PLC	± -				
3 PLC	± .005				
4 PLC	± -				
ANGLES	± -				
MATERIAL	SEE TABLE	FINISH	SEE TABLE	WEIGHT	-
		SIZE	A1	CAGE CODE	00779
		DRAWING NO	382467	RESTRICTED TO	-
		CUSTOMER DRAWING		SCALE	5:1
				SHEET	1 OF 1
				REV	G