



Chipsmall Limited consists of a professional team with an average of over 10 year of expertise in the distribution of electronic components. Based in Hongkong, we have already established firm and mutual-benefit business relationships with customers from,Europe,America and south Asia,supplying obsolete and hard-to-find components to meet their specific needs.

With the principle of “Quality Parts,Customers Priority,Honest Operation,and Considerate Service”,our business mainly focus on the distribution of electronic components. Line cards we deal with include Microchip,ALPS,ROHM,Xilinx,Pulse,ON,Everlight and Freescale. Main products comprise IC,Modules,Potentiometer,IC Socket,Relay,Connector.Our parts cover such applications as commercial,industrial, and automotives areas.

We are looking forward to setting up business relationship with you and hope to provide you with the best service and solution. Let us make a better world for our industry!



Contact us

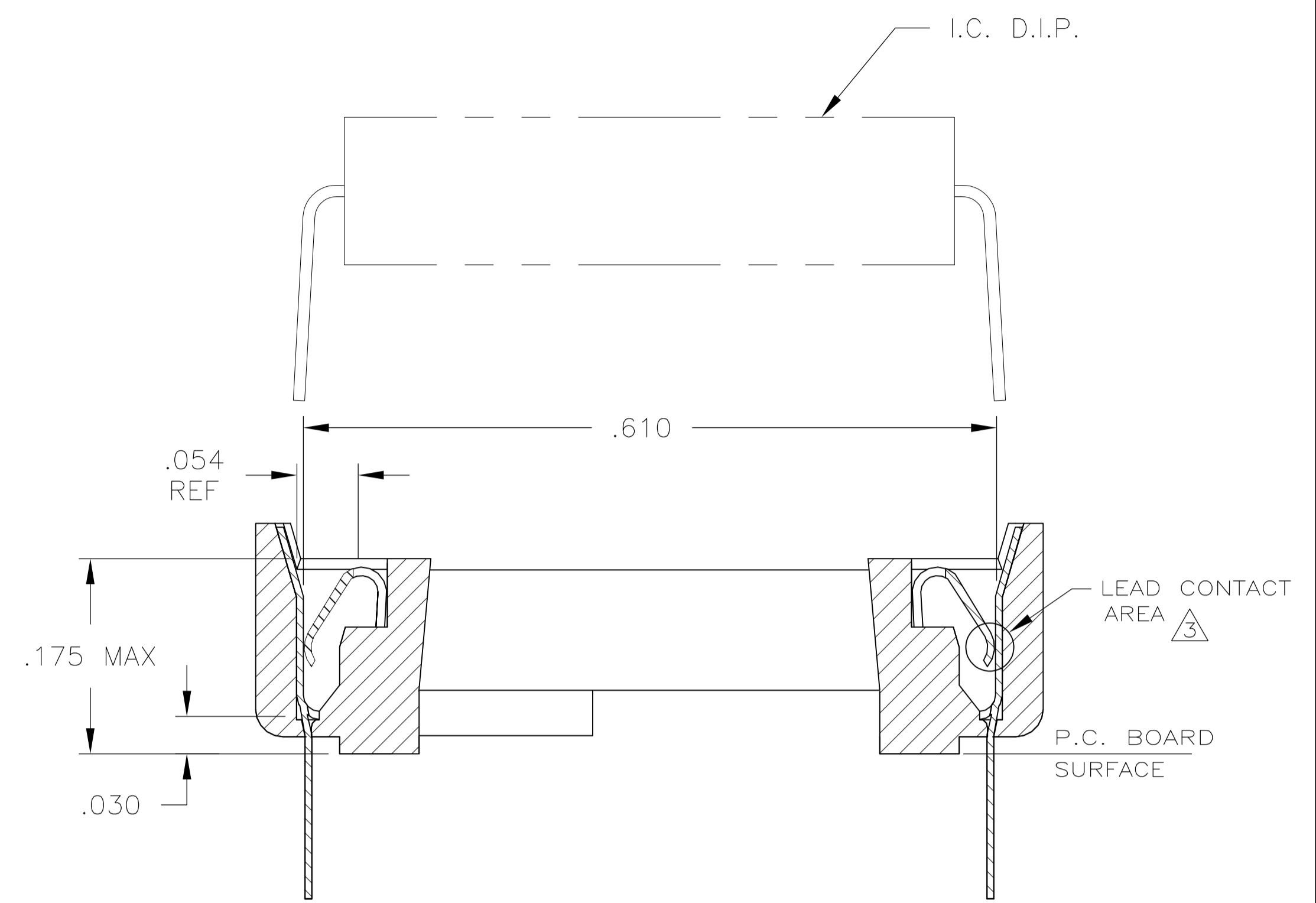
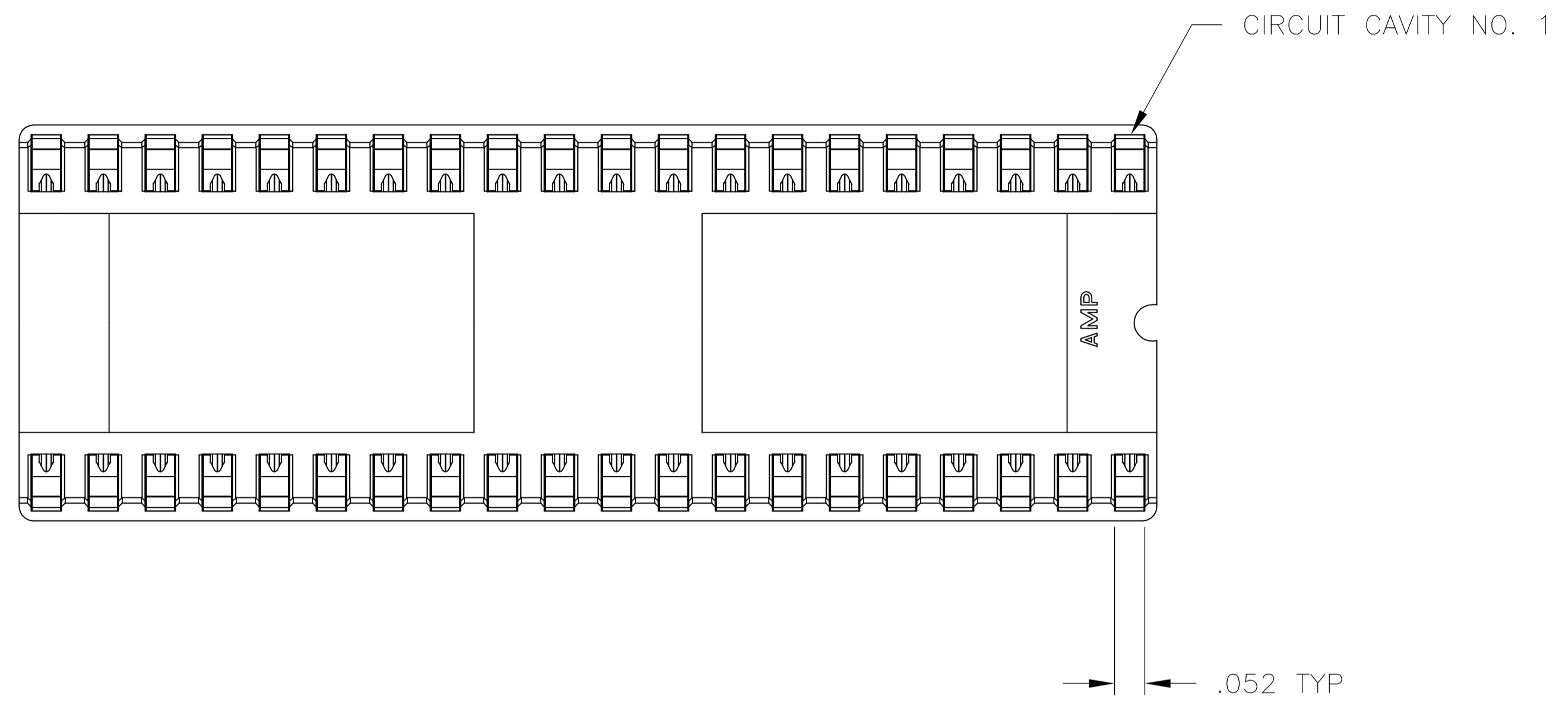
Tel: +86-755-8981 8866 Fax: +86-755-8427 6832

Email & Skype: info@chipsmall.com Web: www.chipsmall.com

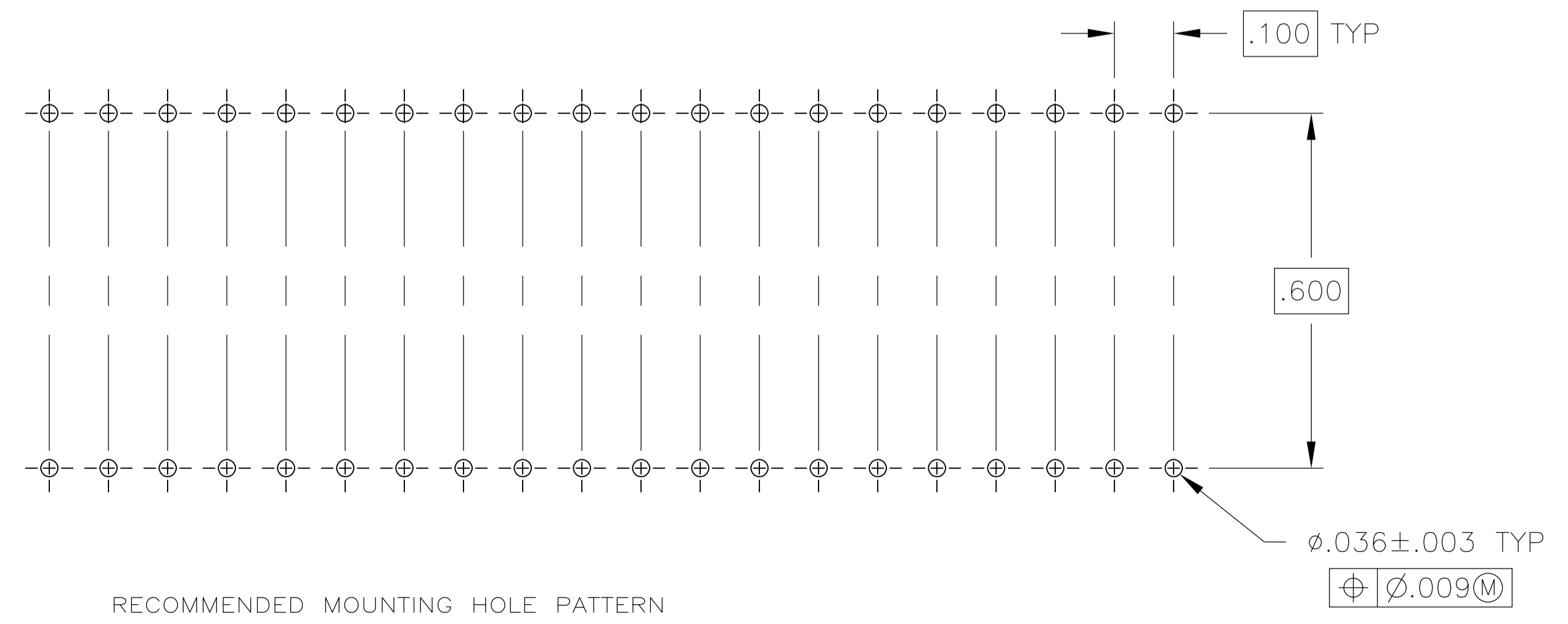
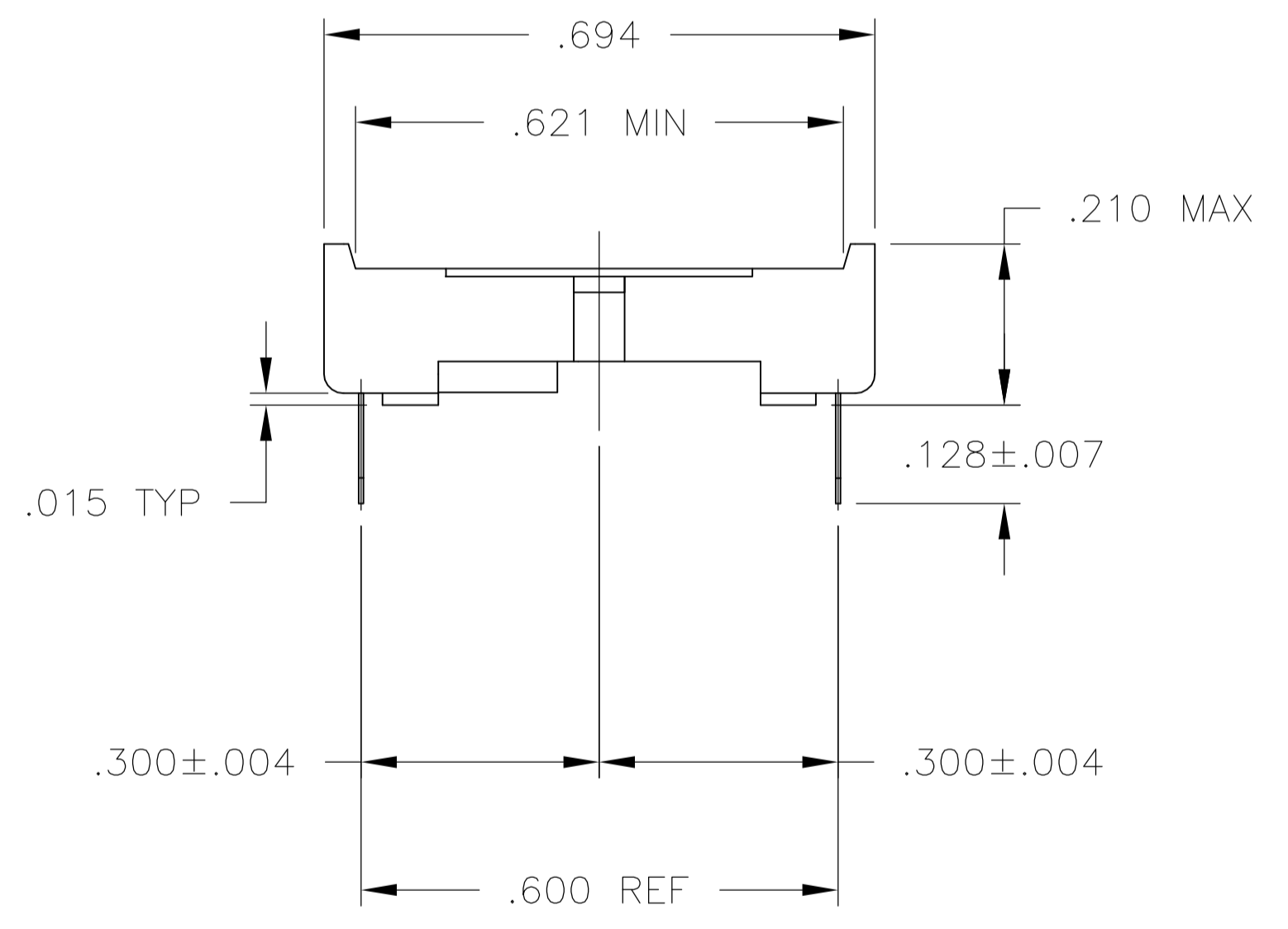
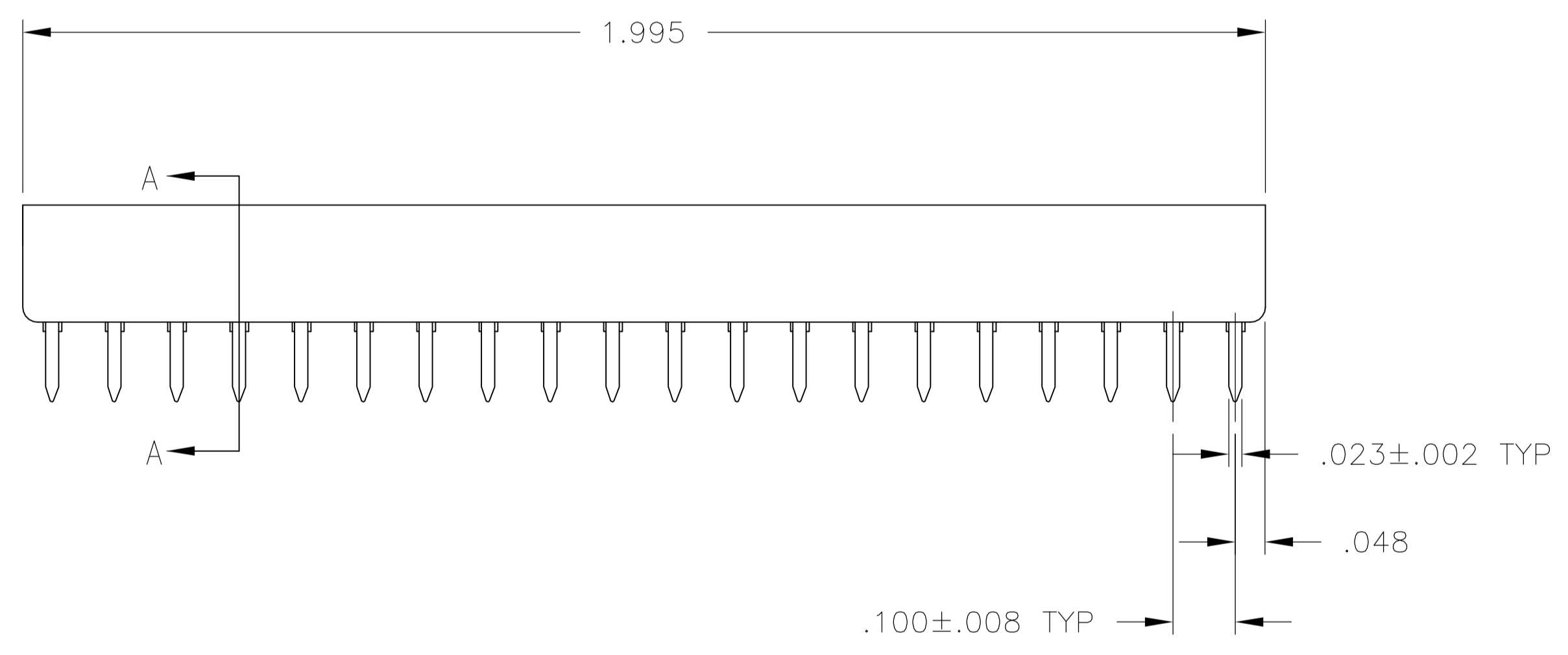
Address: A1208, Overseas Decoration Building, #122 Zhenhua RD., Futian, Shenzhen, China



1. RECEPTACLE ACCEPTS A .008-.014 THICK I.C. LEAD.
2. TUBE LOADED.
3. TWO .000015 MIN THK. GOLD STRIPES IN CONTACT AREA WITH TIN-LEAD (93/7) ON SOLDER LEGS, BALANCE OF CONTACT NICKEL PLATED.



SECTION A-A
SCALE 10:1



OBSOLETE	TINNED	PHOS. BRZ	BLACK THERMO PLASTIC	2-382468-4
		PHOS. BRZ	BROWN GLASS-FILLED PCT	2-382468-3
OBSOLETE	TINNED	BE.CU.	BROWN GLASS-FILLED PCT	2-382468-1
		CONTACT FINISH	CONTACT MAT'L	HOUSING MATERIAL
				PART NO.

THIS DRAWING IS A CONTROLLED DOCUMENT.		09JAN01		Tyco Electronics Corporation	
DIMENSIONS:	TOLERANCES UNLESS OTHERWISE SPECIFIED:	DIN	R	BROWN	23AUG00
INCHES		CHK	H	WYNKOOP	23AUG00
		APVD	H	WYNKOOP	23AUG00
		NAME	SOCKET ASSY. DIP, HT, 40 POS, DIPLOMATE™ DL		
		PRODUCT SPEC	108-1066		
		APPLICATION SPEC	114-1052		
MATERIAL	FINISH	WEIGHT	SIZE	CAGE CODE	DRAWING NO
SEE TABLE	SEE TABLE		A1	00779	382468
		CUSTOMER DRAWING	SCALE	SHEET	REV
			5:1	1 of 1	K1