



Chipsmall Limited consists of a professional team with an average of over 10 year of expertise in the distribution of electronic components. Based in Hongkong, we have already established firm and mutual-benefit business relationships with customers from,Europe,America and south Asia,supplying obsolete and hard-to-find components to meet their specific needs.

With the principle of “Quality Parts,Customers Priority,Honest Operation,and Considerate Service”,our business mainly focus on the distribution of electronic components. Line cards we deal with include Microchip,ALPS,ROHM,Xilinx,Pulse,ON,Everlight and Freescale. Main products comprise IC,Modules,Potentiometer,IC Socket,Relay,Connector.Our parts cover such applications as commercial,industrial, and automotives areas.

We are looking forward to setting up business relationship with you and hope to provide you with the best service and solution. Let us make a better world for our industry!



Contact us

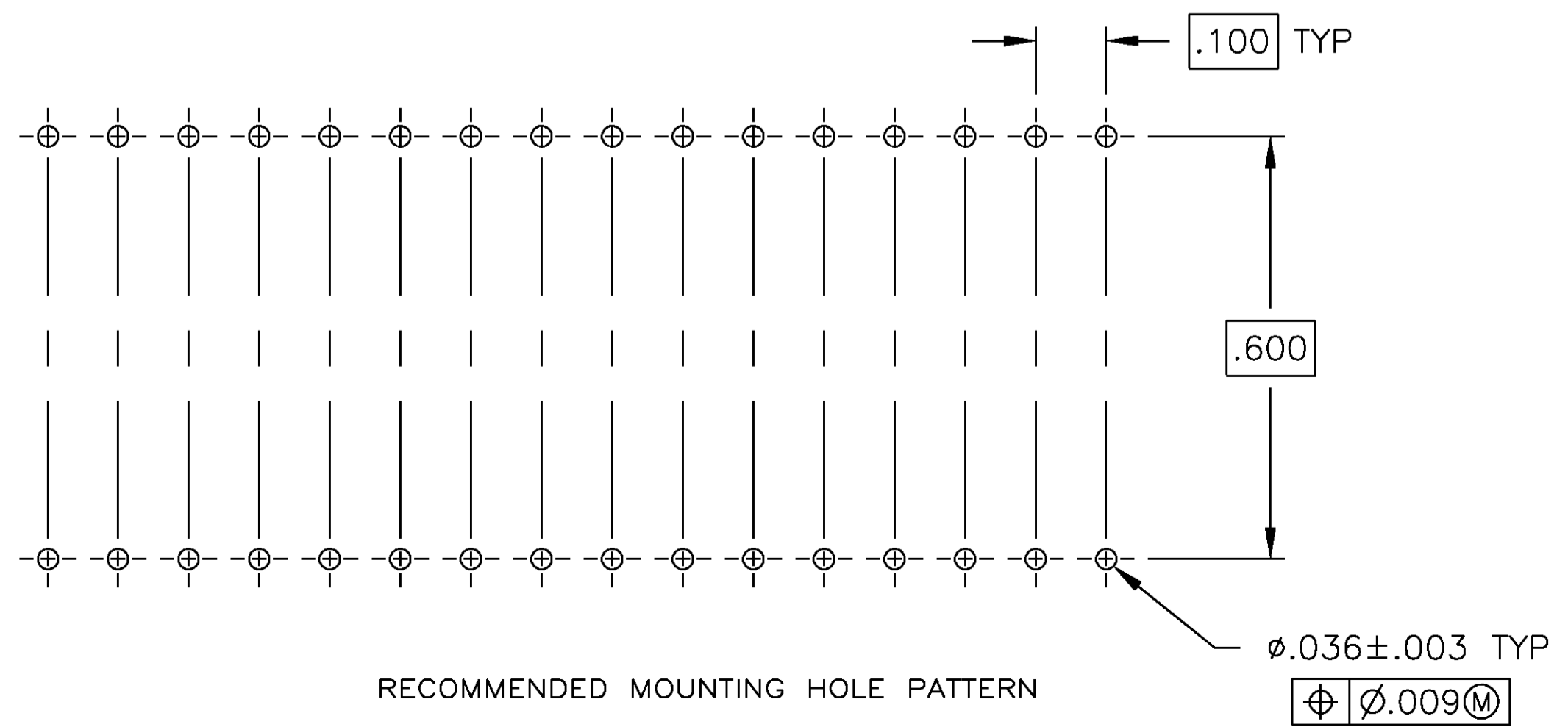
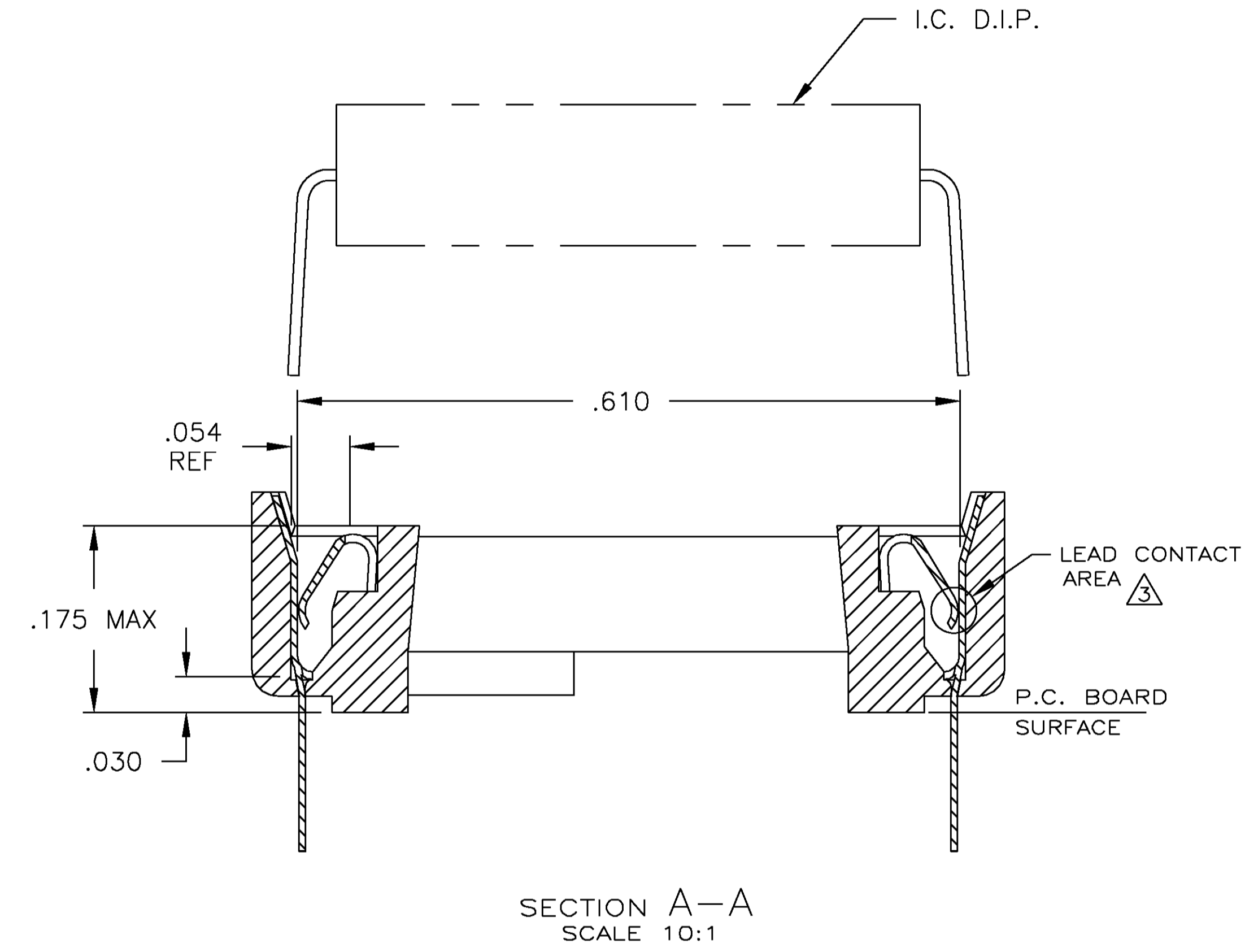
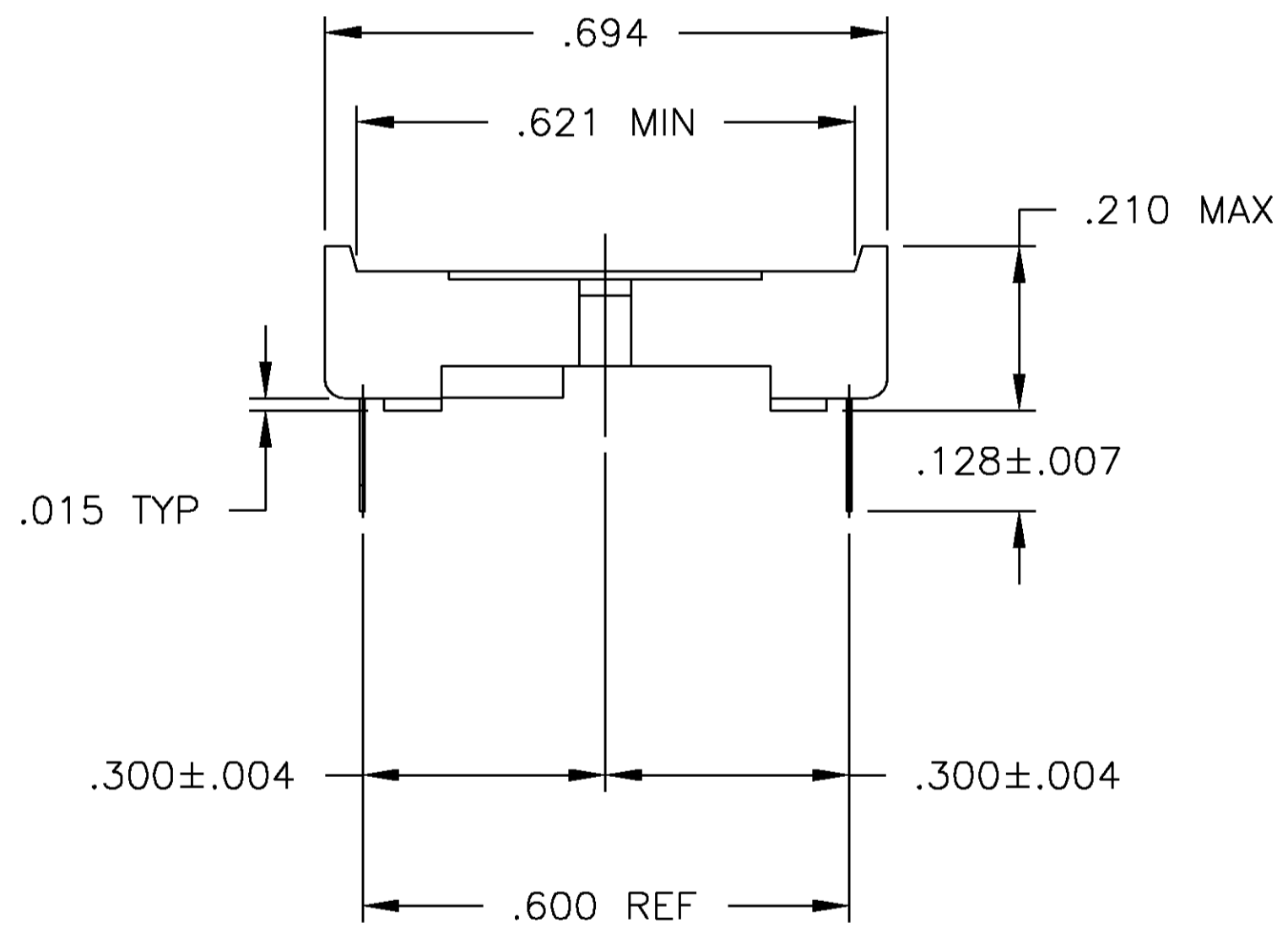
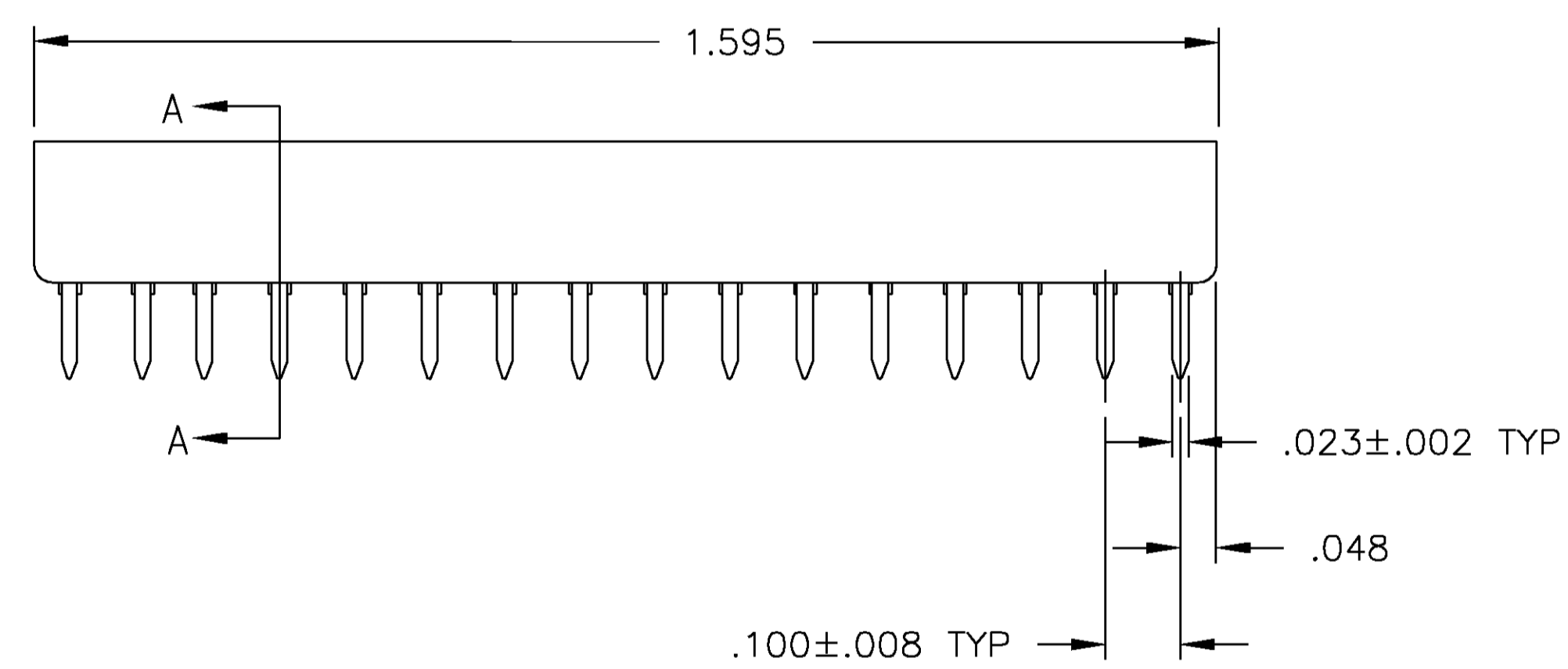
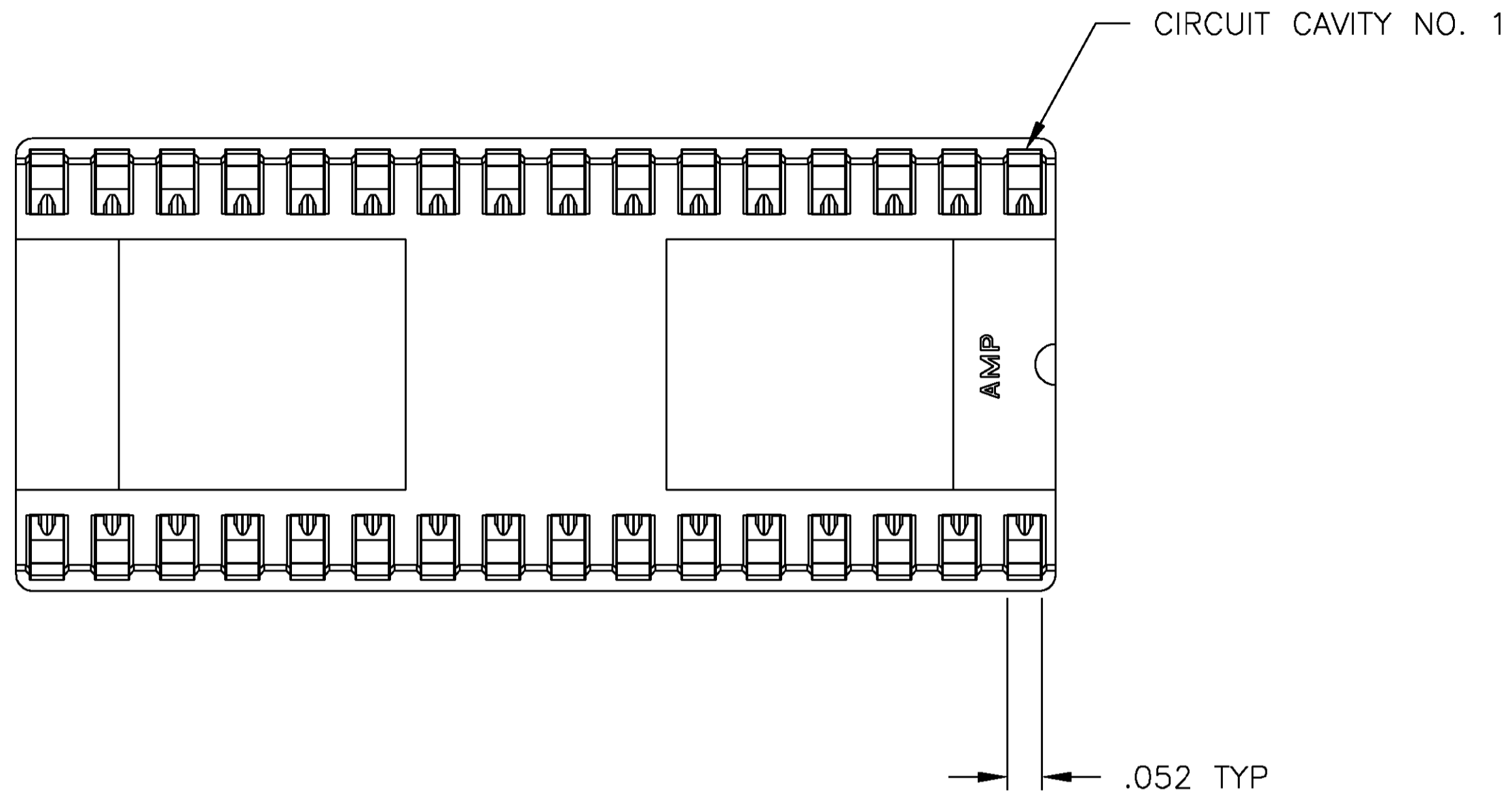
Tel: +86-755-8981 8866 Fax: +86-755-8427 6832

Email & Skype: info@chipsmall.com Web: www.chipsmall.com

Address: A1208, Overseas Decoration Building, #122 Zhenhua RD., Futian, Shenzhen, China



1. RECEPTACLE ACCEPTS A .008-.014 THICK I.C. LEAD.
2. TUBE LOADED.
3. TWO .000015 MIN THK. GOLD STRIPES IN CONTACT AREA WITH TIN-LEAD (93/7) ON SOLDER LEGS, BALANCE OF CONTACT NICKEL PLATED.



OBSOLETE	3	PHOS. BRZ	BROWN GLASS-FILLED PCT	2-382470-4
	TINNED	PHOS. BRZ	BROWN GLASS-FILLED PCT	2-382470-3
	TINNED	BE.CU.	BROWN GLASS-FILLED PCT	2-382470-1
	CONTACT FINISH	CONTACT MAT'L	HOUSING MATERIAL	PART NO.
THIS DRAWING IS A CONTROLLED DOCUMENT.				
DIMENSIONS: INCHES		TOLERANCES UNLESS OTHERWISE SPECIFIED:		
0 PLC	± -	APVD R BROWN 043401 17NOV00		
1 PLC	± -	DRK H WYNKOOP		
2 PLC	± -	APVD H WYNKOOP 17NOV00		
3 PLC	± .005	NAME		
4 PLC	± .005	SOCKET ASSY, DIP, HT, 32 POS, DIPLOMATE™ DL		
ANGLES	± -	PRODUCT SPEC		
MATERIAL SEE TABLE	FINISH SEE TABLE	WEIGHT	SIZE	RESTRICTED TO
			A1	
			00779	
			382470	
			SCALE 5:1	
			SHEET 1 OF 1	
			REV G	