



Chipsmall Limited consists of a professional team with an average of over 10 year of expertise in the distribution of electronic components. Based in Hongkong, we have already established firm and mutual-benefit business relationships with customers from,Europe,America and south Asia,supplying obsolete and hard-to-find components to meet their specific needs.

With the principle of “Quality Parts,Customers Priority,Honest Operation,and Considerate Service”,our business mainly focus on the distribution of electronic components. Line cards we deal with include Microchip,ALPS,ROHM,Xilinx,Pulse,ON,Everlight and Freescale. Main products comprise IC,Modules,Potentiometer,IC Socket,Relay,Connector.Our parts cover such applications as commercial,industrial, and automotives areas.

We are looking forward to setting up business relationship with you and hope to provide you with the best service and solution. Let us make a better world for our industry!



## Contact us

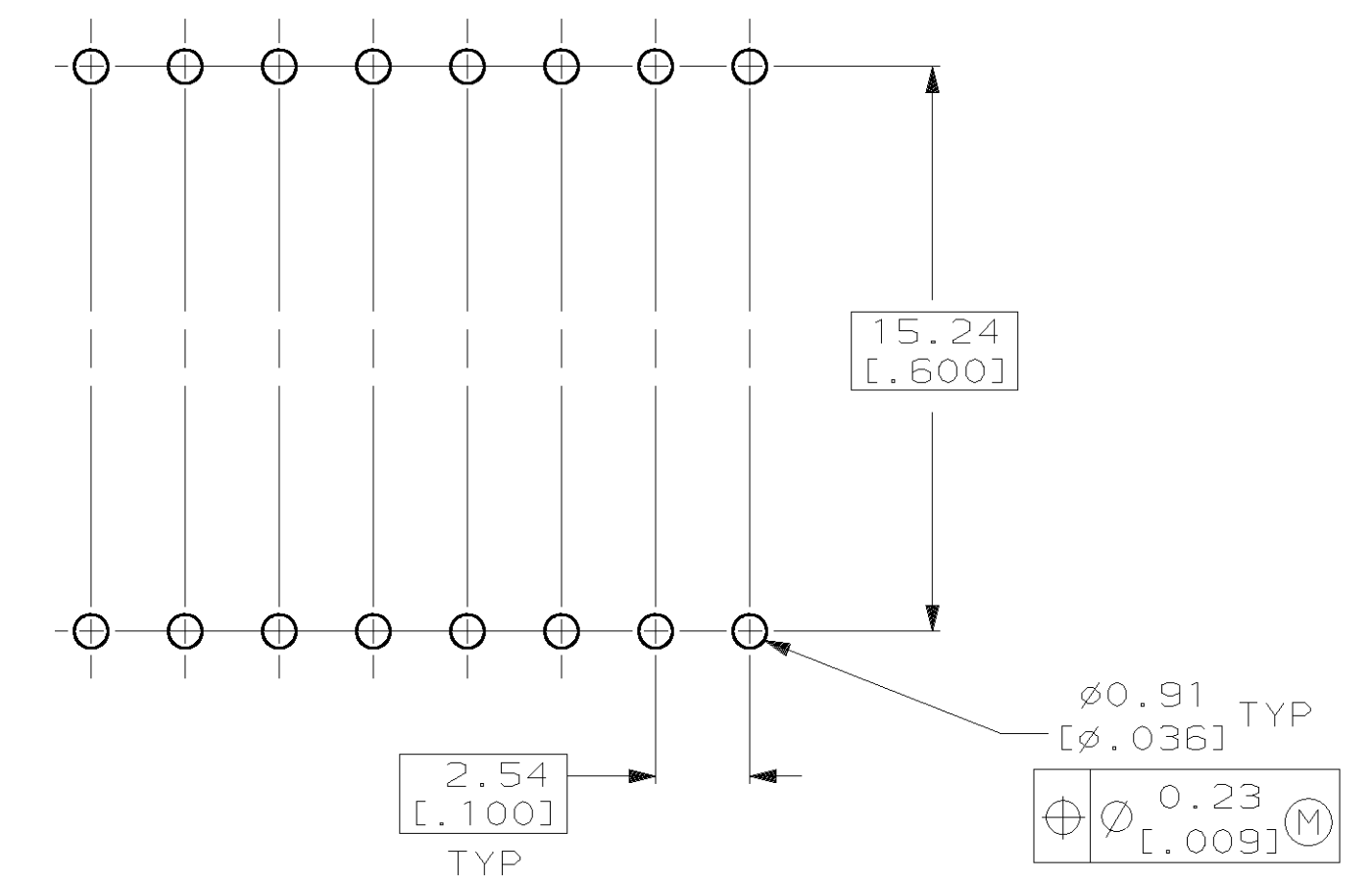
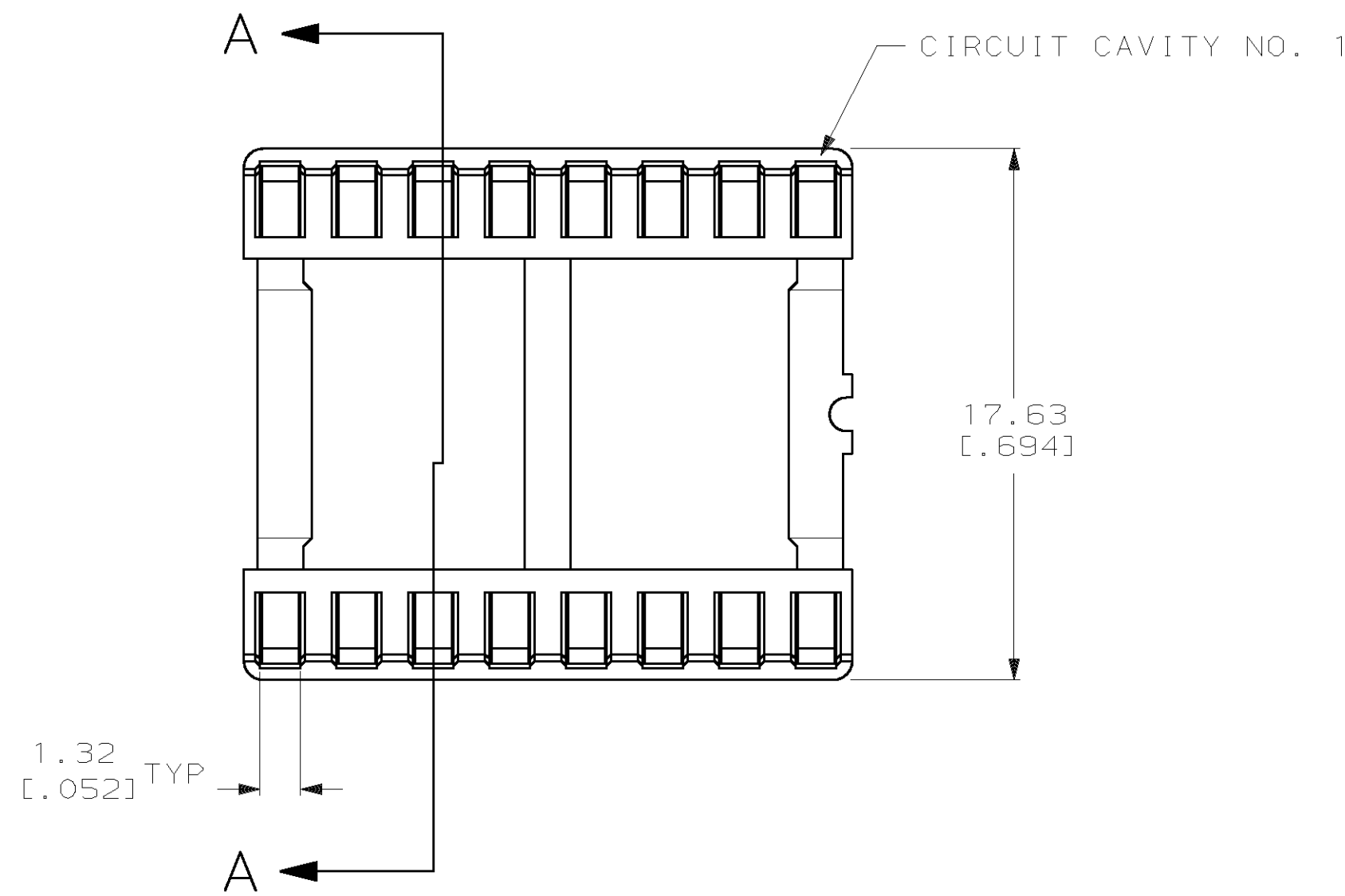
Tel: +86-755-8981 8866 Fax: +86-755-8427 6832

Email & Skype: info@chipsmall.com Web: www.chipsmall.com

Address: A1208, Overseas Decoration Building, #122 Zhenhua RD., Futian, Shenzhen, China

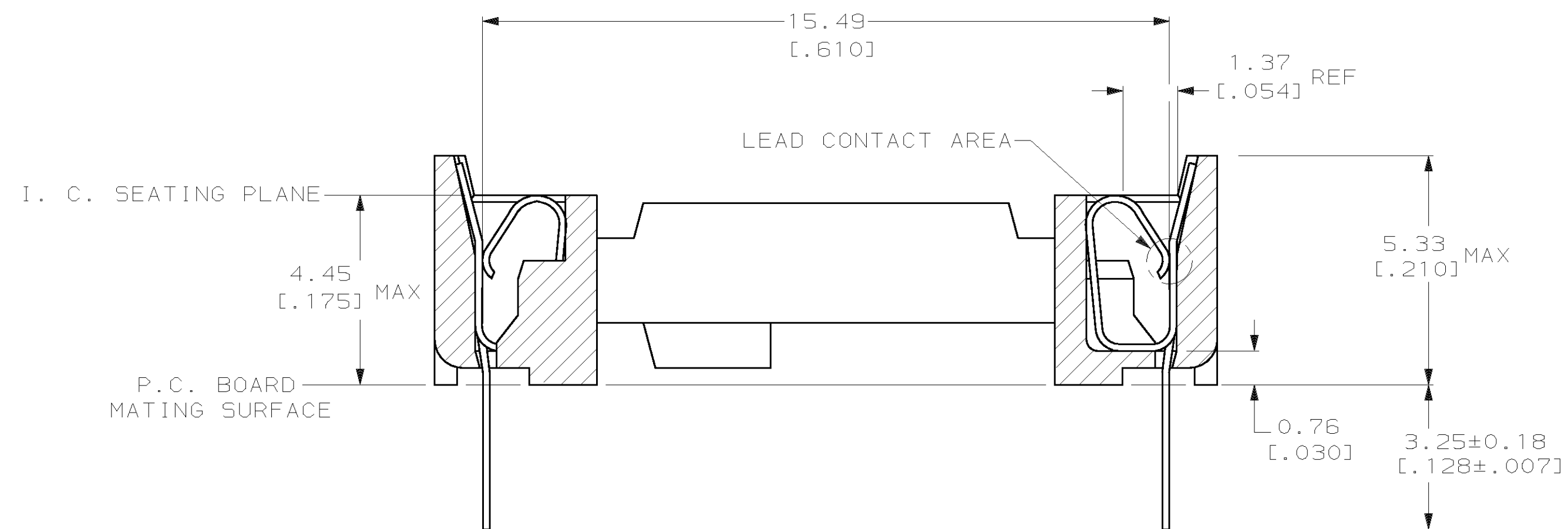
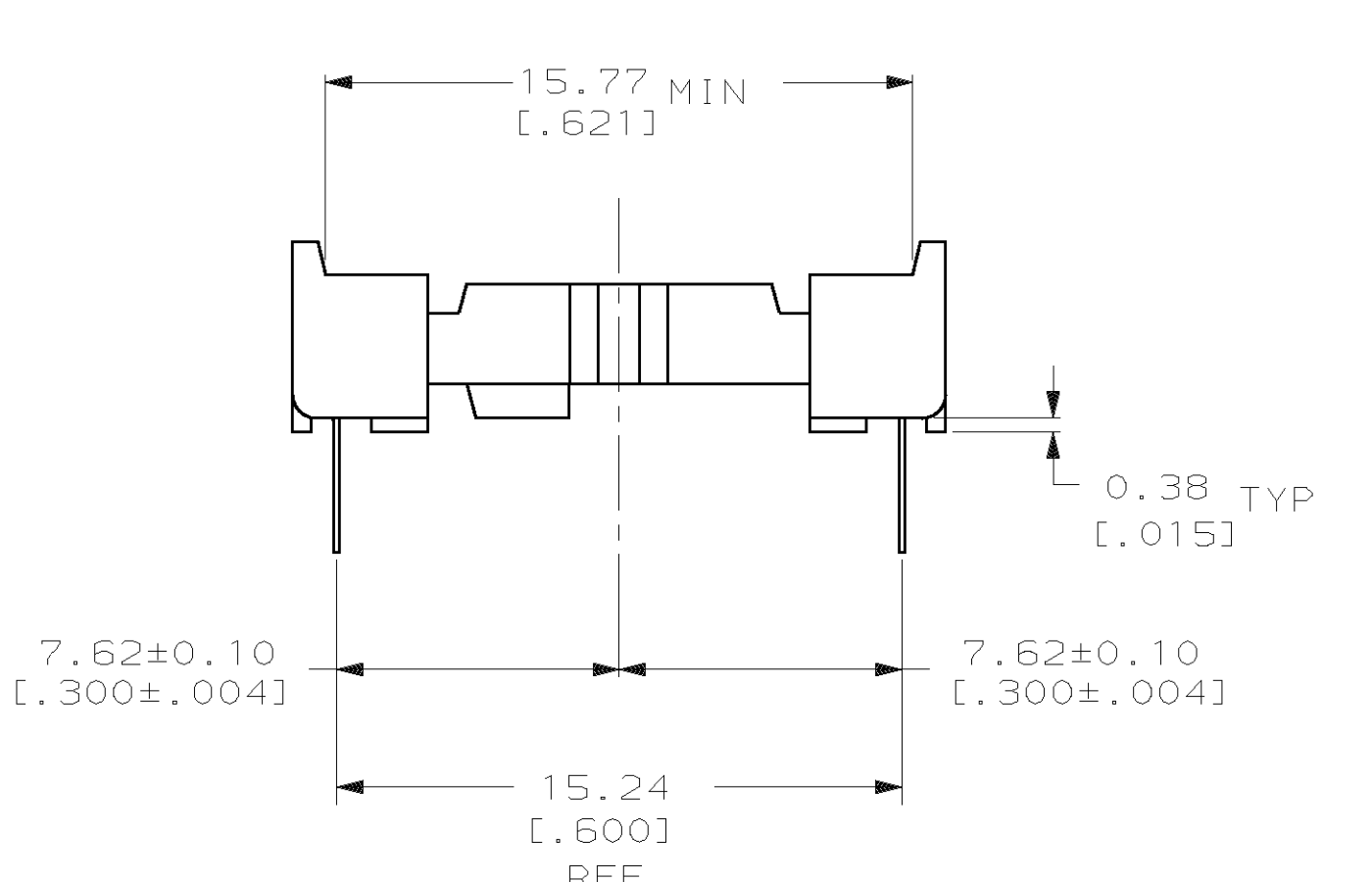
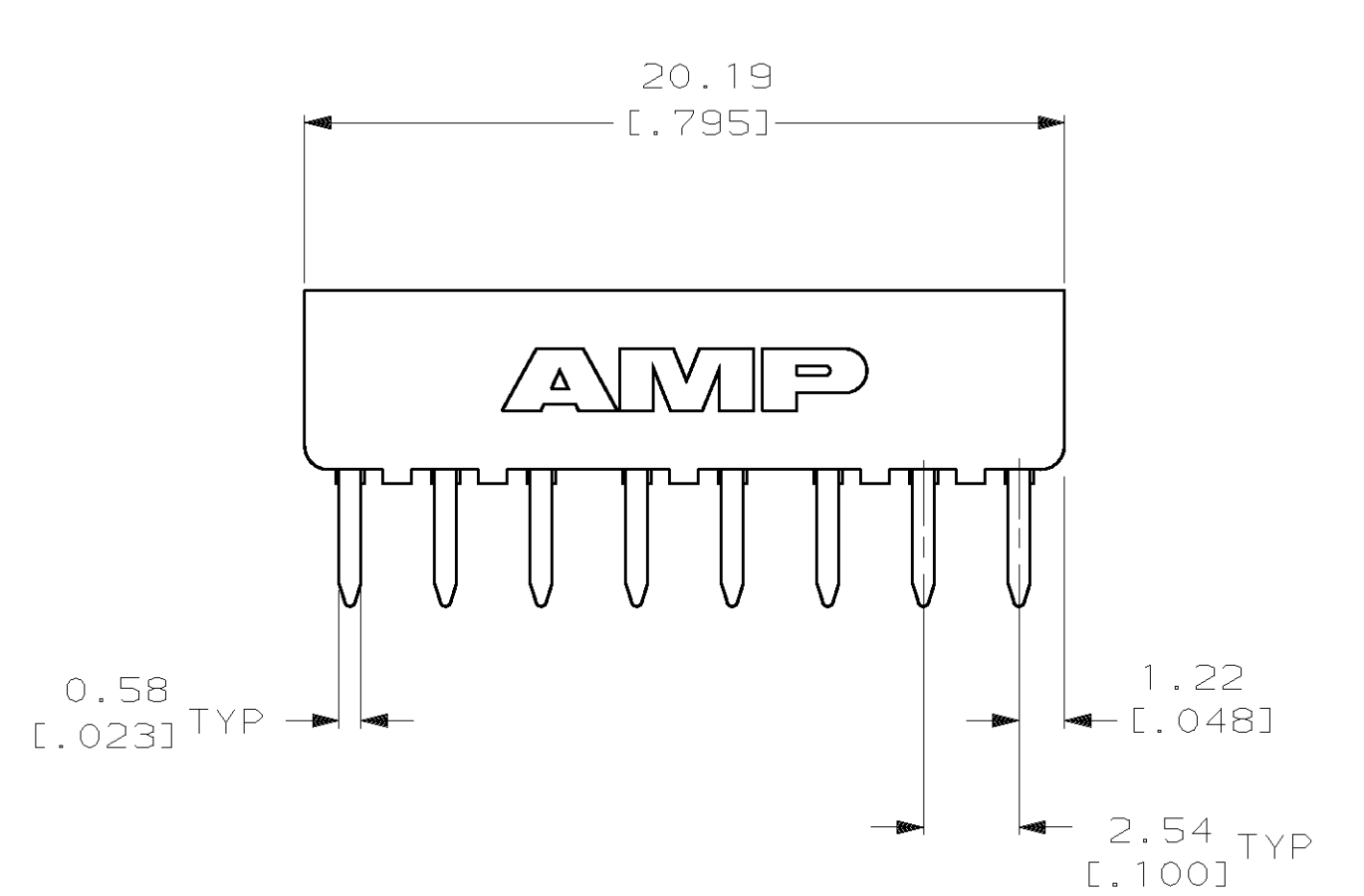


LOC		DIST		REVISIONS			
FT	64	TR	LYR	DESCRIPTION	DATE	DWN	APVD
		D		REV PER 063C-0104-01	25SEP01	RB	JO



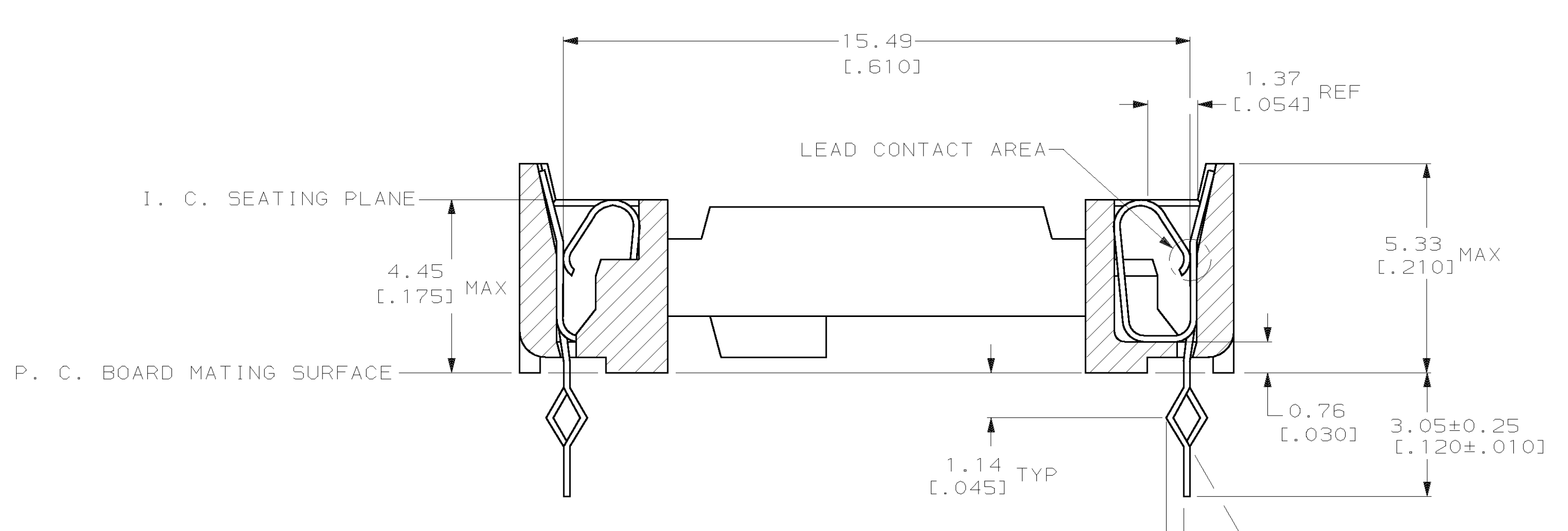
RECOMMENDED MOUNTING HOLE PATTERN

1. RECEPTABLE ACCEPTS AN 0.20-0.36 [0.008-.014] THK I.C. LEAD.
2. MATERIAL: HOUSING-GLASS FILLED THERMOPLASTIC, 94V-0, BLACK
3. TUBE LOADED.
4. TWO 0.00076 [0.00030] MIN THK GOLD STRIPES IN CONTACT AREA, TIN-LEAD (93-7) ON CONTACT LEGS, BALANCE OF CONTACT NICKEL PLATE.



SECTION A-A  
 ROTATED 90° CW  
 SCALE 10:1  
 FOR 2--1, 2--2 & 2--3 ONLY

TINNED	PHOS. BRZ. 0.15 [0.006] THK	2	2-382712-8
TINNED	BE. CU. 0.15 [0.006] THK	2	2-382712-6
TINNED	PHOS. BRZ. 0.15 [0.006] THK	2	2-382712-3
4	BE. CU. 0.15 [0.006] THK	2	2-382712-2
TINNED	BE. CU. 0.15 [0.006] THK	2	2-382712-1
CONTACT PLATING	CONTACT MATERIAL	HOUSING MATERIAL	PART NUMBER



SECTION A-A  
 ROTATED 90° CW  
 SCALE 10:1  
 FOR 2--6 & 2--8 ONLY

THIS DRAWING IS A CONTROLLED DOCUMENT.

DIMENSIONS (mm [INCHES])	TOLERANCES UNLESS OTHERWISE SPECIFIED.	DWN C. WHITT 22 OCT 92	AMP Incorporated Harrisburg, PA 17105-3608
0 PLC ±0.13 [0.005]	1 PLC ±0.13 [0.005]	CHK R. TALLEY 03 NOV 92	
2 PLC ±0.13 [0.005]	3 PLC ±0.13 [0.005]	APVD F. ROYD 06 NOV 92	
4 PLC ±0.13 [0.005]	ANGLES ±0.13 [0.005]	NAME	SOCKET ASSY, DIP, LADDER, 16 POS, DIPLOMATE™ DL
MATERIAL SEE TABLE	FINISH SEE TABLE	PRODUCT SPEC 108-1066	SIZE CAGE CODE DRAWING NO RESTRICTED TO
		APPLICATION SPEC 114-1049	A1 00779 C-382712
		WEIGHT	SCALE 5:1 SHEET 1 OF 1 REV 0
		CUSTOMER DRAWING	