



Chipsmall Limited consists of a professional team with an average of over 10 year of expertise in the distribution of electronic components. Based in Hongkong, we have already established firm and mutual-benefit business relationships with customers from,Europe,America and south Asia,supplying obsolete and hard-to-find components to meet their specific needs.

With the principle of “Quality Parts,Customers Priority,Honest Operation,and Considerate Service”,our business mainly focus on the distribution of electronic components. Line cards we deal with include Microchip,ALPS,ROHM,Xilinx,Pulse,ON,Everlight and Freescale. Main products comprise IC,Modules,Potentiometer,IC Socket,Relay,Connector.Our parts cover such applications as commercial,industrial, and automotives areas.

We are looking forward to setting up business relationship with you and hope to provide you with the best service and solution. Let us make a better world for our industry!



## Contact us

Tel: +86-755-8981 8866 Fax: +86-755-8427 6832

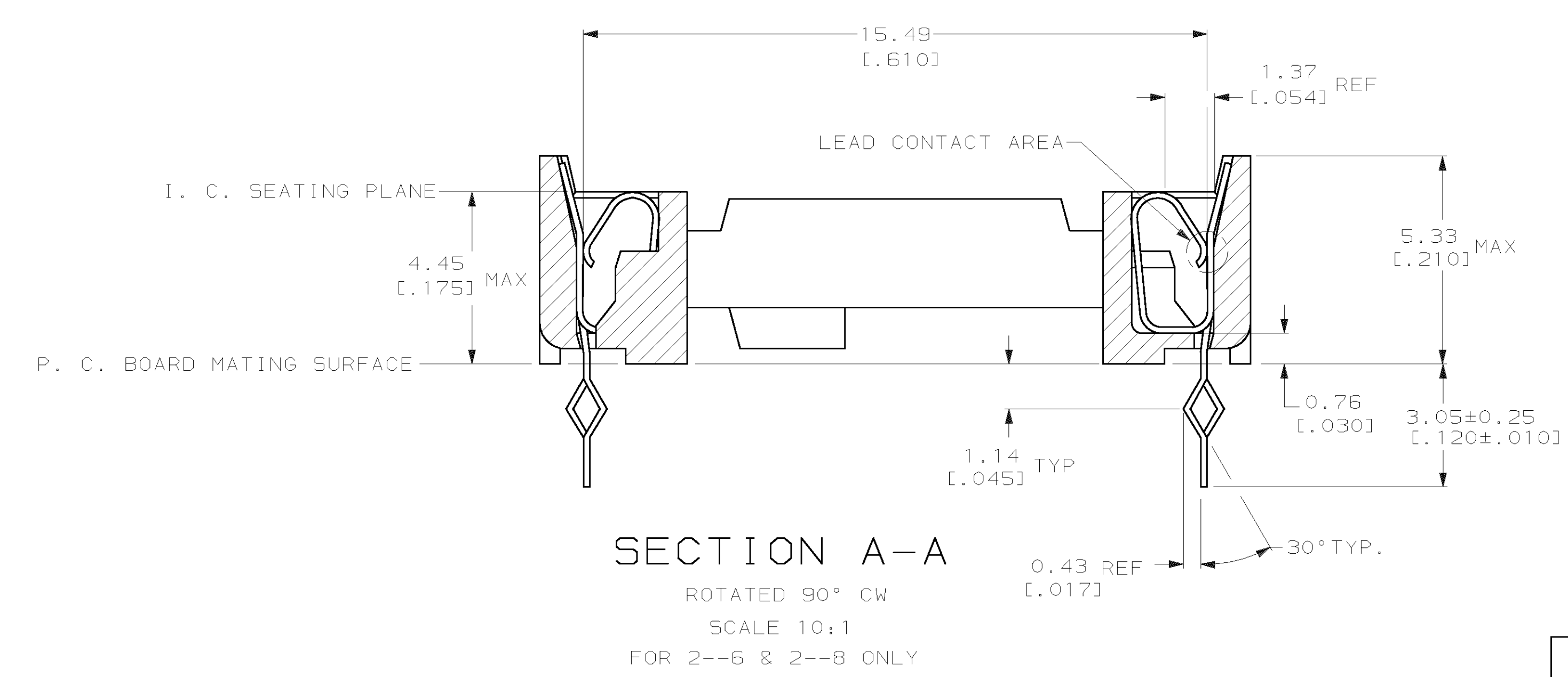
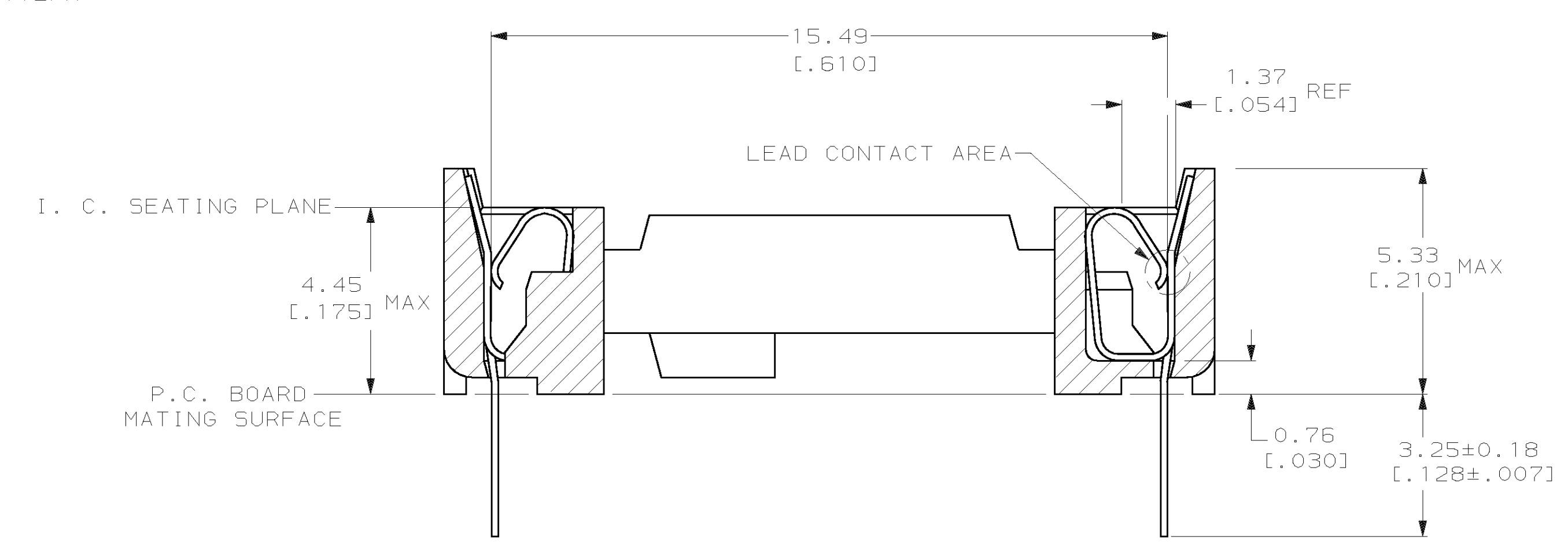
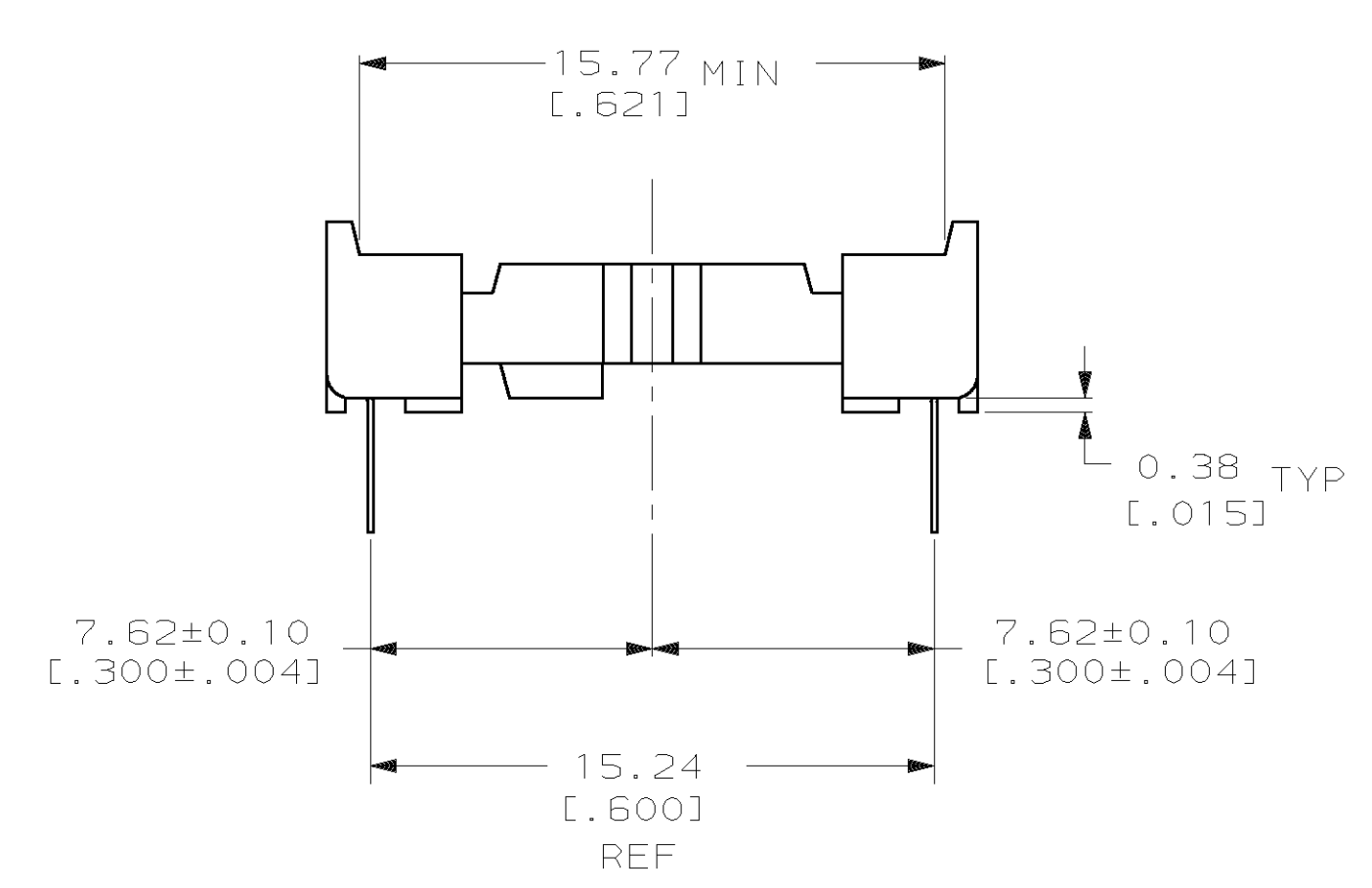
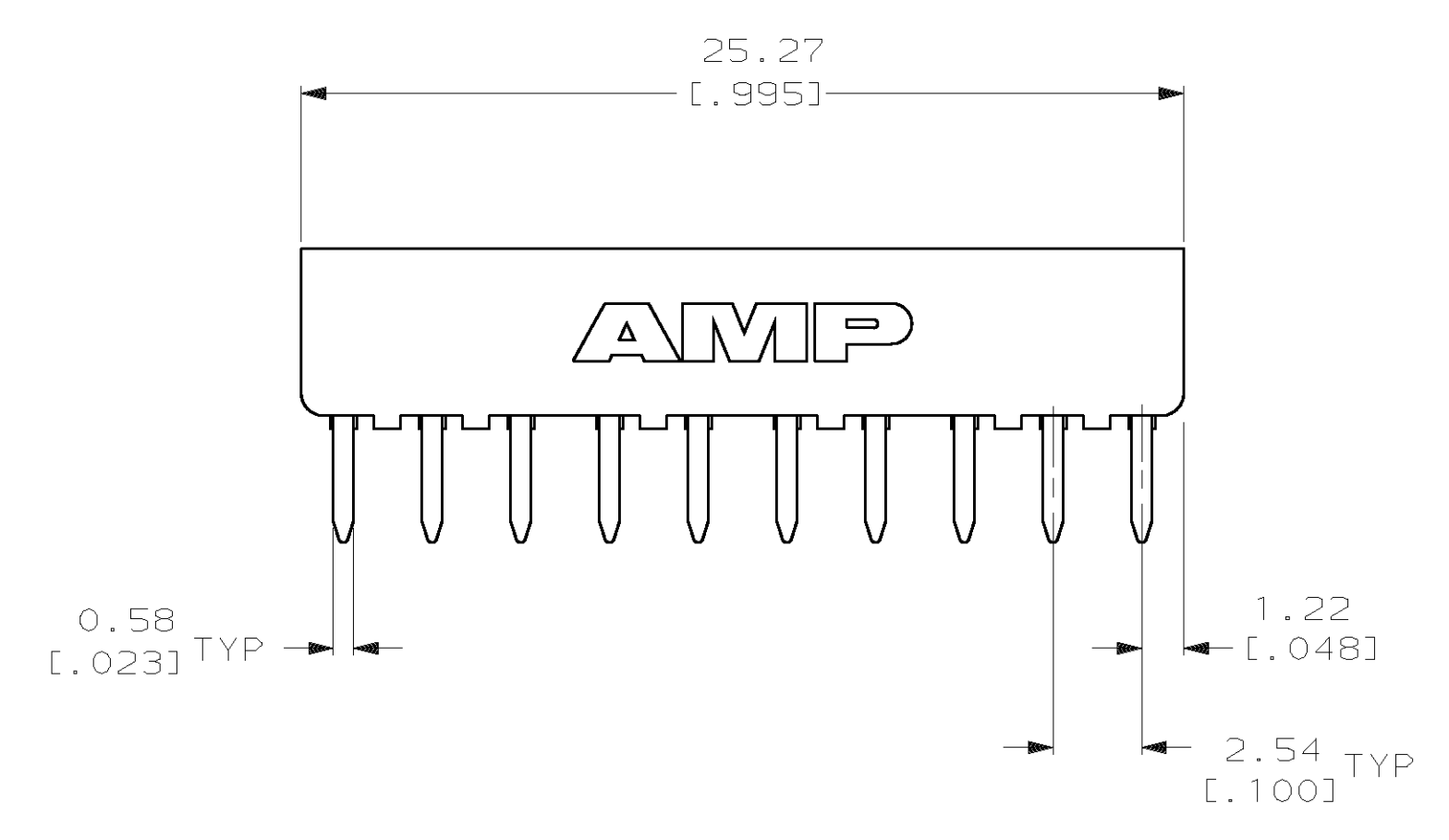
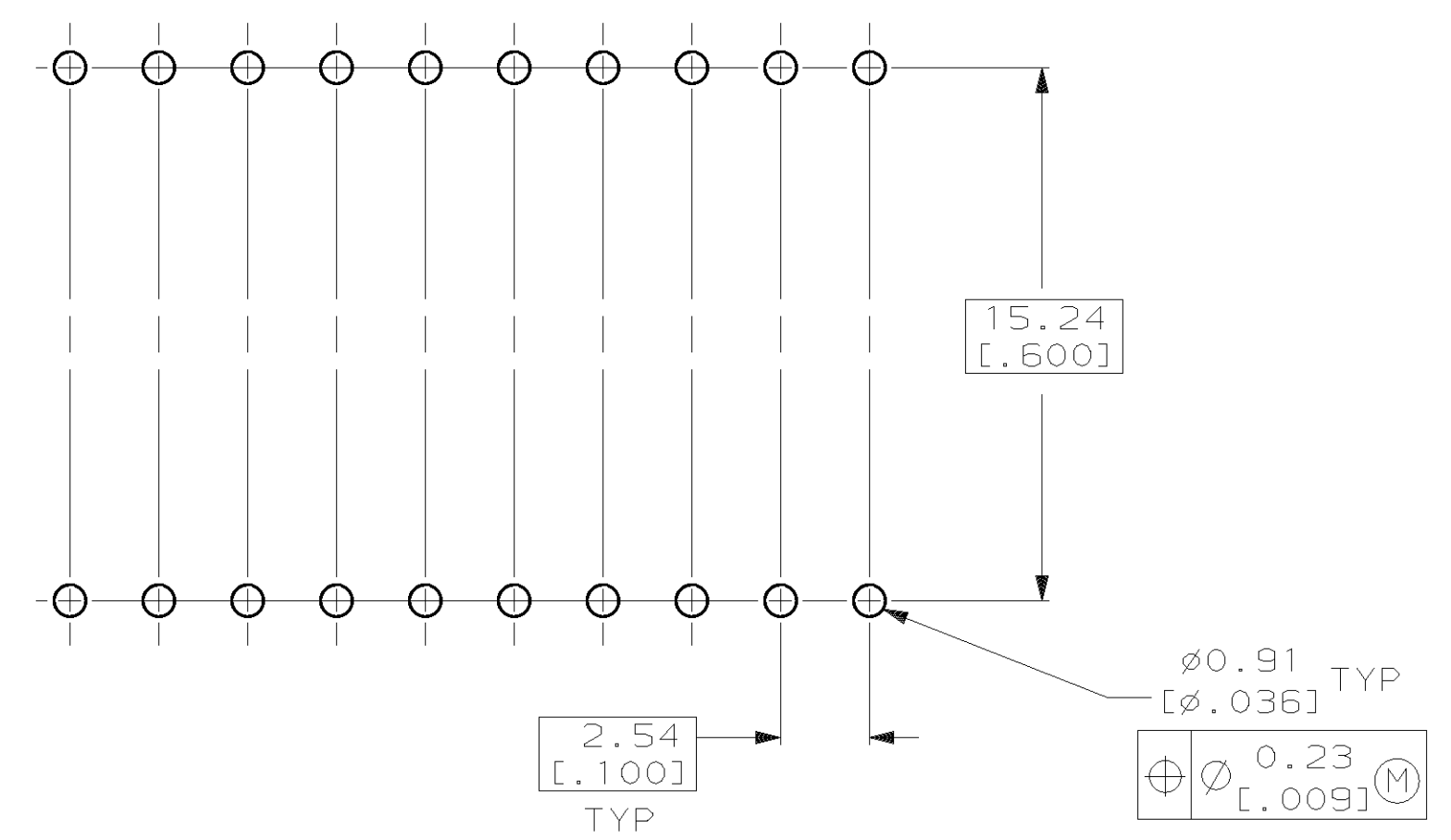
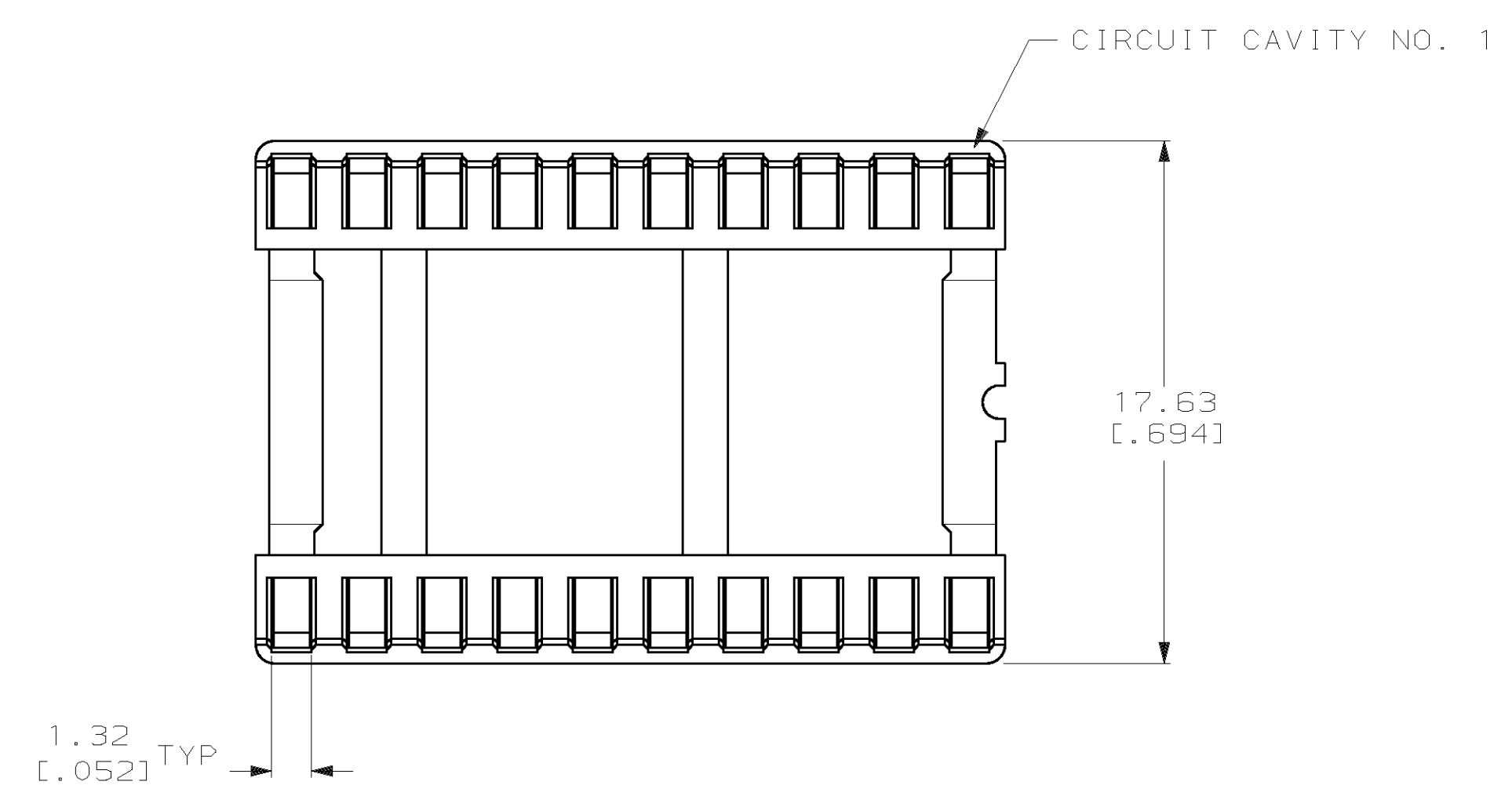
Email & Skype: info@chipsmall.com Web: www.chipsmall.com

Address: A1208, Overseas Decoration Building, #122 Zhenhua RD., Futian, Shenzhen, China



LOC		DIST		REV		REVISIONS		
FT	64	P	F	ZONE	LTR	DESCRIPTION	DATE	APPD
					D	REV PER 063C-0104-01	25SEP01	JO

1. RECEPTABLE ACCEPTS AN 0.20-0.36 [.008-.014] THK I.C. LEAD.
2. MATERIAL: HOUSING-GLASS FILLED THERMOPLASTIC, 94V-0, BLACK
3. TUBE LOADED.



CONTACT PLATING	CONTACT MATERIAL	HOUSING MATERIAL	PART NUMBER
TINNED	PHOS. BRZ. 0.15 [.006] THK	△2	2-382714-8
TINNED	BE. CU. 0.15 [.006] THK	△2	2-382714-6
TINNED	PHOS. BRZ. 0.15 [.006] THK	△2	2-382714-3
GOLD	BE. CU. 0.15 [.006] THK	△2	2-382714-2
TINNED	BE. CU. 0.15 [.006] THK	△2	2-382714-1

DO NOT SCALE PRINT. UNLESS SPECIFIED DIMENSIONS IN mm [INCHES]		TOLERANCES ON:		PART NO	
1 PLC DEC ±	0.13 [.005]	DR 10-22-92	C. WHITT	AMP Incorporated Harrisburg, PA 17105-3608	
2 PLC DEC ±	-	CHK 11-3-92	R. TALLEY		
3 PLC DEC ±	-	APPD 11-6-92	F. BOYD	NAME SOCKET ASSY, DIP, LADDER, 20 POS, DIPLOMATE™ DL	
ANGLES	±	APPD 11-6-92	L. STEPHENS		
MATERIAL	SEE TABLE	PRODUCT SPEC	108-1066	SIZE	D 00779
FINISH	SEE TABLE	APPLICATION SPEC	114-1049	CAGE CODE	C-382714
WEIGHT	-	SCALE	5:1	DRAWING NO	1 OF 1

THIS DRAWING IS A CONTROLLED DOCUMENT FOR AMP INCORPORATED. IT IS SUBJECT TO CHANGE AND THE CONTROLLING ENGINEERING ORGANIZATION SHOULD BE CONTACTED FOR THE LATEST REVISION.