



Chipsmall Limited consists of a professional team with an average of over 10 year of expertise in the distribution of electronic components. Based in Hongkong, we have already established firm and mutual-benefit business relationships with customers from,Europe,America and south Asia,supplying obsolete and hard-to-find components to meet their specific needs.

With the principle of “Quality Parts,Customers Priority,Honest Operation,and Considerate Service”,our business mainly focus on the distribution of electronic components. Line cards we deal with include Microchip,ALPS,ROHM,Xilinx,Pulse,ON,Everlight and Freescale. Main products comprise IC,Modules,Potentiometer,IC Socket,Relay,Connector.Our parts cover such applications as commercial,industrial, and automotives areas.

We are looking forward to setting up business relationship with you and hope to provide you with the best service and solution. Let us make a better world for our industry!



## Contact us

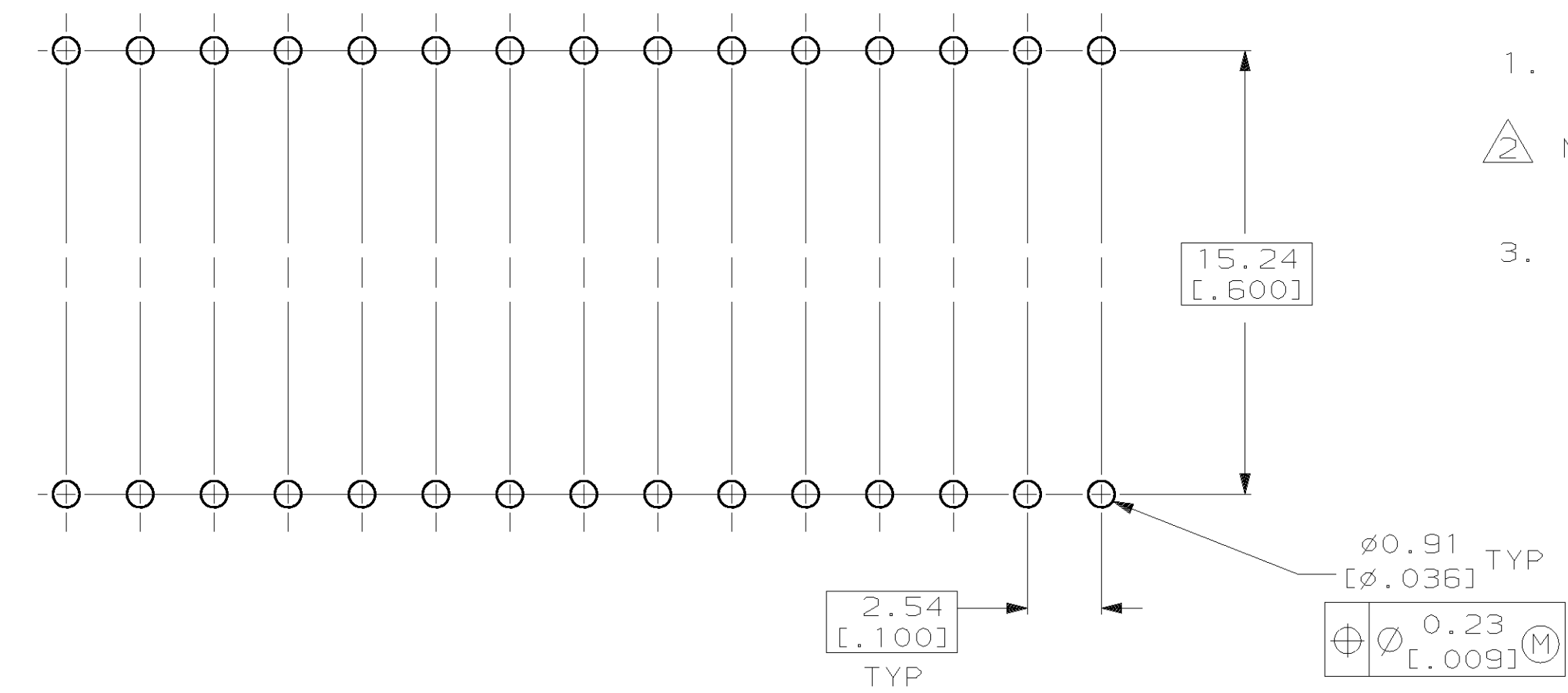
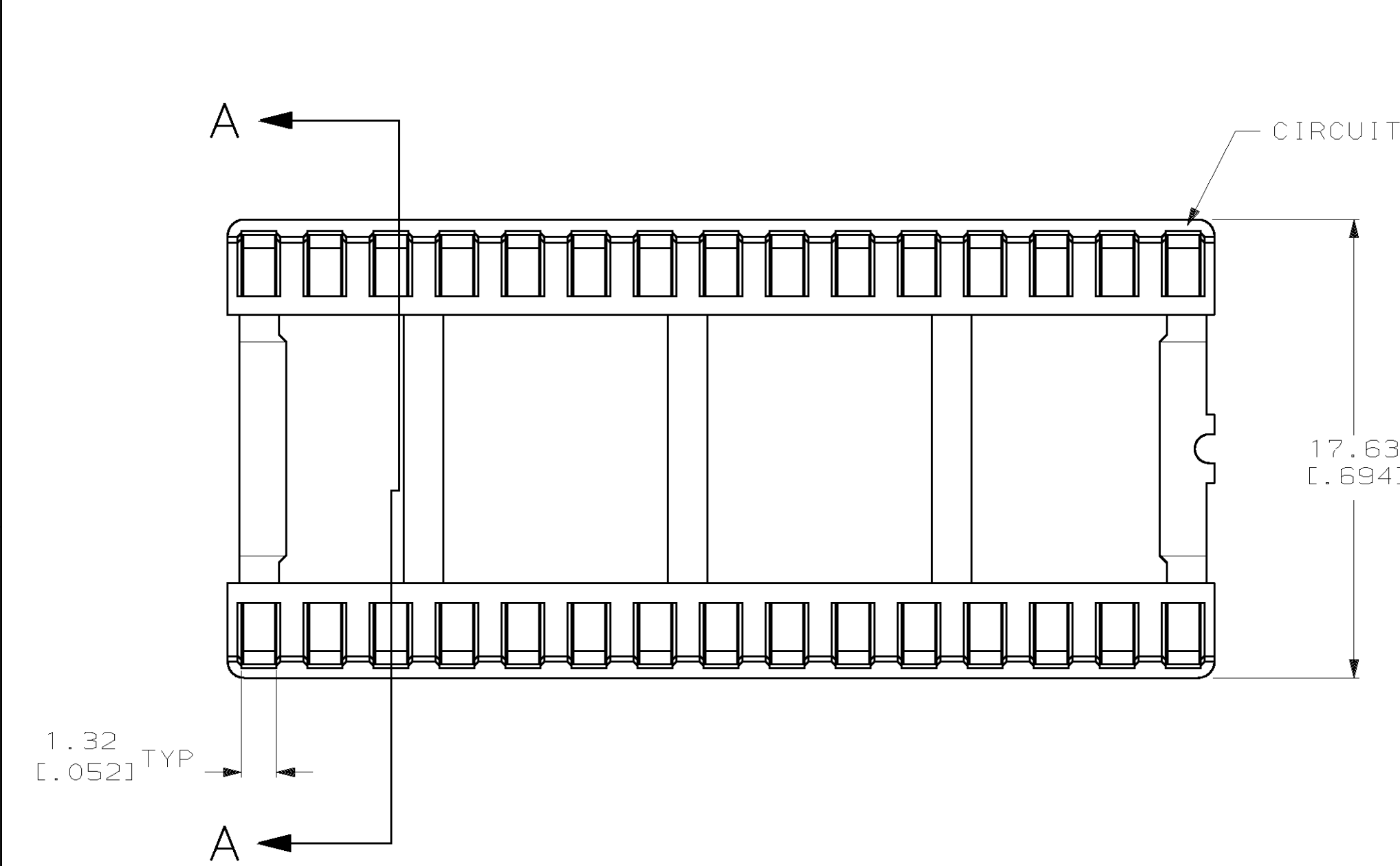
Tel: +86-755-8981 8866 Fax: +86-755-8427 6832

Email & Skype: info@chipsmall.com Web: www.chipsmall.com

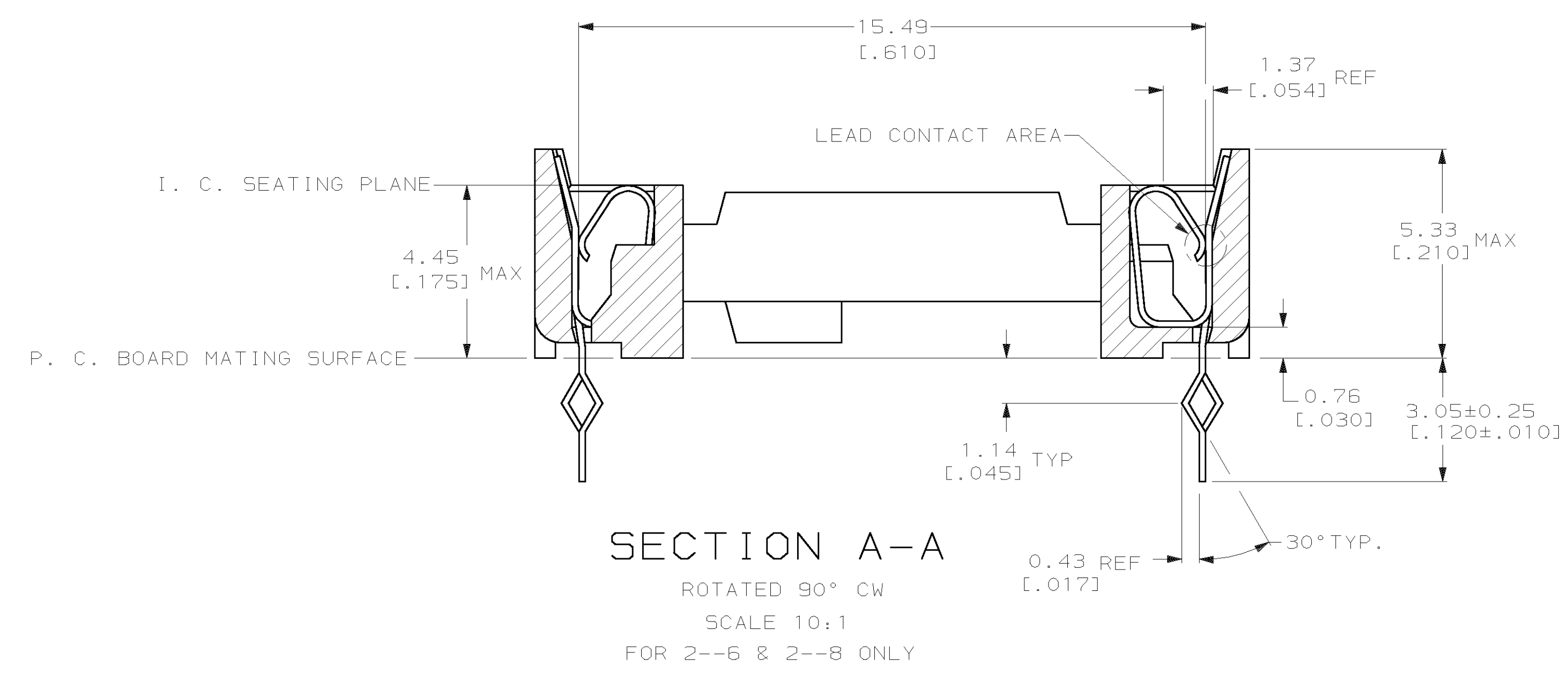
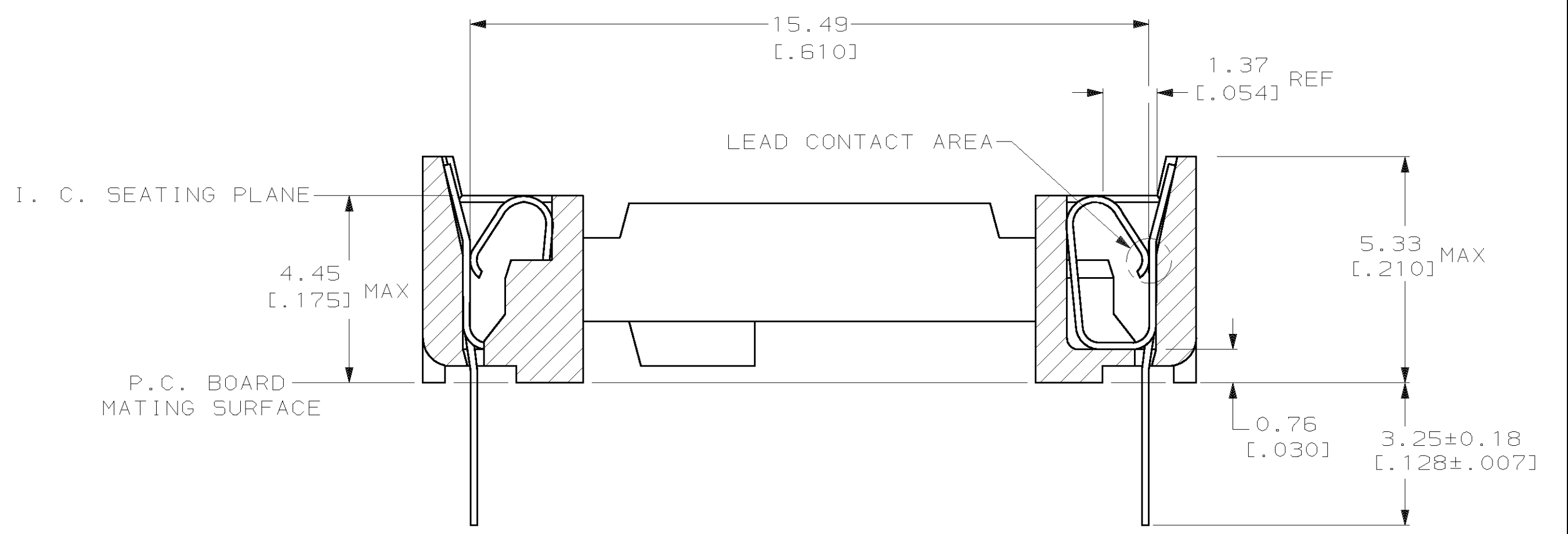
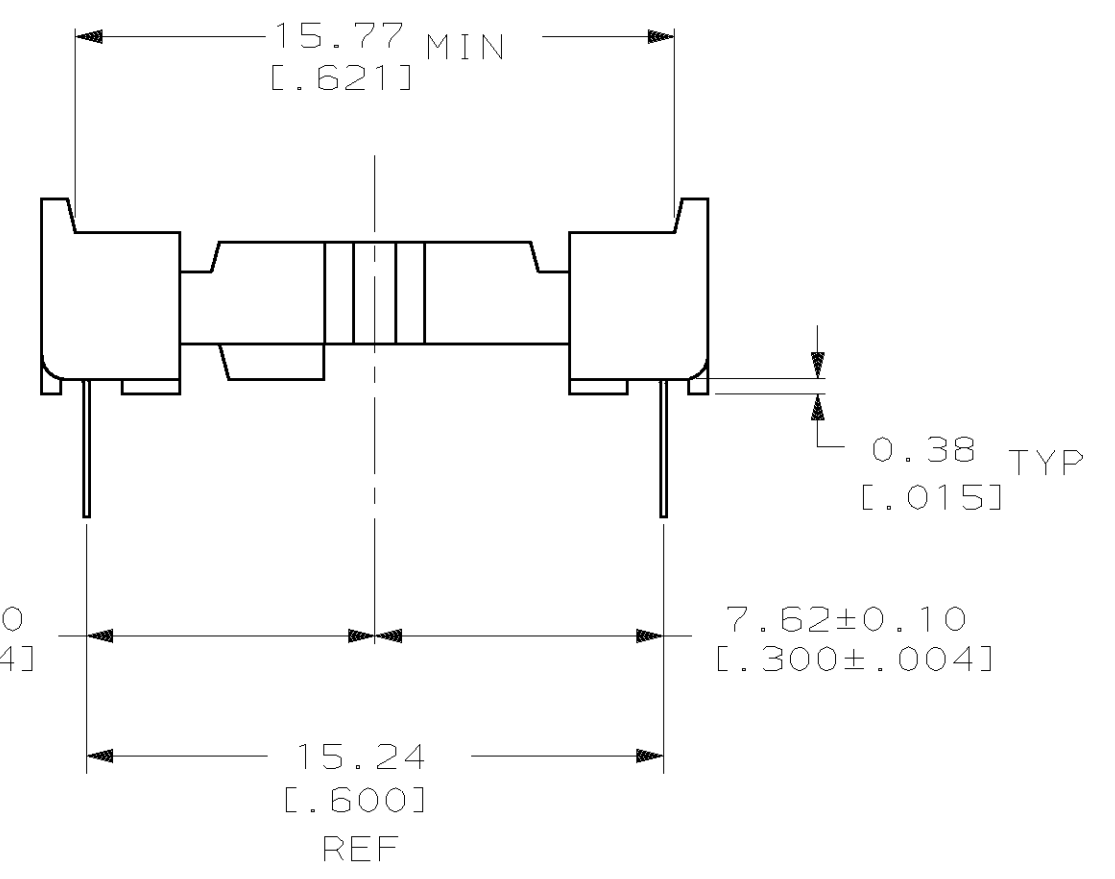
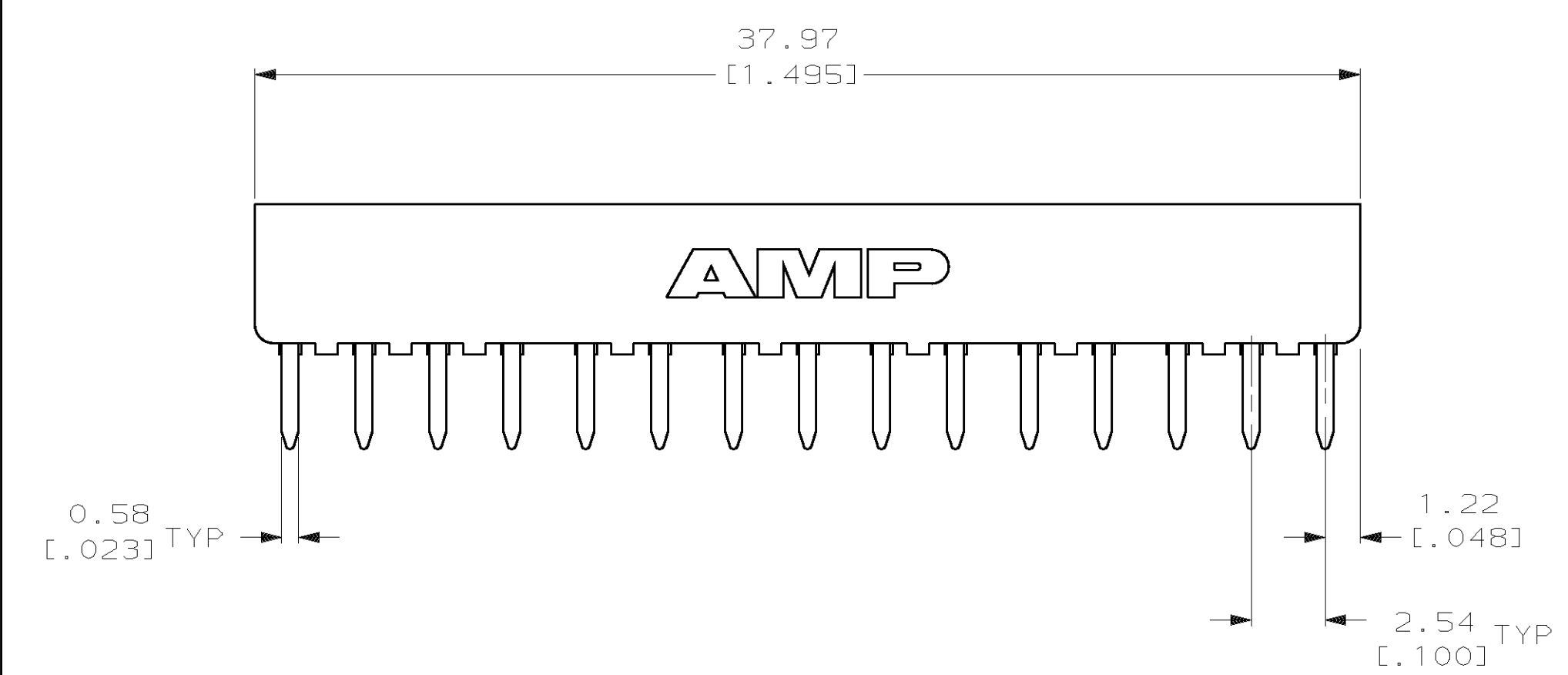
Address: A1208, Overseas Decoration Building, #122 Zhenhua RD., Futian, Shenzhen, China



LOC		DIST		REVISIONS			
FT	64	TR	LTR	DESCRIPTION	DATE	DWN	APVD
		C		REV PER 063C-0104-01	25SEP01	RB	JO



- RECEPTABLE ACCEPTS AN 0.20-0.36 [.008-.014] THK I.C. LEAD.
- MATERIAL: HOUSING-GLASS FILLED THERMOPLASTIC, 94V-0, BLACK
- TUBE LOADED.



TINNED	PHOS.BRZ.0.15[.006] THK		2-382719-8
TINNED	BE.CU. 0.15[.006] THK		2-382719-6
TINNED	PHOS.BRZ.0.15[.006] THK		2-382719-3
TINNED	BE.CU. 0.15[.006] THK		2-382719-1
CONTACT PLATING	CONTACT MATERIAL	HOUSING MATERIAL	PART NUMBER

THIS DRAWING IS A CONTROLLED DOCUMENT.		DWN C. WHITT	22 OCT 92	AMP Incorporated Harrisburg, PA 17105-3608
TOLERANCES UNLESS OTHERWISE SPECIFIED.		CHK R. TALLEY	03 NOV 92	
DIMENSIONS mm (INCHES)	0 PLC ±.01	APVD F. ROYD	06 NOV 92	NAME
	1 PLC ±.015	PRODUCT SPEC		108-1066
	2 PLC ±.013 [.005]	APPLICATION SPEC		114-1049
	3 PLC ±.01	SIZE		A1
	4 PLC ±.005	CAGE CODE		00779
MATERIAL	SEE TABLE	FINISH		SEE TABLE
CUSTOMER DRAWING		SCALE		5:1
		SHEET		1 of 1
		REV		C