



Chipsmall Limited consists of a professional team with an average of over 10 year of expertise in the distribution of electronic components. Based in Hongkong, we have already established firm and mutual-benefit business relationships with customers from,Europe,America and south Asia,supplying obsolete and hard-to-find components to meet their specific needs.

With the principle of “Quality Parts,Customers Priority,Honest Operation,and Considerate Service”,our business mainly focus on the distribution of electronic components. Line cards we deal with include Microchip,ALPS,ROHM,Xilinx,Pulse,ON,Everlight and Freescale. Main products comprise IC,Modules,Potentiometer,IC Socket,Relay,Connector.Our parts cover such applications as commercial,industrial, and automotives areas.

We are looking forward to setting up business relationship with you and hope to provide you with the best service and solution. Let us make a better world for our industry!



## Contact us

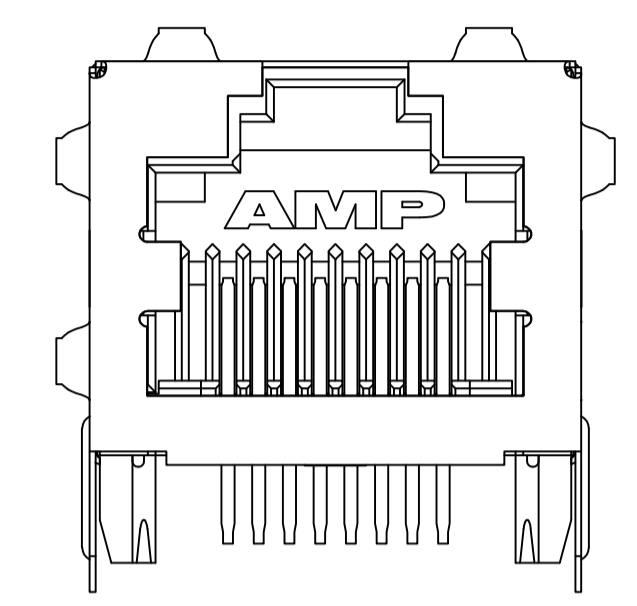
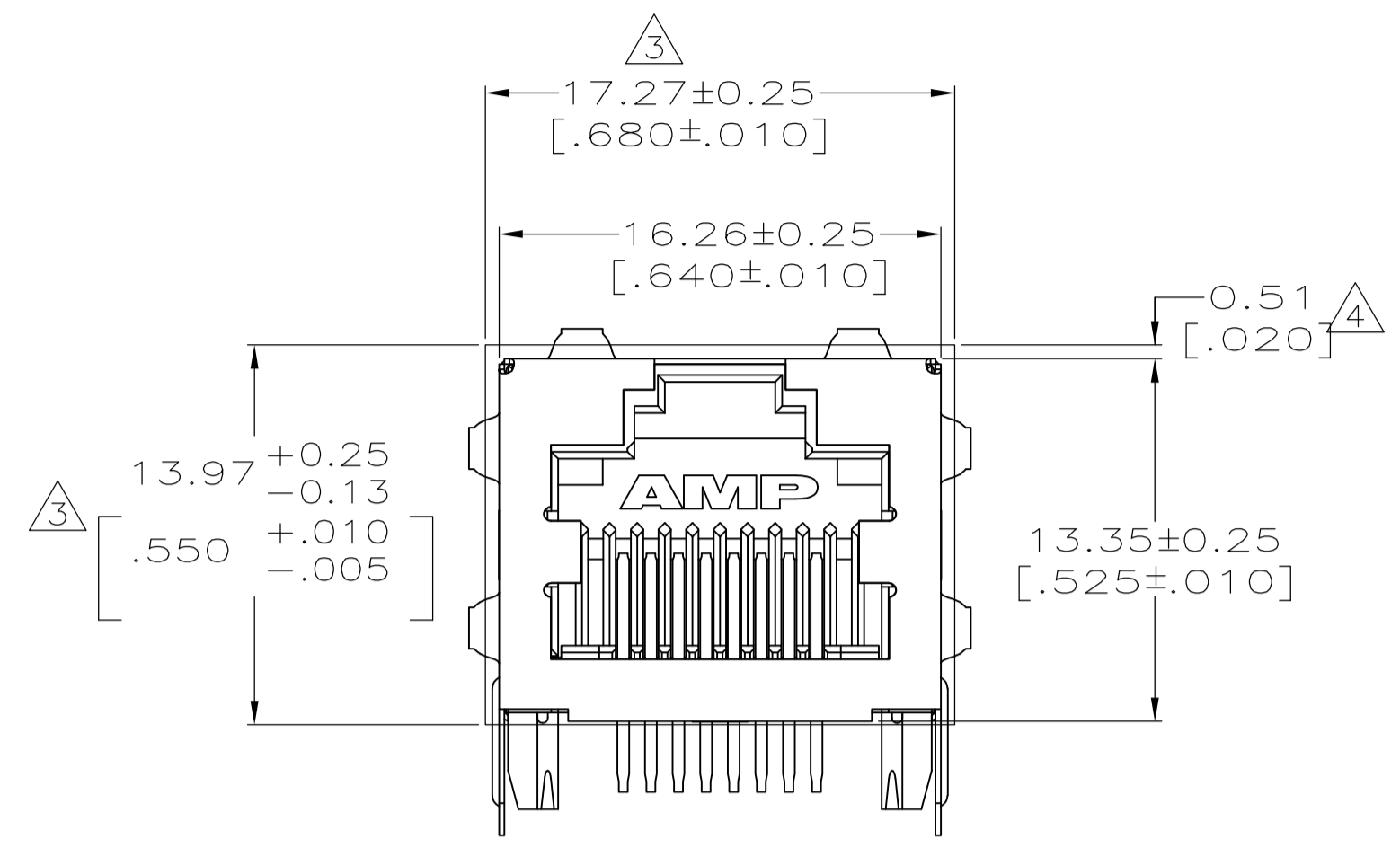
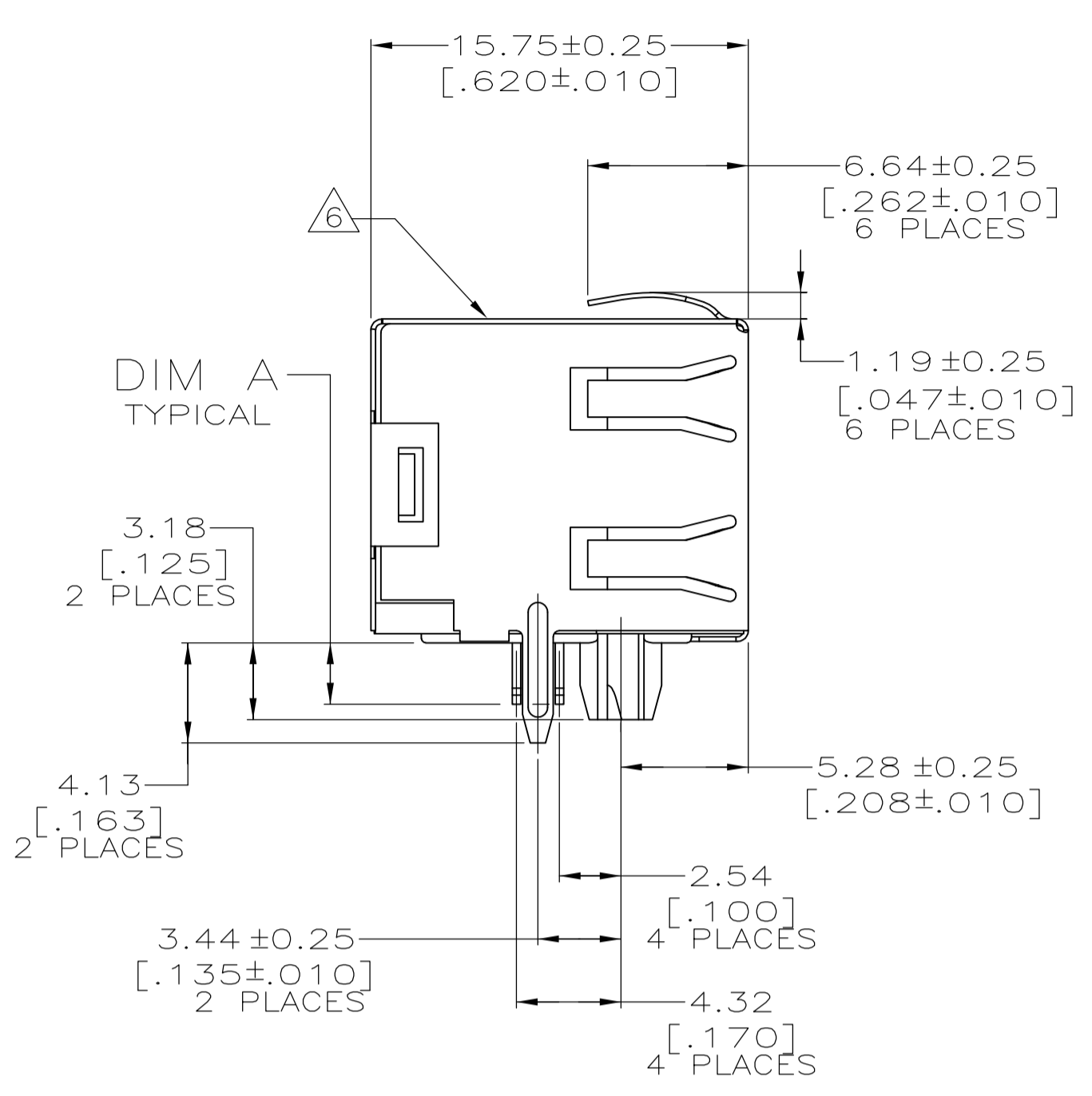
Tel: +86-755-8981 8866 Fax: +86-755-8427 6832

Email & Skype: info@chipsmall.com Web: www.chipsmall.com

Address: A1208, Overseas Decoration Building, #122 Zhenhua RD., Futian, Shenzhen, China



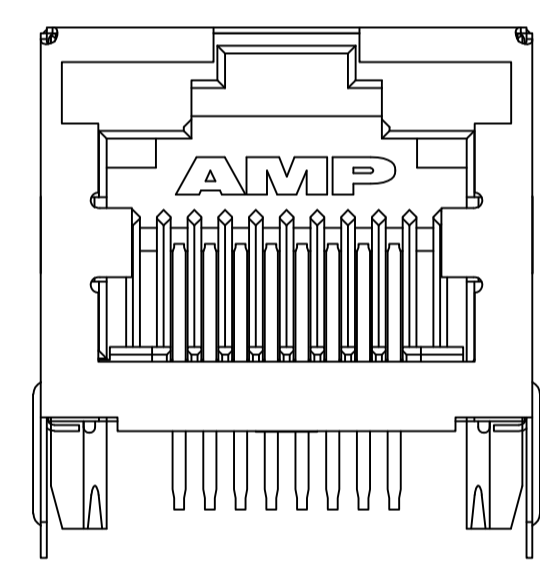
LOC		DIST		REVISIONS			
AA	00	P	LTR	DESCRIPTION	DATE	DWN	APVD
M9	ECR-12-006122				28MAR12	JJ	AC



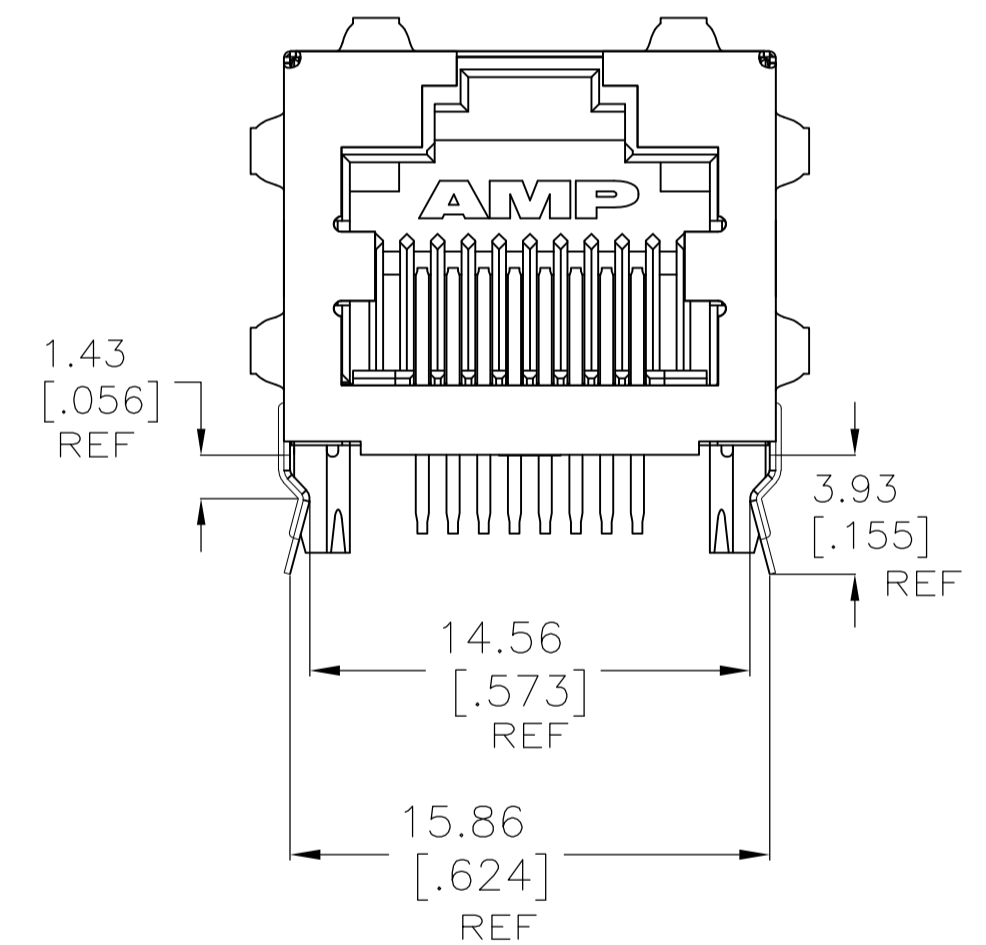
406541-1, -3, & -6  
1-406541-1, 1-3, 1-6 & 1-9

406541-4  
1-406541-4  
WITHOUT LOWER  
RIGHT PANEL GROUND

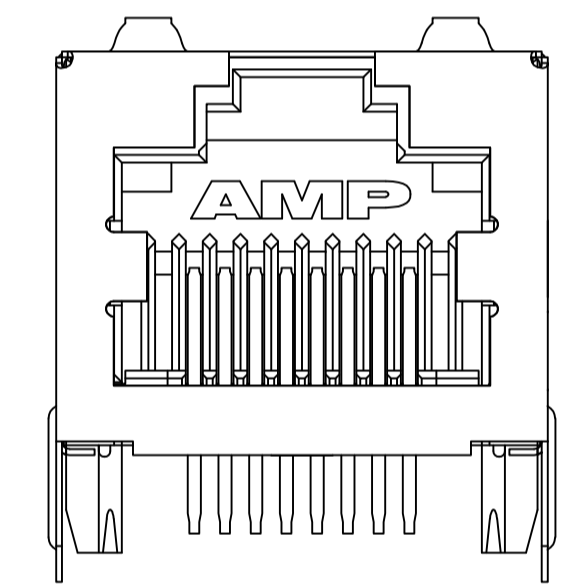
- MATERIAL:**  
 HOUSING - HIGH TEMPERATURE THERMOPLASTIC, COLOR: BLACK, UL94V-0  
 TERMINALS - 0.36[.014] THICK PHOS BRONZE PLATED WITH 3.81µm[.000150] MINIMUM THICK (SEE P/N TABLE) IN SOLDER AREA. 1.27µm[.000050] MINIMUM GOLD IN LOCALIZED PLATE AREA. ENTIRE TERMINAL PLATED WITH 1.27µm[.000050] MINIMUM THICK NICKEL.  
 SHIELD - 0.196[.0077] THICK COPPER ZINC ALLOY PREPLATED WITH 1.27µm[.000050] MINIMUM SATIN NICKEL WITH 2.03µm[.000080] MINIMUM TIN POST DIPPED ON PCB GROUND TABS.
2. JACK CAVITY CONFORMS TO FCC RULES AND REGULATIONS PART 68, SUBPART F.
3. SUGGESTED PANEL OPENING DIMENSIONS.
4. SUGGESTED CLEARANCE BETWEEN TOP OF CONNECTOR AND TOP PANEL OPENING.
5. ON 406541-4 & 1-406541-4 LOWER RIGHT HAND PANEL GROUND TAB IS NOT PRESENT.
6. MANUFACTURING DATE CODE: LOCATED APPROX. AS SHOWN. FIRST 2 DIGITS = LAST 2 DIGITS OF YEAR. NEXT 2 DIGITS = MANUFACTURING WORK WEEK, LAST DIGIT = DAY OF WEEK WITH SUNDAY = 1.
7. OBSOLETE PARTS: OBSOLETE CIS STREAMLINING PER D.RENAUD/D.SINISI



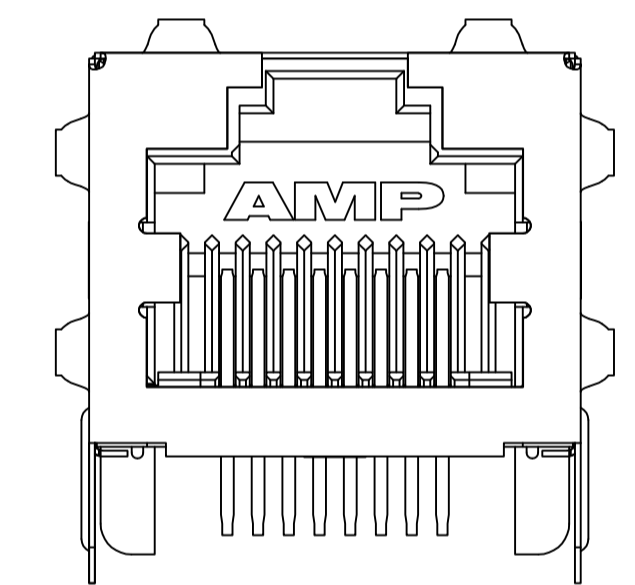
406541-5  
1-406541-5  
1-406541-8  
WITHOUT PANEL GROUNDS



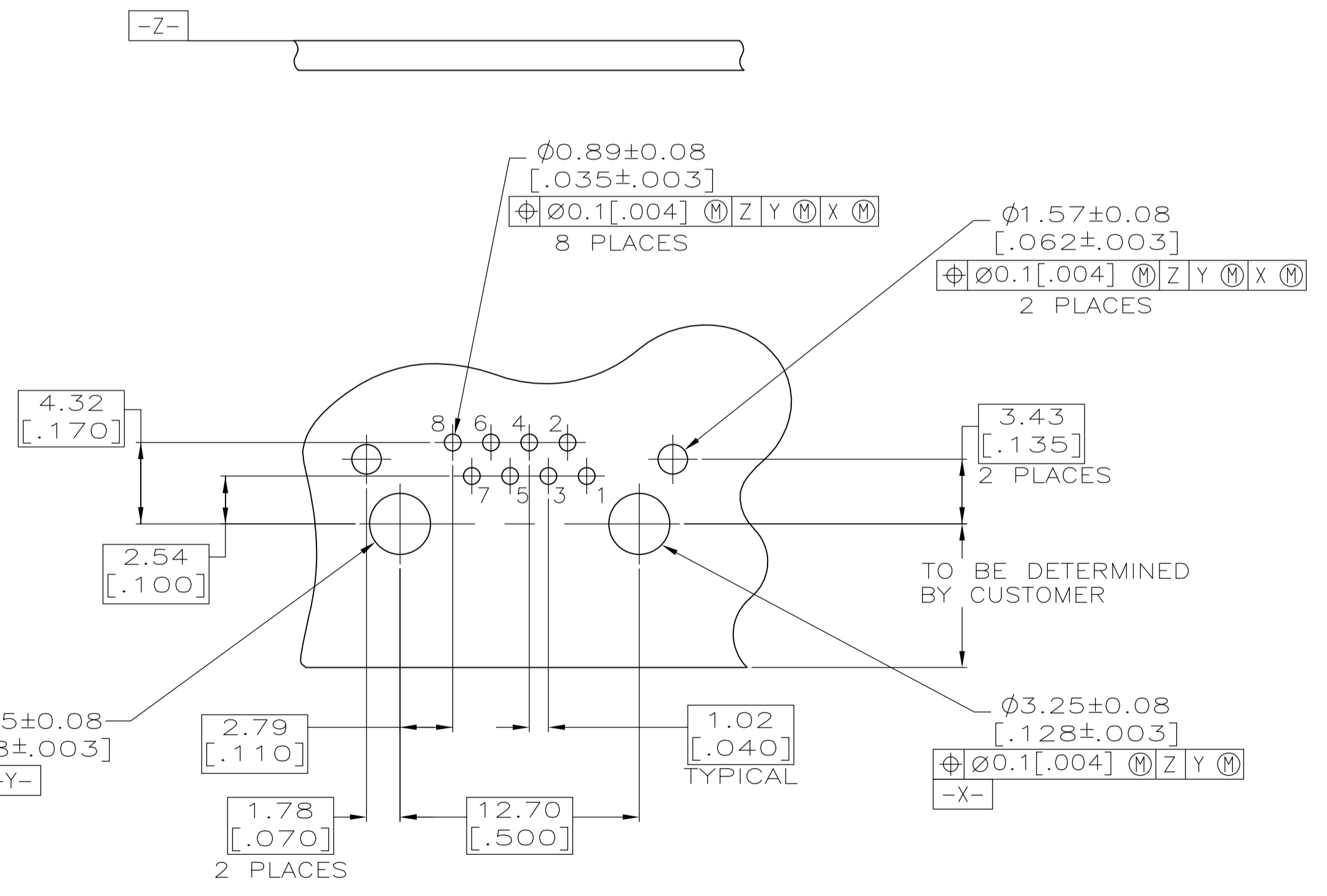
1-406541-7



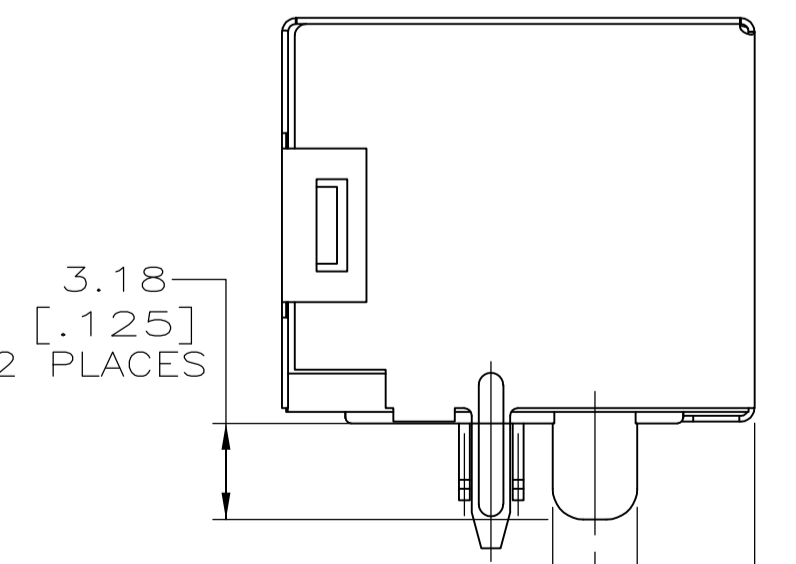
2-406541-1  
WITHOUT SIDE PANEL GROUND



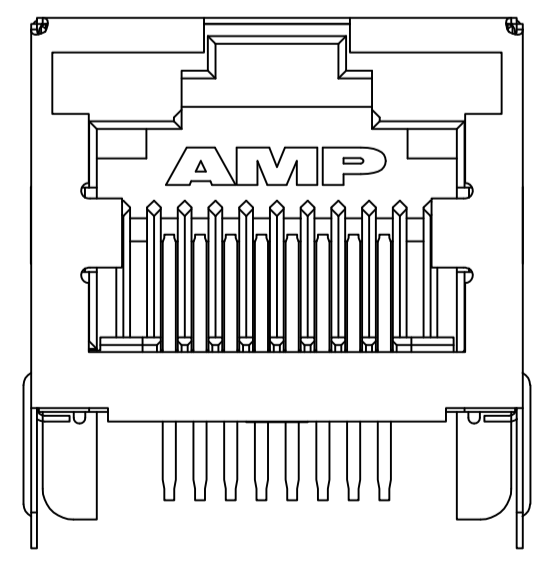
2-406541-3  
NARROW POST TYPE



SUGGESTED PRINTED CIRCUIT BOARD LAYOUT  
(COMPONENT SIDE)



2-406541-0, 2-2  
NARROW POST TYPE



8. OBSOLETE

9. OBSOLETE -3

TERMINAL PLATING	PACKAGING	PANEL GROUNDS	DIM A	PART NUMBER
MATTE TIN	TRAY	6	3.05[.120]	2-406541-3
	TRAY	0	2.54[.100]	2-406541-2
	TRAY	2	2.54[.100]	2-406541-1
	TAPE/REEL	0	2.54[.100]	2-406541-0
	TRAY	6	3.05[.120]	1-406541-9
	TAPE/REEL	0	2.54[.100]	1-406541-8
	TRAY	6	2.54[.100]	1-406541-7
	TRAY	6	3.56[.140]	1-406541-6
	TRAY	0	2.54[.100]	1-406541-5
	TRAY	5	2.54[.100]	1-406541-4
BRIGHT TIN-LEAD	TRAY	6	2.54[.100]	1-406541-1
	TRAY	6	3.56[.140]	406541-6
	TRAY	0	2.54[.100]	406541-5
	TRAY	5	2.54[.100]	406541-4
	TRAY	6	2.00[.079]	406541-3
	TRAY	6	2.54[.100]	406541-1

DIMENSIONS:		TOLERANCES UNLESS OTHERWISE SPECIFIED:		APPROVED		NAME	
mm	[INCHES]	0 PLC	±	DATE	BY	DATE	BY
		1 PLC	±	09JAN2008	TS/LAMAYER	09JAN2008	J.WESTMAN
		2 PLC	±				S.FLICKINGER
		3 PLC	± 0.25[.010]				
		4 PLC	±				
		ANGLES	±				

THIS DRAWING IS A CONTROLLED DOCUMENT.

MATERIAL: SEE TABLE FINISH: SEE TABLE WEIGHT: -- SIZE: A1 CASE CODE: 00779 DRAWING NO: 406541 RESTRICTED TO: --

CUSTOMER DRAWING SCALE: 4:1 SHEET 1 OF 1 REV. M9